

1

2

3



IBEX

IDAHO'S BEST EXTERIORS

A

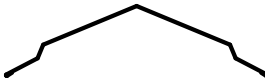
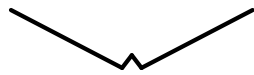
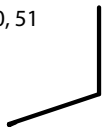
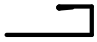
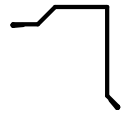

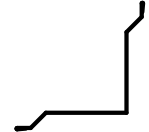
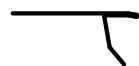



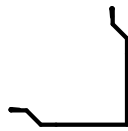


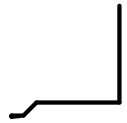
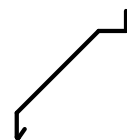
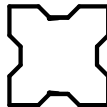
A

**CUSTOMER
CATALOG**

METAL ROOFING
SIDING & TRIM

**PANEL & TRIM
REFERENCE**

P: (208) 565-3002
www.ibexmetal.com
info@ibexmetal.com
282 GREAT NORTHERN RD
BONNERS FERRY, ID 83805

<p>RIDGE CAP ID: 01, 01R, ...</p> 	<p>VALLEY FLASHING ID: 02, 02B, ...</p> 	<p>PITCH BREAK/ ENDWALL ID: 04, 50, 51</p> 	<p>J-CHANNEL ID: 05, 05B, ...</p> 	<p>GABLE ID: 06, 06B, ...</p> 
<p>EAVE ID: 07</p> 	<p>INSIDE CORNER ID: 08</p> 	<p>DRIP EDGE ID: 09, 09B, ...</p> 	<p>POST TRIM ID: 10, 10B, ...</p> 	<p>RAT GUARD ID: 11, 11B</p> 
<p>SNOW GUARD ID: 12</p> 	<p>OUTSIDE CORNER ID: 14, 14R, ...</p> 	<p>WALL LITE ID: 15</p> 	<p>FJ ID: 16, 16B, 17</p> 	<p>ROOF TO WALL ID: 18</p> 
<p>TRACK COVER ID: 24</p> 	<p>POST WRAP ID: 30</p> 			

A

A

CUSTOMER CATALOG

METAL ROOFING
SIDING & TRIM

**COMMON TRIM
PROFILES**



P: (208) 565-3002
www.ibexmetal.com
info@ibexmetal.com

282 GREAT NORTHERN RD
BONNERS FERRY, ID 83805

CUSTOMER CATALOG

COVER

INDEX

i COMMON TRIM PROFILES

ii INDEX

PANELS

GR8 GR8 (AG PANEL)

BB BOARD & BATTEN (SIDING)

SL SNAPLOCK (STANDING SEAM)

SF SOFFIT

TRIM

01 RIDGE

01R RIDGE (RIBBED)

01B RIDGE (ARCH'L)

01C RIDGE (OVERSIZE)

02 VALLEY

02B VALLEY (JUMBO)

02C VALLEY (CLEATED)

02D VALLEY (CLEATED - JUMBO)

03 PROW FLASHING

04 PITCH BREAK

04B PITCH BREAK (JUMBO)

04C ENDWALL

04D ENDWALL (JUMBO)

04E SIDEWALL

04F SIDEWALL (JUMBO)

05 J-CHANNEL

05B J-CHANNEL (MINI)

05C J-CHANNEL (FULL WRAP)

05D J-CHANNEL (REVERSE - OVERSIZE)

06 GABLE (MINI)

06B GABLE (MINI MINI)

06C GABLE (OVERSIZE)

06D GABLE (STANDING SEAM)

07 EAVE (MINI)

07B EAVE (STANDING SEAM)

08 I/S CORNER

08B I/S CORNER (ARCH'L)

08E I/S CORNER (TRIM FIRST)

09 DRIP EDGE

09B DRIP EDGE B

09C DRIP EDGE C

10 POST TRIM

10B POST TRIM B

10C FASCIA

10R FASCIA (RIBBED)

10D INSIDE ANGLE

11 RAT GUARD

11B RAT GUARD (FAT)

12 SNOW GUARD

12B SNOW GUARD (MINI)

13 L BASE

14 O/S CORNER

14R O/S CORNER (RIBBED)

14B O/S CORNER (OVERSIZE)

14C O/ CORNER (MINI)

14D O/S CORNER (ARCH'L)

14E O/S CORNER (TRIM FIRST)

15 WALL LITE

16 FJ

16B FJ (MINI)

16C FJTRIM (FULL WRAP)

16D FJTRIM (MINI - FULL WRAP)

17 FJ (POST)

18 SIDEWALL

19 B & B CLEAT

20 Z TRIM

20B Z TRIM B

21 RAKE/GABLE (TYLER)

22 RAKE/GABLE (ARCH'L)

23 EAVE (ARCH'L)

24 TRACK COVER

25 UNIVERSAL

26 OFFSET CLEAT

27 POST/DOOR TRIM (ARCH'L)

28 WIN/DOOR TRIM (ARCH'L)

29 BOARD BAND

304 POST WRAP (4x4)

305 POST WRAP (3x STUDS)

306 POST WRAP (6x6)

31 PEAK FLASHING (SINGLE SLOPE)

50 ENDWALL (TRIM FIRST)

50B ENDWALL (STANDING SEAM)

51 PITCH BREAK (TRIM FIRST)

524 RIDGE 4:12 (TRIM FIRST)

528 RIDGE 8:12 (TRIM FIRST)

5212 RIDGE 12:12 (TRIM FIRST)

A

A

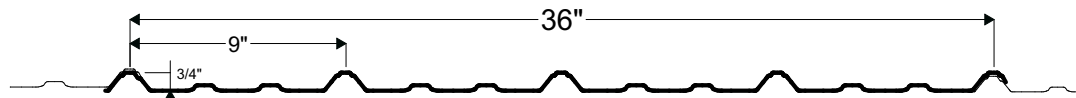
**CUSTOMER
CATALOG**METAL ROOFING
SIDING & TRIM**CUSTOMER CATALOG
INDEX**P: (208) 565-3002
www.ibexmetal.com
info@ibexmetal.com282 GREAT NORTHERN RD
BONNERS FERRY, ID 83805

1

2

3

FRACTIONS ROUNDED TO NEAREST 1/16"
REVISED: 7/7/2022



- Available with CONDENSTOP®
- No MIN or MAX length requirements
- 36" coverage
- MIN roof pitch of 2.5:12 recommended

A **A1** Profile Section Detail
Scale: 1 1/2"= 1'-0"

A

PANEL GR8

CUSTOMER CATALOG

METAL ROOFING SIDING & TRIM

Product ID : GR8/GR8WCS

Name : **GR8 (AG PANEL)**

Description : Roof and Wall Panel



P: (208) 565-3002
www.ibexmetal.com
info@ibexmetal.com

282 GREAT NORTHERN RD
BONNERS FERRY, ID 83805

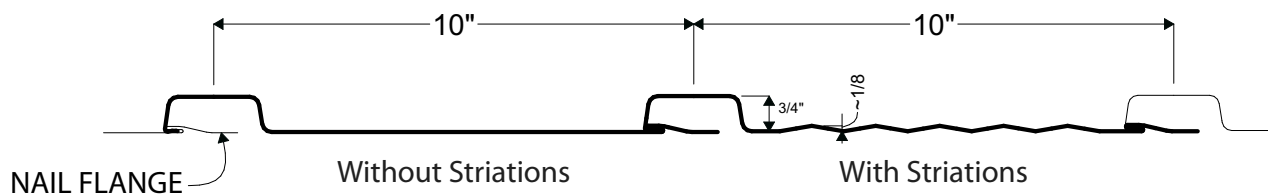
IDAHO'S BEST EXTERIORS

1

2

3

FRACTIONS ROUNDED TO NEAREST 1/16"
REVISED: 7/7/2022



- **36^{1/2}" MIN length**
- **No MAX length**
- **10" coverage**
- **Striations reduce oil canning**

A **A1** Profile Section Detail
Scale: 3" = 1'-0"

A

PANEL BB

CUSTOMER CATALOG

METAL ROOFING SIDING & TRIM

Product ID : BB/BBWS

Name : **BOARD & BATTEN PANEL**

Description : Siding Panel - Concealed Fastener



P: (208) 565-3002
www.ibexmetal.com
info@ibexmetal.com

282 GREAT NORTHERN RD
BONNERS FERRY, ID 83805

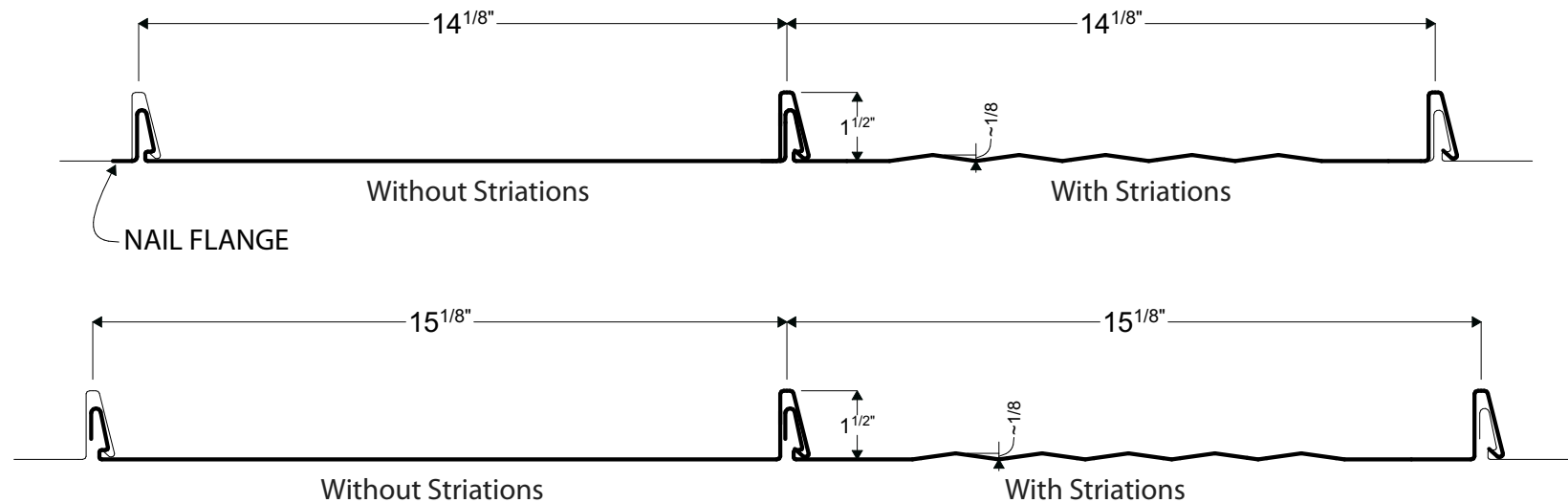
IDAHO'S BEST EXTERIORS

1

2

3

FRACTIONS ROUNDED TO NEAREST 1/16"
 REVISED: 7/7/2022



- Available in 22 - 26 ga.
- No MIN or MAX length requirements
- 14 1/8" coverage with concealed Nail Flange
- 15 1/8" coverage w/o Nail Flange
- Striations recommended to reduce oil canning

A

A1 Profile Section Detail
 Scale: 3" = 1'-0"

A

CUSTOMER CATALOG

METAL ROOFING
 SIDING & TRIM

Product ID : SL/SLWS

Name : SNAPLOCK PANEL

Description : Roof Panel - Standing Seam



P: (208) 565-3002
 www.ibexmetal.com
 info@ibexmetal.com

282 GREAT NORTHERN RD
 BONNERS FERRY, ID 83805

PANEL SL

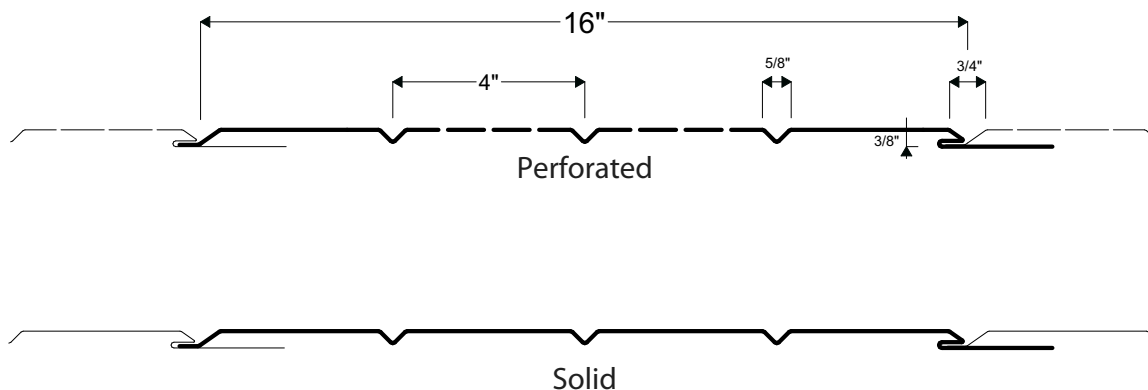
IDAHO'S BEST EXTERIORS

1

2

3

FRACTIONS ROUNDED TO NEAREST 1/16"
REVISED: 7/7/2022



- Use perforated for ventilated soffit
- 16" coverage
- Concealed Fastener

A A1 Profile Section Detail
Scale: 3" = 1'-0"

A

PANEL SF

CUSTOMER CATALOG

METAL ROOFING SIDING & TRIM

Product ID : SF/SFP

Name : SOFFIT PANEL

Description : Soffit Panel



P: (208) 565-3002
www.ibexmetal.com
info@ibexmetal.com

282 GREAT NORTHERN RD
BONNERS FERRY, ID 83805

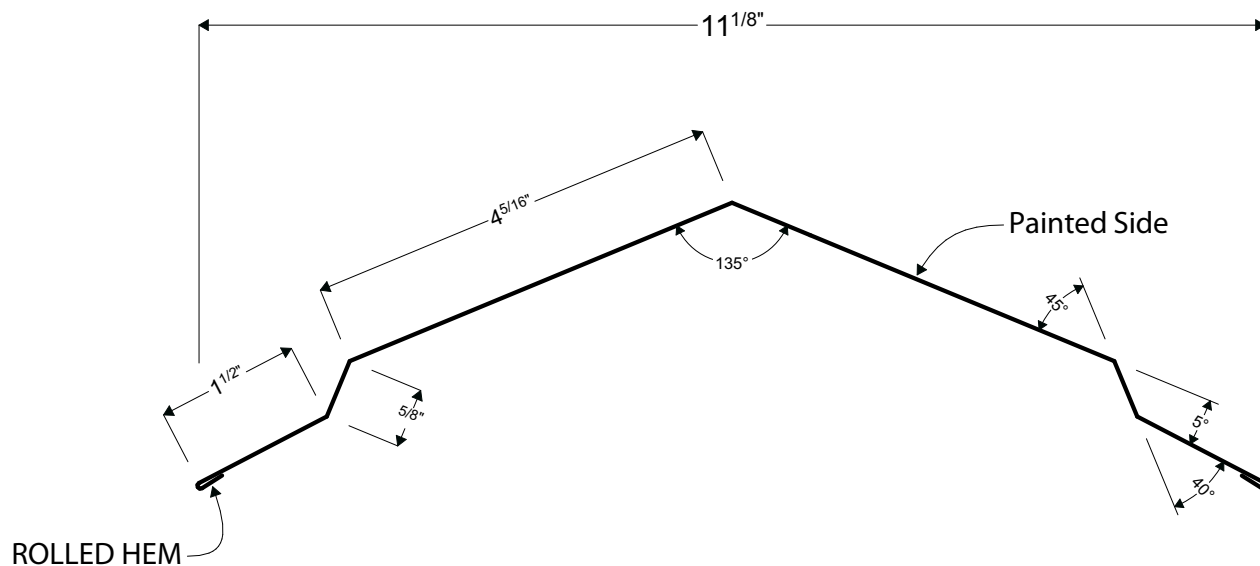
IDAHO'S BEST EXTERIORS

1

2

3

FRACTIONS ROUNDED TO NEAREST 1/16"
 REVISED: 7/7/2022



A

A1 Profile Section Detail
 Scale: 6" = 1'-0"

A

CUSTOMER CATALOG

METAL ROOFING
 SIDING & TRIM

Product ID : 01

Name : RIDGE CAP

Description : Ridge Cap for Roofing (Rolled)



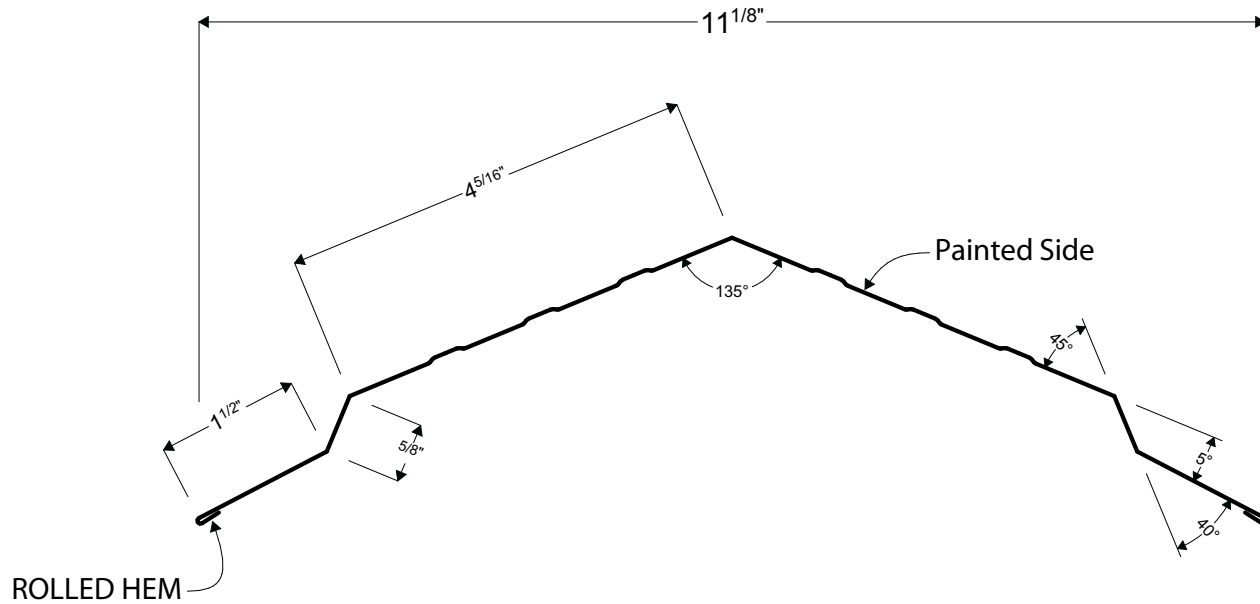
P: (208) 565-3002
www.ibexmetal.com
info@ibexmetal.com

282 GREAT NORTHERN RD
 BONNERS FERRY, ID 83805

TRIM 01

IDAHO'S BEST EXTERIORS

FRACTIONS ROUNDED TO NEAREST 1/16"
 REVISED: 7/7/2022



A **A1** Profile Section Detail
 Scale: 6" = 1'-0"

A

TRIM 01R

IDAHO'S BEST EXTERIORS

CUSTOMER CATALOG

METAL ROOFING
 SIDING & TRIM

Product ID :

01R

Name :

RIDGE CAP - RIBBED

Description :

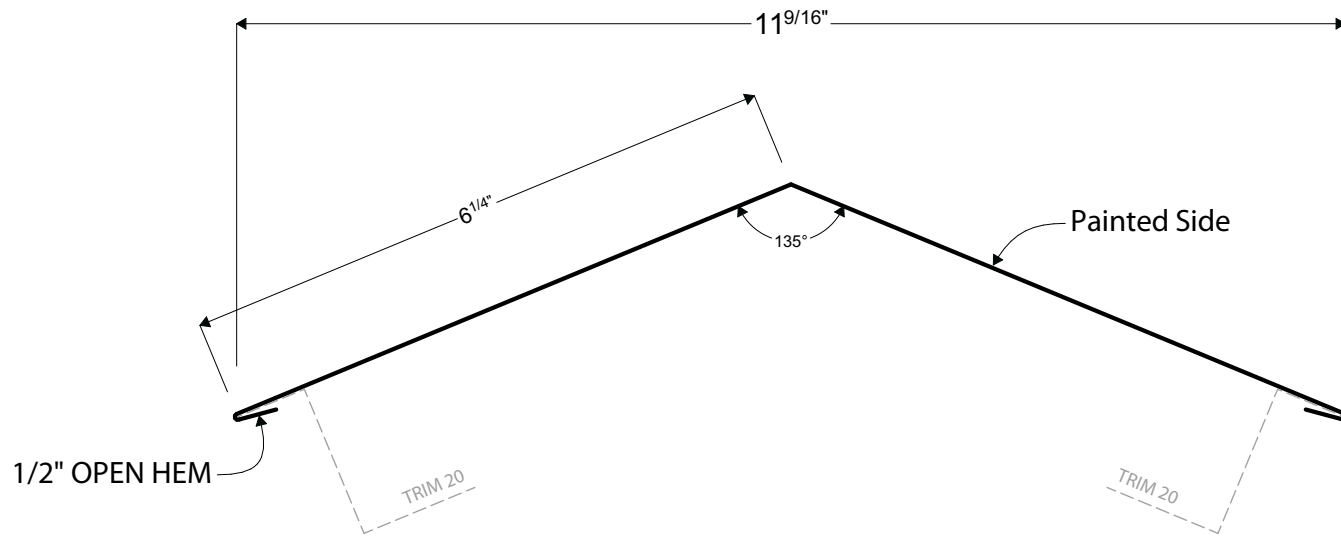
Ribbed Ridge Cap for Roofing (Rolled)



P: (208) 565-3002
www.ibexmetal.com
info@ibexmetal.com

282 GREAT NORTHERN RD
 BONNERS FERRY, ID 83805

FRACTIONS ROUNDED TO NEAREST 1/16"
 REVISED: 7/7/2022



ARCHITECTURAL SERIES

A **A1** Profile Section Detail
 Scale: 6" = 1'-0"

A

CUSTOMER CATALOG

METAL ROOFING
 SIDING & TRIM

<i>Product ID :</i>	01B
<i>Name :</i>	RIDGE CAP - ARCHITECTURAL
<i>Description :</i>	Ridge Cap for Concealed Fastener Roofing



P: (208) 565-3002
 www.ibexmetal.com
 info@ibexmetal.com

282 GREAT NORTHERN RD
 BONNERS FERRY, ID 83805

TRIM 01B

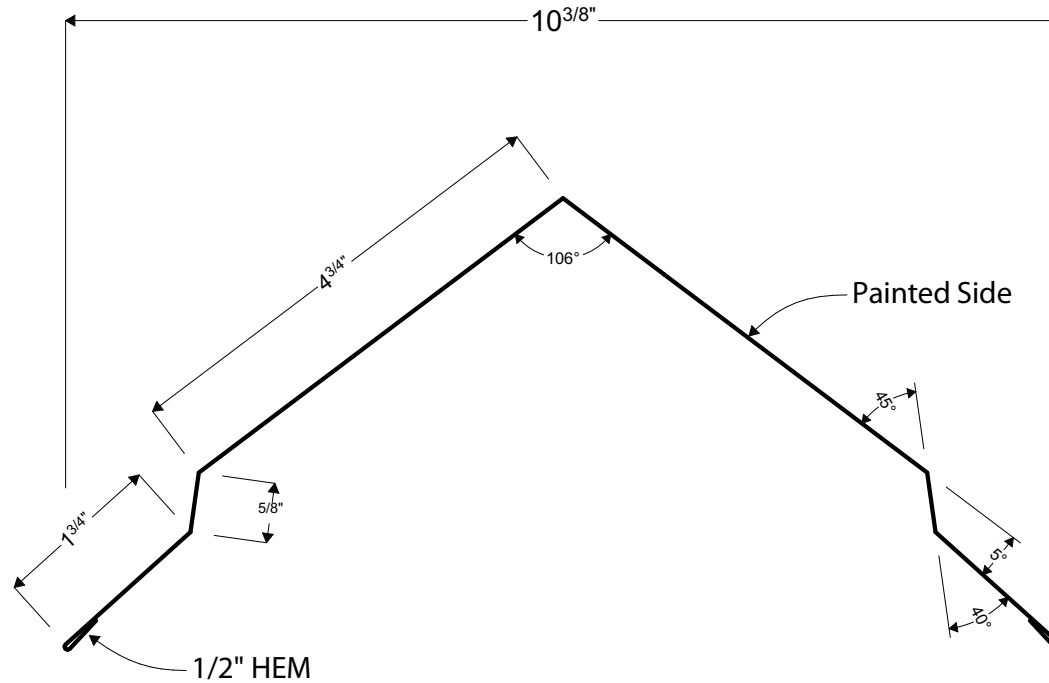
IDAHO'S BEST EXTERIORS

1

2

3

FRACTIONS ROUNDED TO NEAREST 1/16"
REVISED: 7/7/2022



A **A1** Profile Section Detail
Scale: 6" = 1'-0"

A

TRIM 01C

IDAHO'S BEST EXTERIORS

CUSTOMER CATALOG

METAL ROOFING SIDING & TRIM

Product ID : 01C

Name : **RIDGE CAP (OVERSIZE 10/12)**

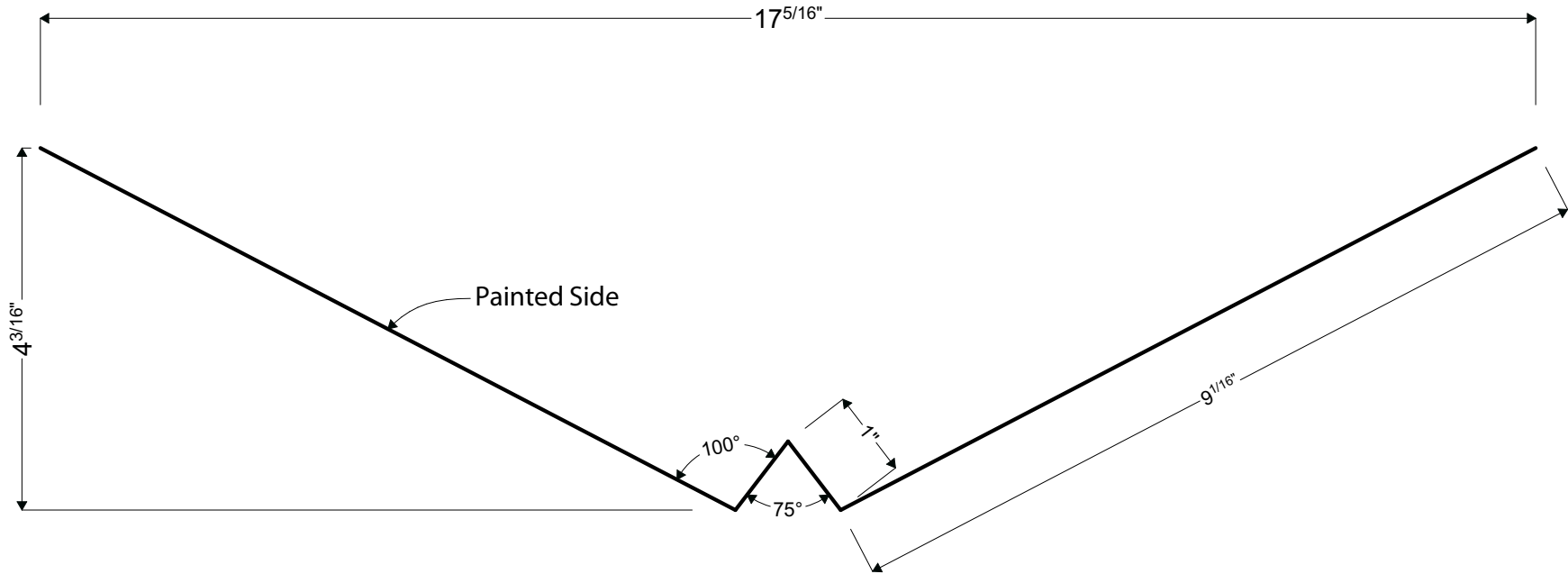
Description : Oversize Ridge Cap for Roofing



P: (208) 565-3002
www.ibexmetal.com
info@ibexmetal.com

282 GREAT NORTHERN RD
BONNERS FERRY, ID 83805

FRACTIONS ROUNDED TO NEAREST 1/16"
 REVISED: 7/7/2022



A **A1** Profile Section Detail
 Scale: 6" = 1'-0"

A

CUSTOMER CATALOG

METAL ROOFING
 SIDING & TRIM

Product ID :	02
Name :	VALLEY
Description :	Valley Flashing



IBEX

P: (208) 565-3002
 www.ibexmetal.com
 info@ibexmetal.com

282 GREAT NORTHERN RD
 BONNERS FERRY, ID 83805

TRIM 02

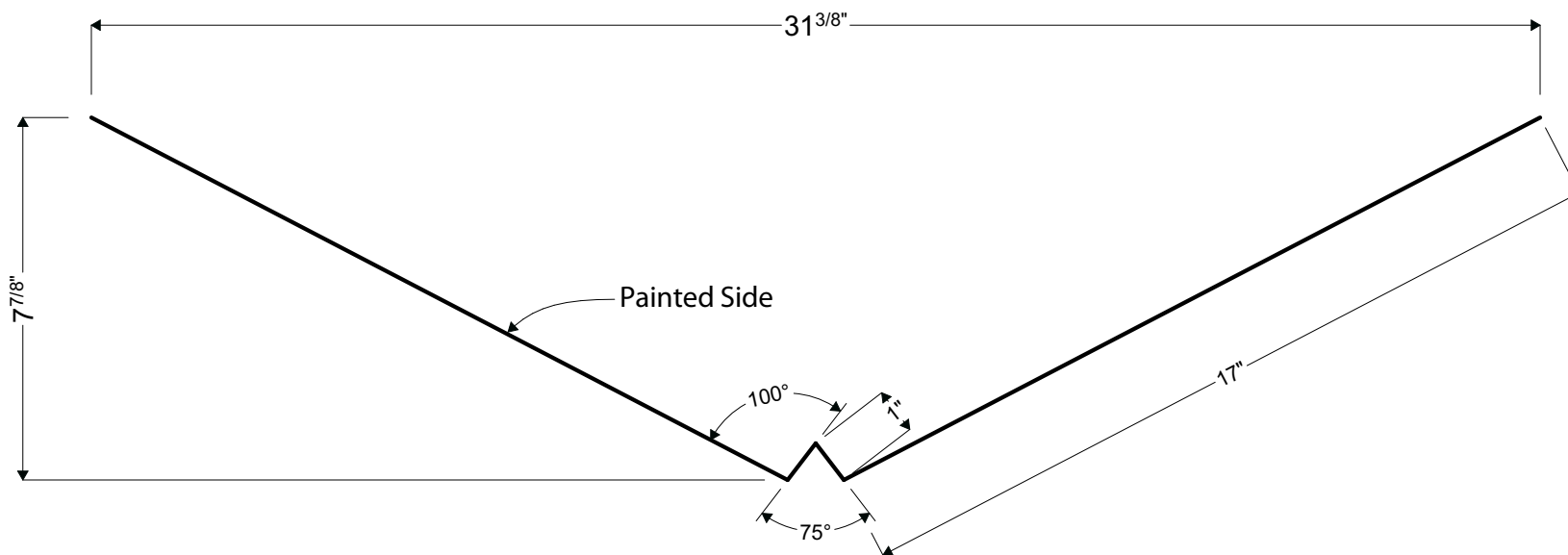
IDAHO'S BEST EXTERIORS

1

2

3

FRACTIONS ROUNDED TO NEAREST 1/16"
REVISED: 7/7/2022



A **A1** Profile Section Detail
Scale: 3" = 1'-0"

A

TRIM 02B

CUSTOMER CATALOG

METAL ROOFING SIDING & TRIM

Product ID : 02B

Name : **JUMBO VALLEY**

Description : Extra Wide Valley Flashing

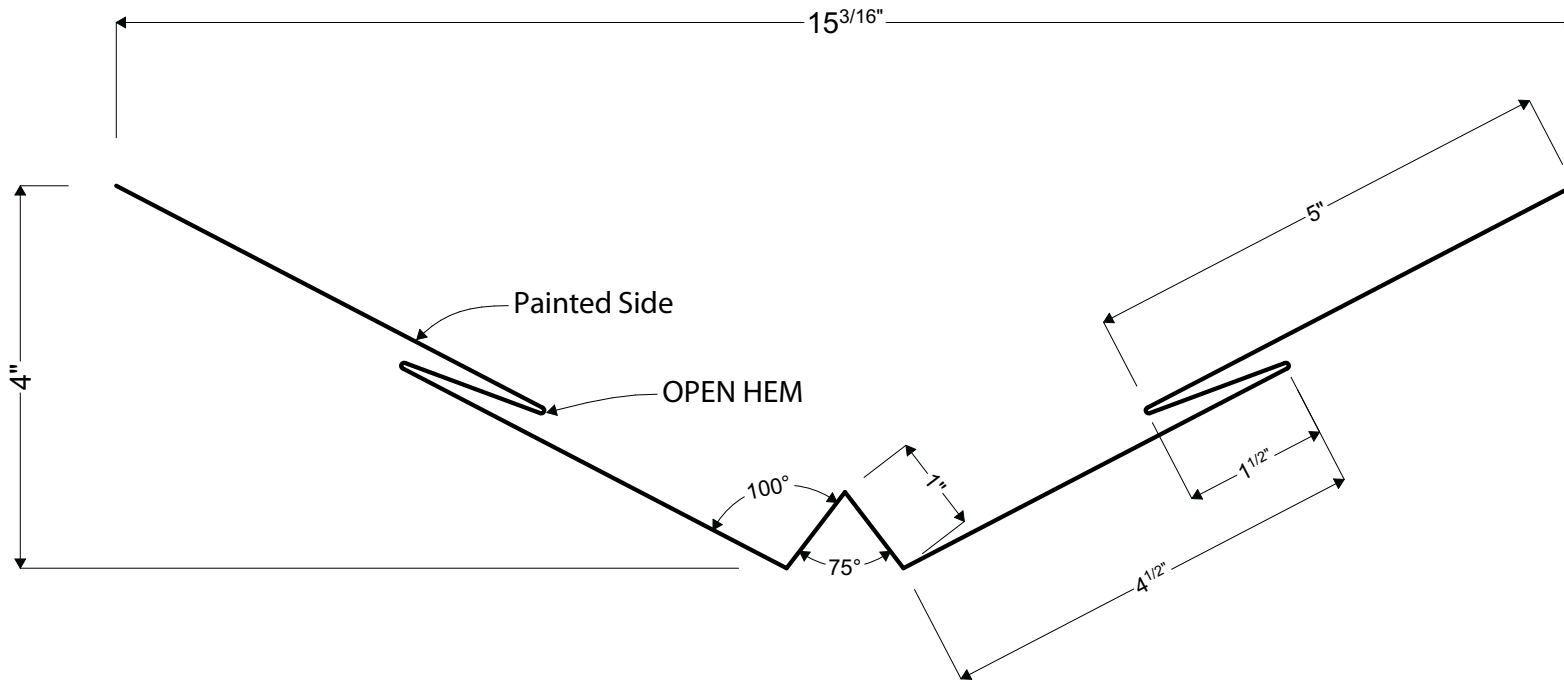


P: (208) 565-3002
www.ibexmetal.com
info@ibexmetal.com

282 GREAT NORTHERN RD
BONNERS FERRY, ID 83805

IDAHO'S BEST EXTERIORS

FRACTIONS ROUNDED TO NEAREST 1/16"
 REVISED: 7/7/2022



ARCHITECTURAL SERIES

A **A1** Profile Section Detail
 Scale: 6" = 1'-0"

A

**CUSTOMER
 CATALOG**

METAL ROOFING
 SIDING & TRIM

<i>Product ID :</i>	02C
<i>Name :</i>	CLEATED VALLEY
<i>Description :</i>	Valley Flashing for Concealed Fastener



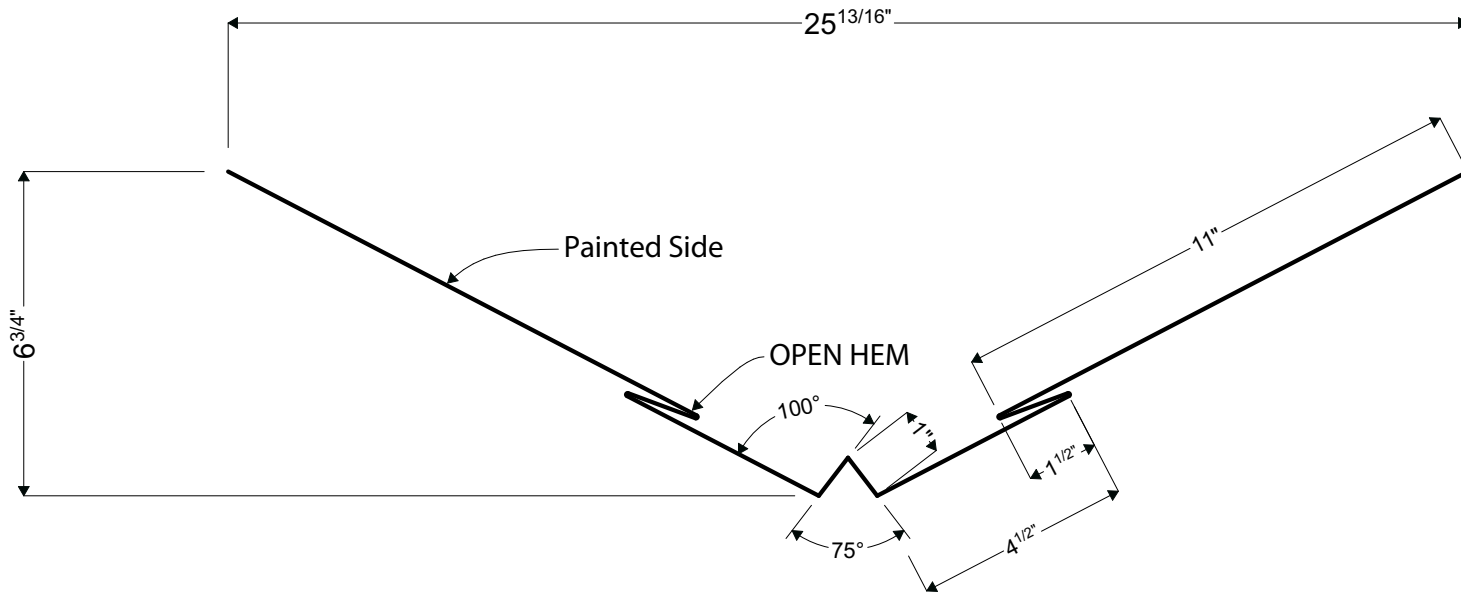
P: (208) 565-3002
 www.ibexmetal.com
 info@ibexmetal.com

282 GREAT NORTHERN RD
 BONNERS FERRY, ID 83805

TRIM 02C

IDAHO'S BEST EXTERIORS

FRACTIONS ROUNDED TO NEAREST 1/16"
 REVISED: 7/7/2022



ARCHITECTURAL SERIES

A **A1** Profile Section Detail
 Scale: 3" = 1'-0"

A

CUSTOMER CATALOG

METAL ROOFING
 SIDING & TRIM

<i>Product ID :</i>	02D
<i>Name :</i>	JUMBO CLEATED VALLEY
<i>Description :</i>	Extra Wide Valley for Concealed Fastener



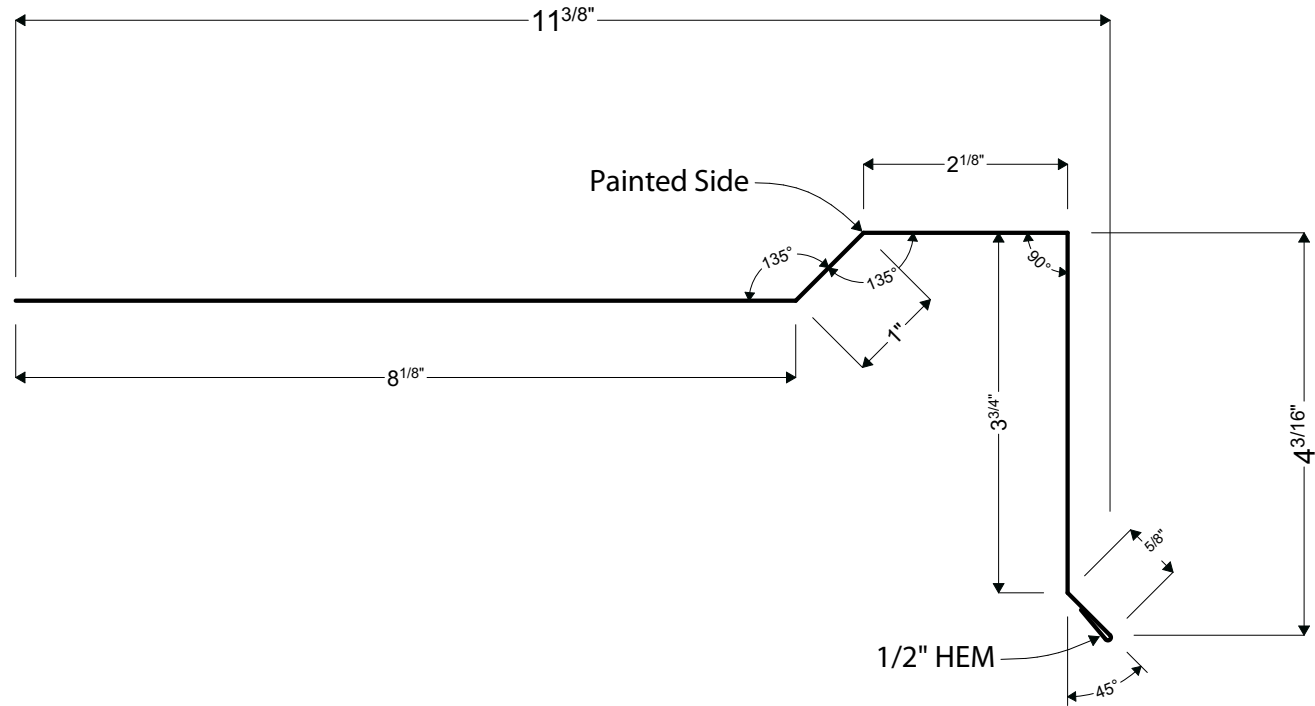
P: (208) 565-3002
 www.ibexmetal.com
 info@ibexmetal.com

282 GREAT NORTHERN RD
 BONNERS FERRY, ID 83805

TRIM 02D

IDAHO'S BEST EXTERIORS

FRACTIONS ROUNDED TO NEAREST 1/16"
 REVISED: 7/7/2022



A **A1** Profile Section Detail
 Scale: 6" = 1'-0"

A

TRIM 03

IDAHO'S BEST EXTERIORS

CUSTOMER CATALOG

METAL ROOFING
 SIDING & TRIM

Product ID : 03

Name : **PROW FLASHING**

Description : Trim/Flashing for Angled (Prow) Gable



P: (208) 565-3002
 www.ibexmetal.com
 info@ibexmetal.com

282 GREAT NORTHERN RD
 BONNERS FERRY, ID 83805

FRACTIONS ROUNDED TO NEAREST 1/16"
 REVISED: 7/7/2022

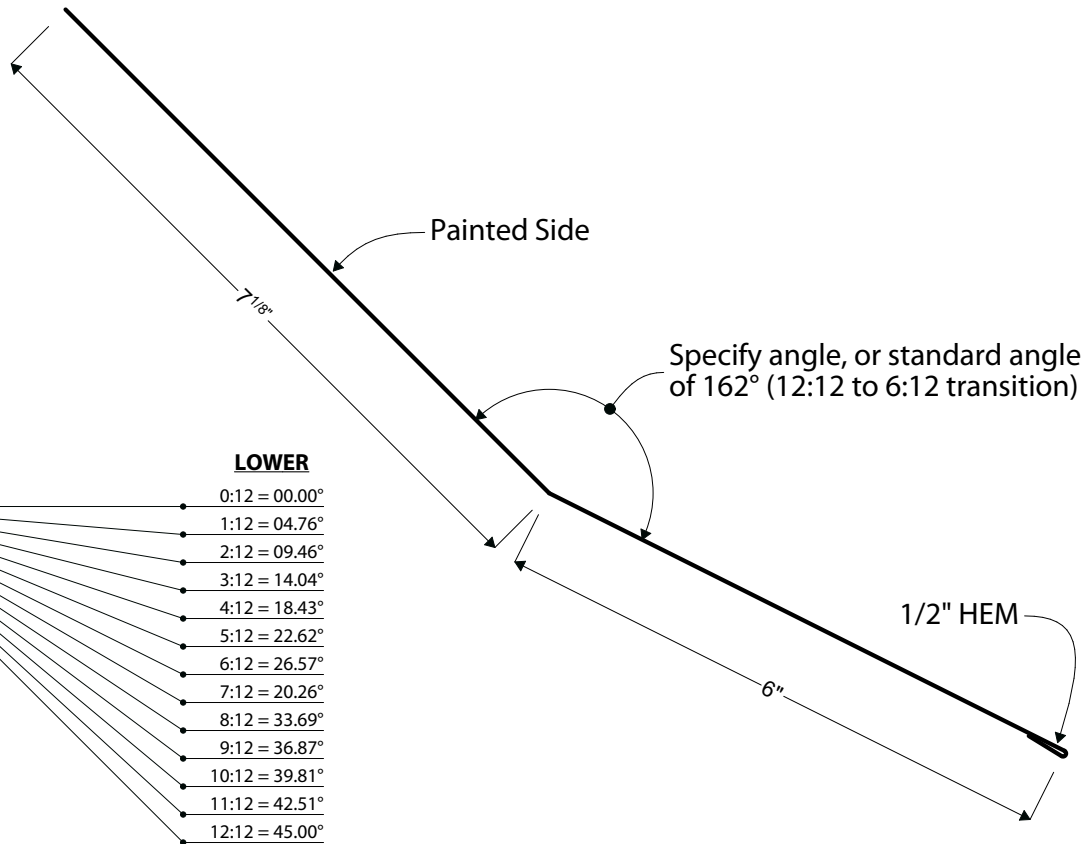
UPPER

- 12:12 = 135.00°
- 11:12 = 137.49°
- 10:12 = 140.19°
- 9:12 = 143.13°
- 8:12 = 146.31°
- 7:12 = 159.74°
- 6:12 = 153.43°
- 5:12 = 157.38°
- 4:12 = 161.57°
- 3:12 = 165.96°
- 2:12 = 170.54°
- 1:12 = 175.24°
- 0:12 = 180.00°

LOWER

- 0:12 = 00.00°
- 1:12 = 04.76°
- 2:12 = 09.46°
- 3:12 = 14.04°
- 4:12 = 18.43°
- 5:12 = 22.62°
- 6:12 = 26.57°
- 7:12 = 20.26°
- 8:12 = 33.69°
- 9:12 = 36.87°
- 10:12 = 39.81°
- 11:12 = 42.51°
- 12:12 = 45.00°

PITCH BREAK FLASHING ANGLES:
 UPPER ANGLE° + LOWER ANGLE° = PITCH BREAK ANGLE°



A **A1** Profile Section Detail
 Scale: 6" = 1'-0"

A

CUSTOMER CATALOG

METAL ROOFING
 SIDING & TRIM

Product ID : 04

Name : **PITCH BREAK (TRANSITION)**

Description : Pitch Break Transition



P: (208) 565-3002
 www.ibexmetal.com
 info@ibexmetal.com

282 GREAT NORTHERN RD
 BONNERS FERRY, ID 83805

TRIM 04

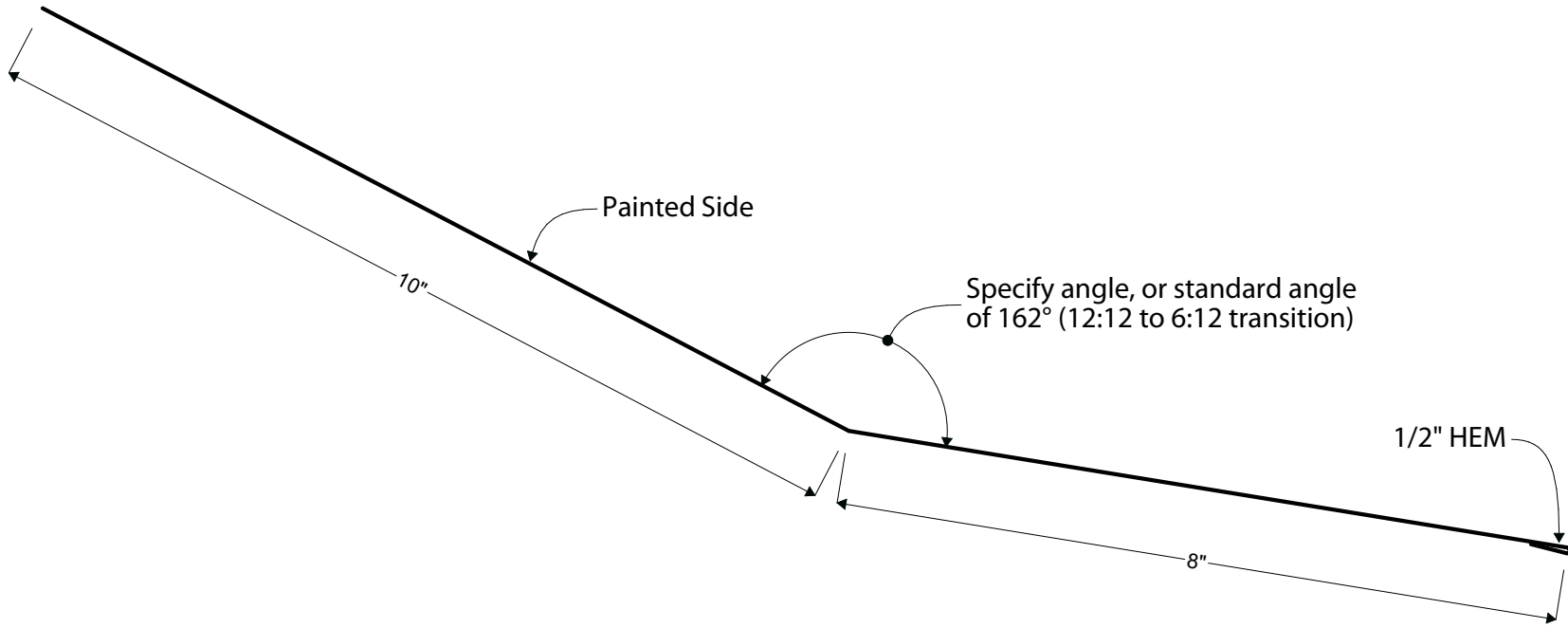
IDAHO'S BEST EXTERIORS

1

2

3

FRACTIONS ROUNDED TO NEAREST 1/16"
REVISED: 7/7/2022



A **A1** Profile Section Detail
Scale: 6" = 1'-0"

A

TRIM 04B

IDAHO'S BEST EXTERIORS

CUSTOMER CATALOG

METAL ROOFING SIDING & TRIM

Product ID : 04B

Name : **JUMBO PITCH BREAK (TRANSITION)**

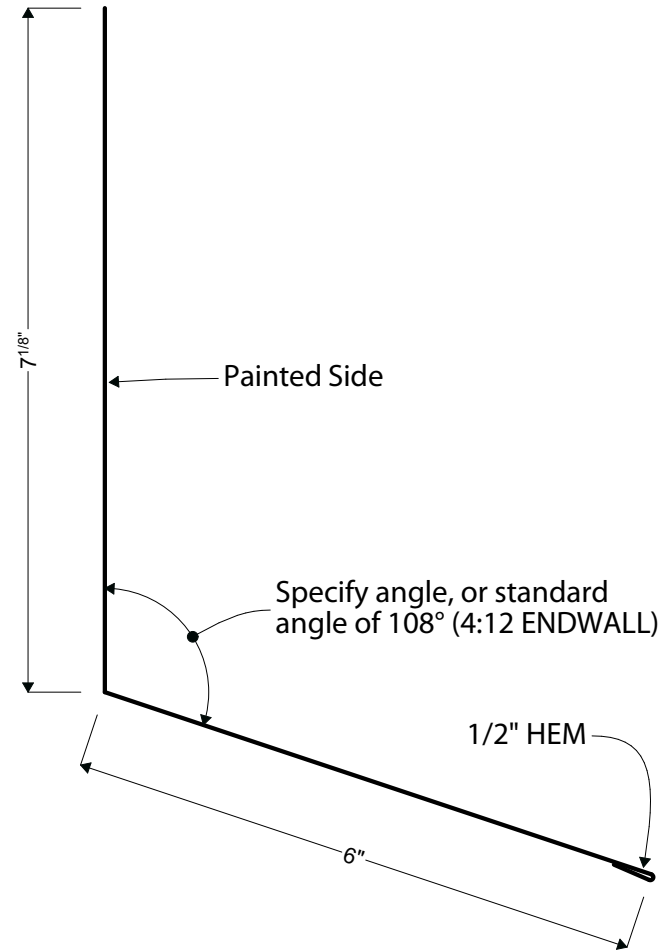
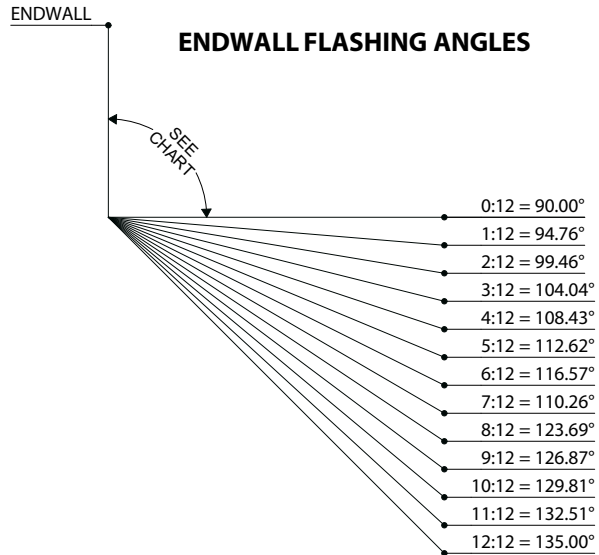
Description : Jumbo Pitch Break



P: (208) 565-3002
www.ibexmetal.com
info@ibexmetal.com

282 GREAT NORTHERN RD
BONNERS FERRY, ID 83805

FRACTIONS ROUNDED TO NEAREST 1/16"
 REVISED: 7/7/2022



A **A1** Profile Section Detail
 Scale: 6" = 1'-0"

A

TRIM 04C

IDAHO'S BEST EXTERIORS

CUSTOMER CATALOG

METAL ROOFING
 SIDING & TRIM

Product ID : 04C

Name : **ENDWALL**

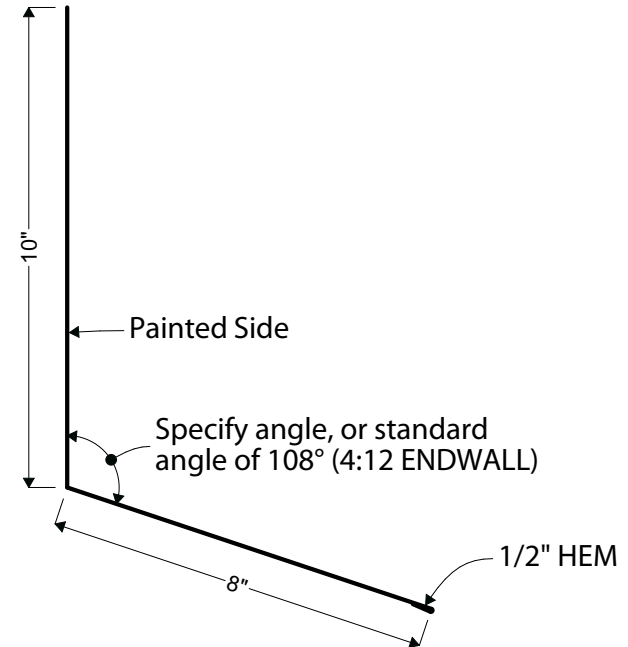
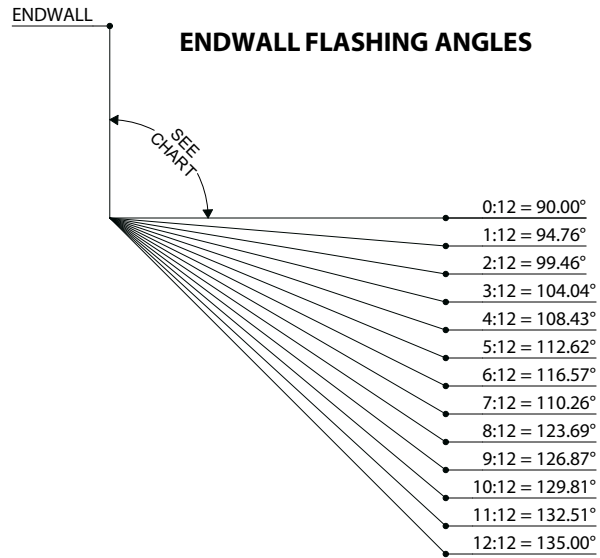
Description : Endwall flashing



P: (208) 565-3002
 www.ibexmetal.com
 info@ibexmetal.com

282 GREAT NORTHERN RD
 BONNERS FERRY, ID 83805

FRACTIONS ROUNDED TO NEAREST 1/16"
 REVISED: 8/17/2022



A **A1** Profile Section Detail
 Scale: 3" = 1'-0"

A

TRIM 04D

IDAHO'S BEST EXTERIORS

CUSTOMER CATALOG

METAL ROOFING
 SIDING & TRIM

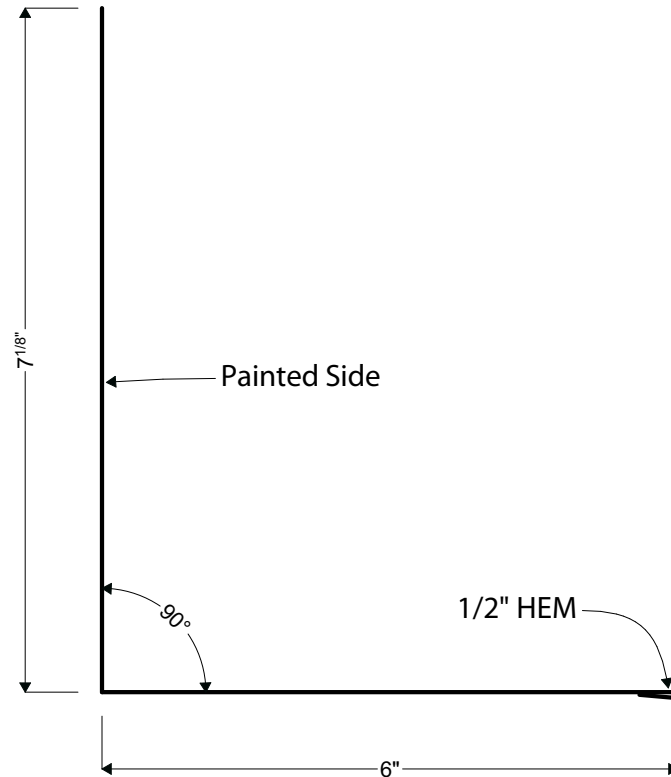
Product ID :	04D
Name :	JUMBO ENDWALL
Description :	Jumbo Endwall Flashing



P: (208) 565-3002
www.ibexmetal.com
info@ibexmetal.com

282 GREAT NORTHERN RD
 BONNERS FERRY, ID 83805

FRACTIONS ROUNDED TO NEAREST 1/16"
 REVISED: 8/17/2022



A **A1** Profile Section Detail
 Scale: 6" = 1'-0"

A

TRIM 04E

IDAHO'S BEST EXTERIORS

CUSTOMER CATALOG

METAL ROOFING
 SIDING & TRIM

Product ID : 04E

Name : **SIDEWALL**

Description : Sidewall flashing



P: (208) 565-3002
www.ibexmetal.com
info@ibexmetal.com

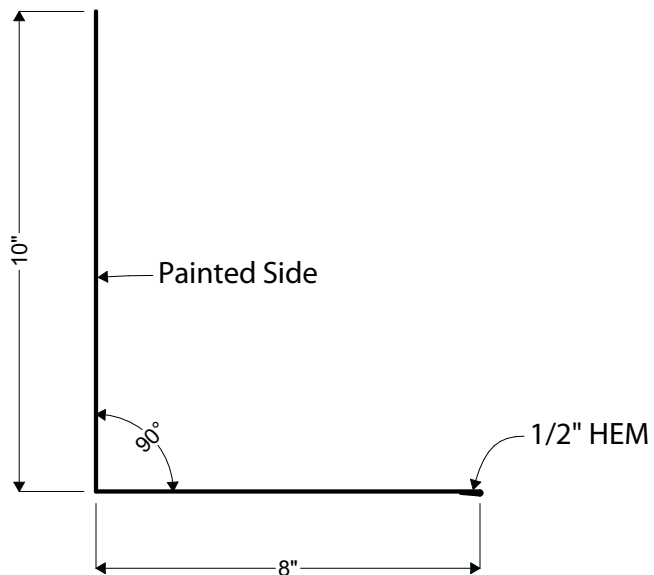
282 GREAT NORTHERN RD
 BONNERS FERRY, ID 83805

1

2

3

FRACTIONS ROUNDED TO NEAREST 1/16"
REVISED: 8/17/2022



A **A1** Profile Section Detail
Scale: 3" = 1'-0"

A

TRIM 04F

CUSTOMER CATALOG

METAL ROOFING SIDING & TRIM

Product ID : 04F

Name : **JUMBO SIDEWALL**

Description : Jumbo Sidewall Flashing



P: (208) 565-3002
www.ibexmetal.com
info@ibexmetal.com

282 GREAT NORTHERN RD
BONNERS FERRY, ID 83805

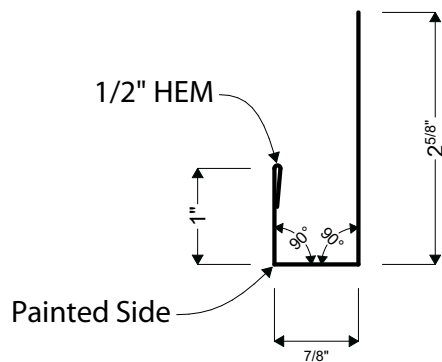
IDAHO'S BEST EXTERIORS

1

2

3

FRACTIONS ROUNDED TO NEAREST 1/16"
REVISED: 7/7/2022



A

A1 Profile Section Detail
Scale: 6" = 1'-0"

A

TRIM 05

CUSTOMER CATALOG

METAL ROOFING SIDING & TRIM

Product ID : 05

Name : **J-CHANNEL**

Description : J-Channel Trim



P: (208) 565-3002
www.ibexmetal.com
info@ibexmetal.com

282 GREAT NORTHERN RD
BONNERS FERRY, ID 83805

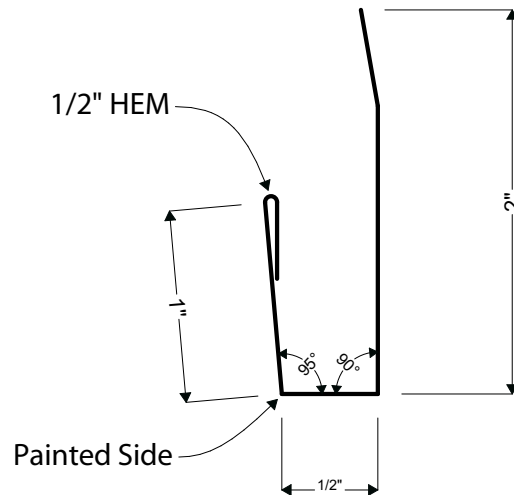
IDAHO'S BEST EXTERIORS

1

2

3

FRACTIONS ROUNDED TO NEAREST 1/16"
REVISED: 7/7/2022



A

A1 Profile Section Detail
Scale: 1' = 1'-0"

A

TRIM 05B

CUSTOMER CATALOG

METAL ROOFING SIDING & TRIM

Product ID : 05B

Name : **MINI J-CHANNEL**

Description : Small J-Channel - Typically used with Soffit

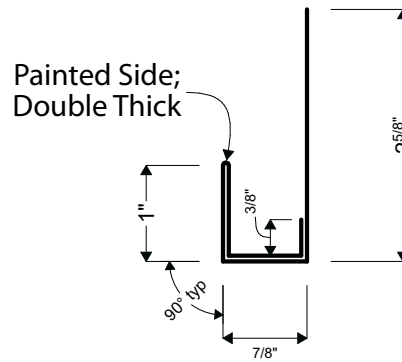


P: (208) 565-3002
www.ibexmetal.com
info@ibexmetal.com

282 GREAT NORTHERN RD
BONNERS FERRY, ID 83805

IDAHO'S BEST EXTERIORS

FRACTIONS ROUNDED TO NEAREST 1/16"
 REVISED: 8/17/2022



ARCHITECTURAL SERIES

A **A1** Profile Section Detail
 Scale: 6" = 1'-0"

A

TRIM 05C

IDAHO'S BEST EXTERIORS

CUSTOMER CATALOG

METAL ROOFING
 SIDING & TRIM

Product ID : 05C

Name : **FULL WRAP J-CHANNEL**

Description : 2-Sided J-Channel



P: (208) 565-3002
www.ibexmetal.com
info@ibexmetal.com

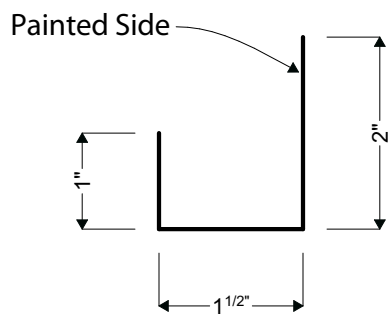
282 GREAT NORTHERN RD
 BONNERS FERRY, ID 83805

1

2

3

FRACTIONS ROUNDED TO NEAREST 1/16"
REVISED: 7/7/2022



ARCHITECTURAL SERIES

A **A1** Profile Section Detail
Scale: 6" = 1'-0"

A

TRIM 05D

CUSTOMER CATALOG

METAL ROOFING SIDING & TRIM

Product ID :

05D

Name :

REVERSE OVERSIZE J-CHANNEL

Description :

Large J-Channel with Color Inside

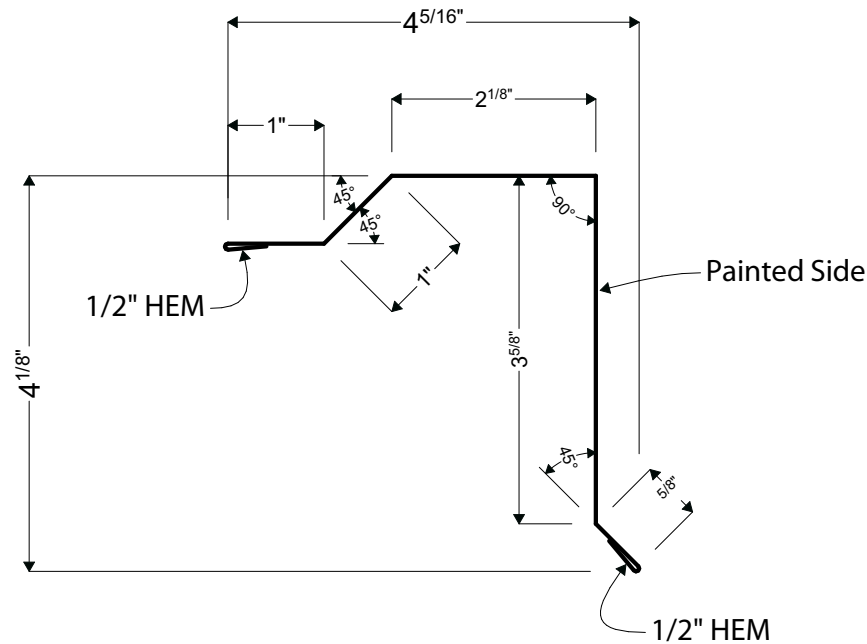


P: (208) 565-3002
www.ibexmetal.com
info@ibexmetal.com

282 GREAT NORTHERN RD
BONNERS FERRY, ID 83805

IDAHO'S BEST EXTERIORS

FRACTIONS ROUNDED TO NEAREST 1/16"
 REVISED: 7/7/2022



A **A1** Profile Section Detail
 Scale: 6" = 1'-0"

A

TRIM 06

IDAHO'S BEST EXTERIORS

CUSTOMER CATALOG

METAL ROOFING
 SIDING & TRIM

Product ID : 06

Name : **MINI GABLE**

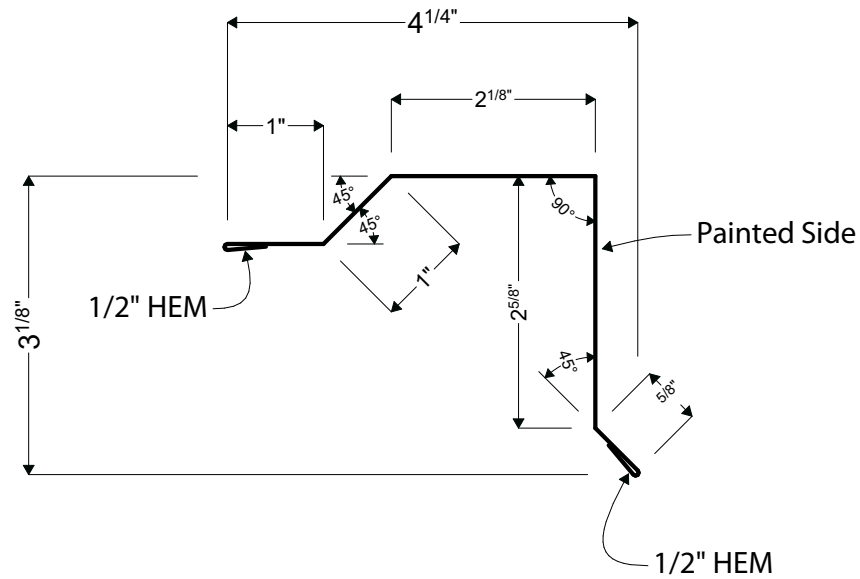
Description : Gable End Flashing Trim (Matches MINI EAVE)



P: (208) 565-3002
www.ibexmetal.com
info@ibexmetal.com

282 GREAT NORTHERN RD
 BONNERS FERRY, ID 83805

FRACTIONS ROUNDED TO NEAREST 1/16"
 REVISED: 7/7/2022



A **A1** Profile Section Detail
 Scale: 6" = 1'-0"

A

TRIM 06B

IDAHO'S BEST EXTERIORS

CUSTOMER CATALOG

METAL ROOFING
 SIDING & TRIM

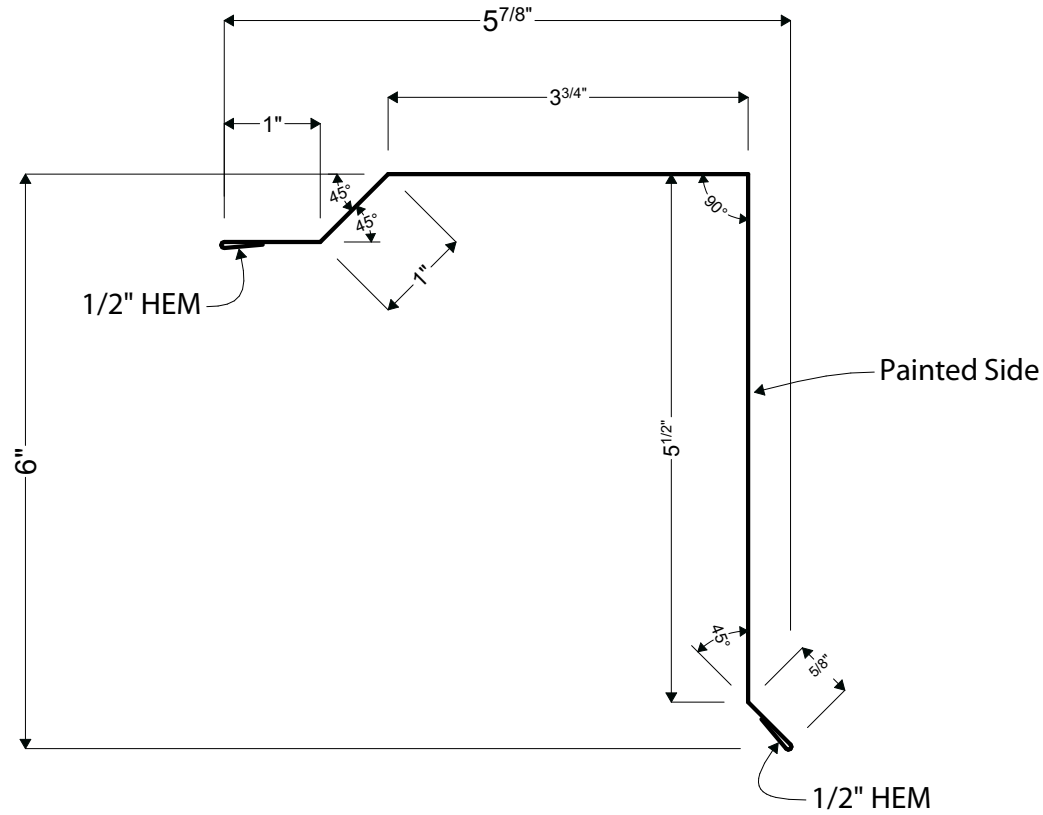
Product ID :	06B
Name :	MINI MINI GABLE
Description :	When MINI isn't mini enough



P: (208) 565-3002
www.ibexmetal.com
info@ibexmetal.com

282 GREAT NORTHERN RD
 BONNERS FERRY, ID 83805

FRACTIONS ROUNDED TO NEAREST 1/16"
 REVISED: 7/7/2022



A **A1** Profile Section Detail
 Scale: 6" = 1'-0"

A

TRIM 06C

IDAHO'S BEST EXTERIORS

CUSTOMER CATALOG

METAL ROOFING
 SIDING & TRIM

Product ID :	06C
Name :	OVERSIZED GABLE
Description :	Large Gable Flashing Trim



P: (208) 565-3002
www.ibexmetal.com
info@ibexmetal.com

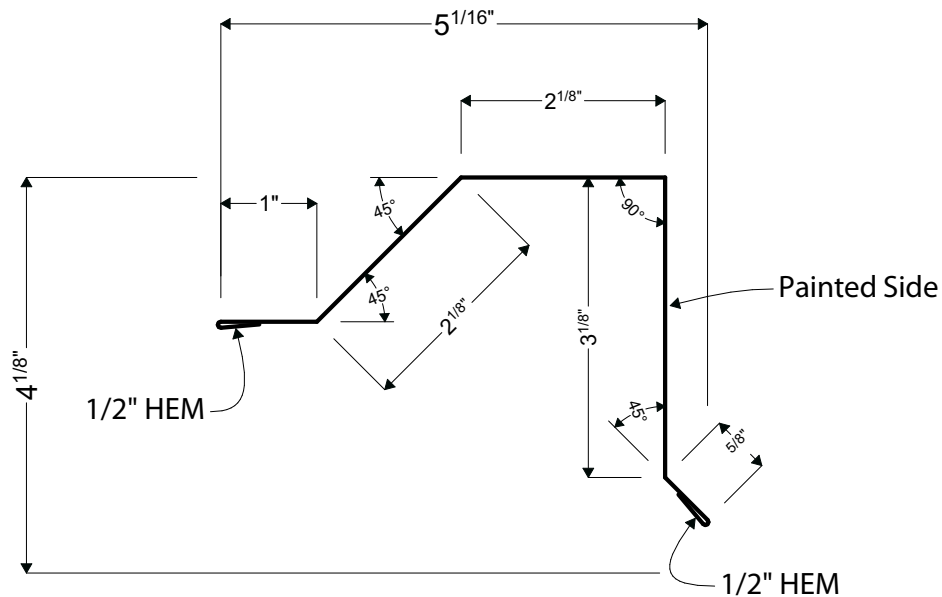
282 GREAT NORTHERN RD
 BONNERS FERRY, ID 83805

1

2

3

FRACTIONS ROUNDED TO NEAREST 1/16"
REVISED: 7/7/2022



A **A1** Profile Section Detail
Scale: 6" = 1'-0"

A

TRIM 06D

CUSTOMER CATALOG

METAL ROOFING SIDING & TRIM

Product ID : 06D

Name : **STANDING SEAM GABLE**

Description : Taller Gable Trim for Standing Seam

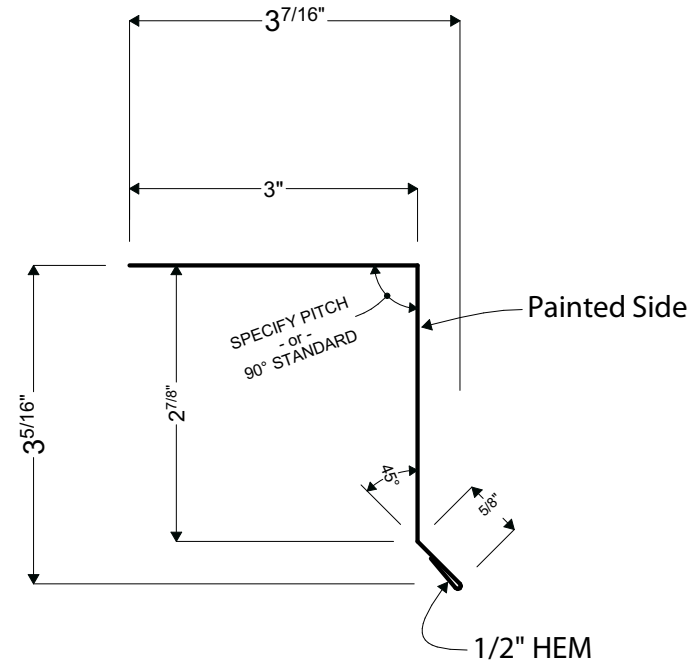
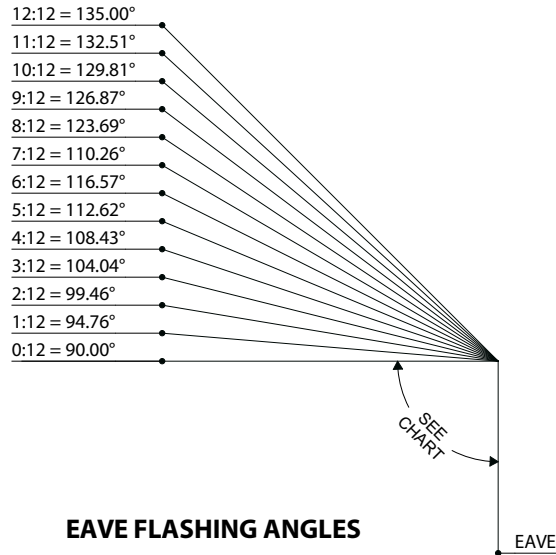


P: (208) 565-3002
www.ibexmetal.com
info@ibexmetal.com

282 GREAT NORTHERN RD
BONNERS FERRY, ID 83805

IDAHO'S BEST EXTERIORS

FRACTIONS ROUNDED TO NEAREST 1/16"
 REVISED: 8/17/2022



A **A1** Profile Section Detail
 Scale: 6" = 1'-0"

A

TRIM 07

IDAHO'S BEST EXTERIORS

CUSTOMER CATALOG

METAL ROOFING
 SIDING & TRIM

Product ID : 07

Name : **MINI EAVE**

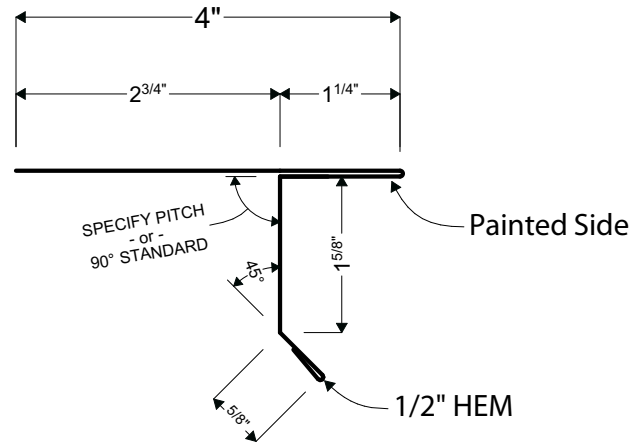
Description : Eave Trim (Matches MINI GABLE)



P: (208) 565-3002
 www.ibexmetal.com
 info@ibexmetal.com

282 GREAT NORTHERN RD
 BONNERS FERRY, ID 83805

FRACTIONS ROUNDED TO NEAREST 1/16"
 REVISED: 8/17/2022



ARCHITECTURAL SERIES

A **A1** Profile Section Detail
 Scale: 6" = 1'-0"

A

CUSTOMER CATALOG

METAL ROOFING
 SIDING & TRIM

<i>Product ID :</i>	07B
<i>Name :</i>	STANDING SEAM EAVE
<i>Description :</i>	Eave Trim (Matches STANDING SEAM GABLE)



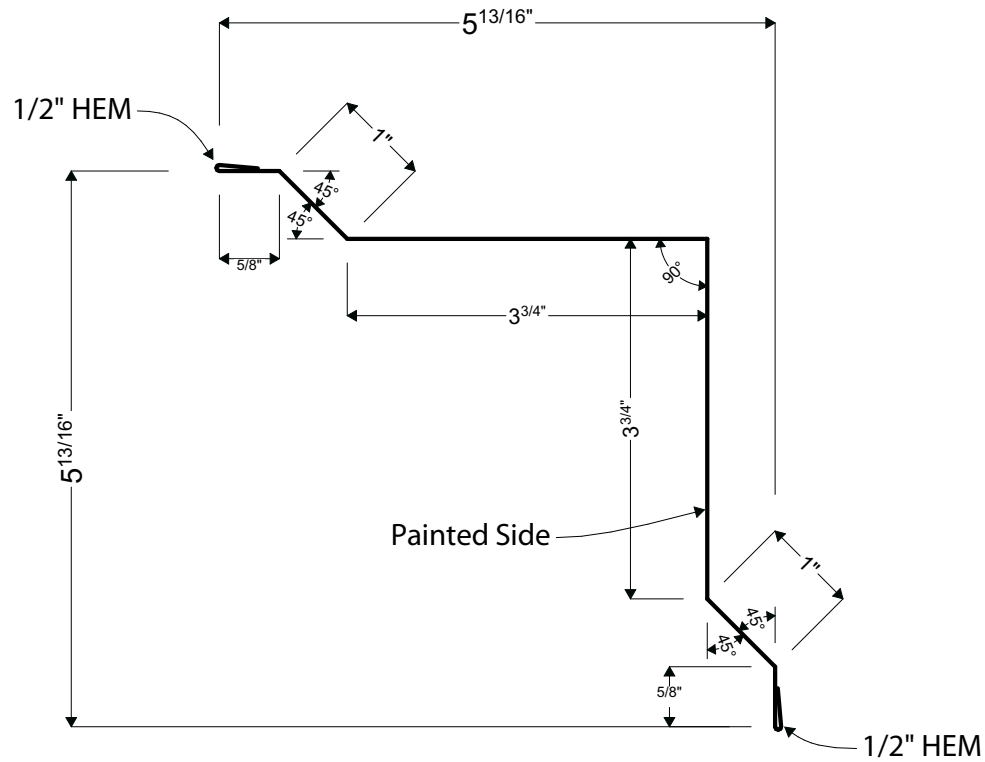
P: (208) 565-3002
www.ibexmetal.com
info@ibexmetal.com

282 GREAT NORTHERN RD
 BONNERS FERRY, ID 83805

TRIM 07B

IDAHO'S BEST EXTERIORS

FRACTIONS ROUNDED TO NEAREST 1/16"
 REVISED: 7/7/2022



A **A1** Profile Section Detail
 Scale: 6" = 1'-0"

A

CUSTOMER CATALOG

METAL ROOFING
 SIDING & TRIM

Product ID :	08
Name :	INSIDE CORNER
Description :	Inside Corner Trim



IBEX

P: (208) 565-3002
 www.ibexmetal.com
 info@ibexmetal.com

282 GREAT NORTHERN RD
 BONNERS FERRY, ID 83805

TRIM 08

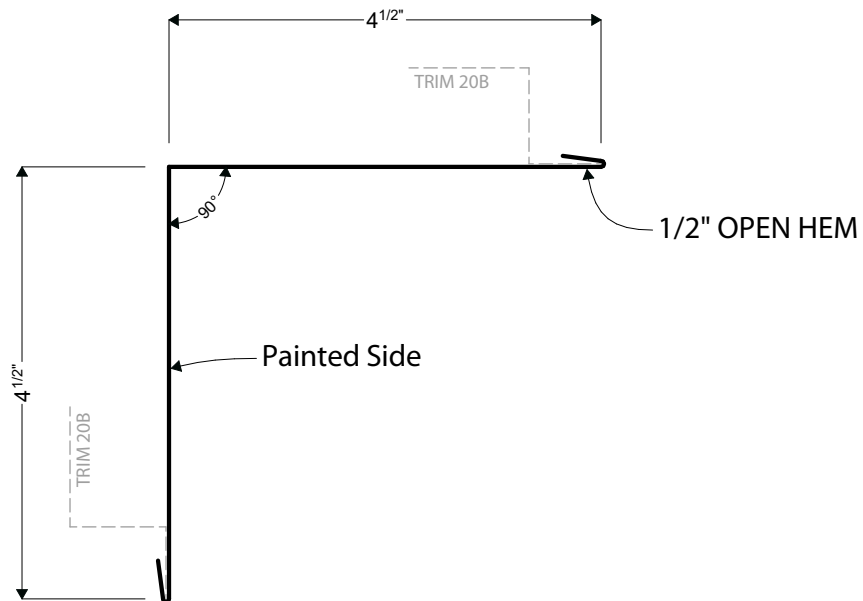
IDAHO'S BEST EXTERIORS

1

2

3

FRACTIONS ROUNDED TO NEAREST 1/16"
REVISED: 7/7/2022



ARCHITECTURAL SERIES

A **A1** Profile Section Detail
Scale: 6" = 1'-0"

A

CUSTOMER CATALOG

METAL ROOFING SIDING & TRIM

<i>Product ID :</i>	08B
<i>Name :</i>	ARCHITECTURAL INSIDE CORNER
<i>Description :</i>	Concealed Fastener Inside Corner Trim



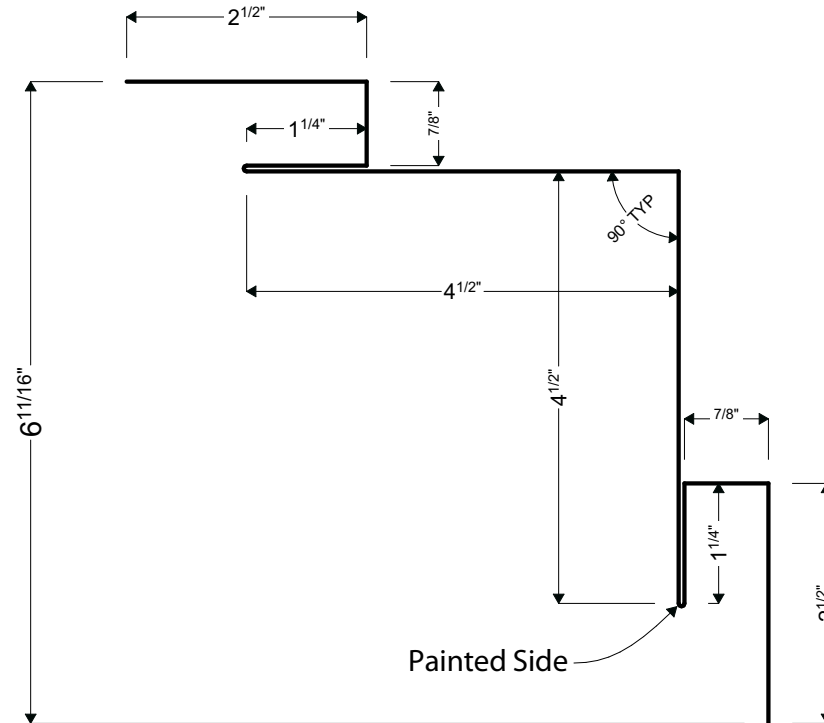
P: (208) 565-3002
www.ibexmetal.com
info@ibexmetal.com

IBEX
282 GREAT NORTHERN RD
BONNERS FERRY, ID 83805

TRIM 08B

IDAHO'S BEST EXTERIORS

FRACTIONS ROUNDED TO NEAREST 1/16"
 REVISED: 8/17/2022



ARCHITECTURAL SERIES

A **A1** Profile Section Detail
 Scale: 6" = 1'-0"

A

CUSTOMER CATALOG

METAL ROOFING
 SIDING & TRIM

<i>Product ID :</i>	08E
<i>Name :</i>	TRIM FIRST INSIDE CORNER
<i>Description :</i>	Siding Inside Corner Trim (TRIM FIRST)



P: (208) 565-3002
 www.ibexmetal.com
 info@ibexmetal.com

282 GREAT NORTHERN RD
 BONNERS FERRY, ID 83805

TRIM 08E

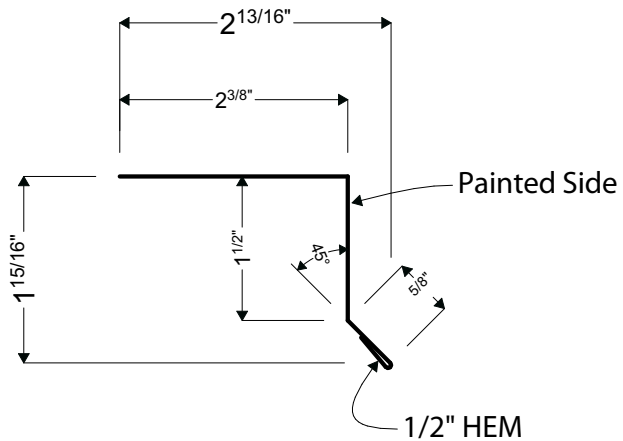
IDAHO'S BEST EXTERIORS

1

2

3

FRACTIONS ROUNDED TO NEAREST 1/16"
REVISED: 7/7/2022



A **A1** Profile Section Detail
Scale: 6" = 1'-0"

A

TRIM 09

CUSTOMER CATALOG

METAL ROOFING SIDING & TRIM

Product ID : 09

Name : DRIP EDGE

Description : Drip Edge Flashing "G-style"



P: (208) 565-3002
www.ibexmetal.com
info@ibexmetal.com

282 GREAT NORTHERN RD
BONNERS FERRY, ID 83805

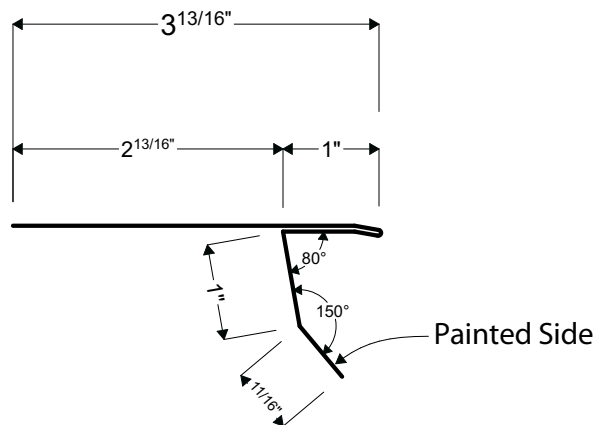
IDAHO'S BEST EXTERIORS

1

2

3

FRACTIONS ROUNDED TO NEAREST 1/16"
REVISED: 7/7/2022



A

A1 Profile Section Detail
Scale: 6" = 1'-0"

A

TRIM 09B

CUSTOMER CATALOG

METAL ROOFING SIDING & TRIM

Product ID :

09B

Name :

DRIP EDGE B

Description :

Drip Edge Flashing "D-style"



P: (208) 565-3002
www.ibexmetal.com
info@ibexmetal.com

282 GREAT NORTHERN RD
BONNERS FERRY, ID 83805

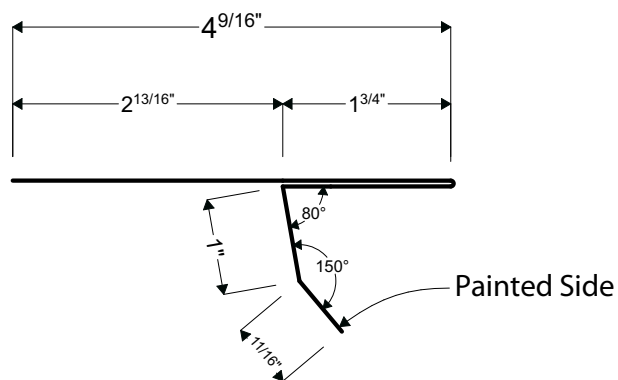
IDAHO'S BEST EXTERIORS

1

2

3

FRACTIONS ROUNDED TO NEAREST 1/16"
REVISED: 7/7/2022



ARCHITECTURAL SERIES

A **A1** Profile Section Detail
Scale: 6" = 1'-0"

A

**CUSTOMER
CATALOG**

METAL ROOFING
SIDING & TRIM

<i>Product ID :</i>	09C
<i>Name :</i>	DRIP EDGE C
<i>Description :</i>	Drip Edge for Concealed Fastener "D-style"



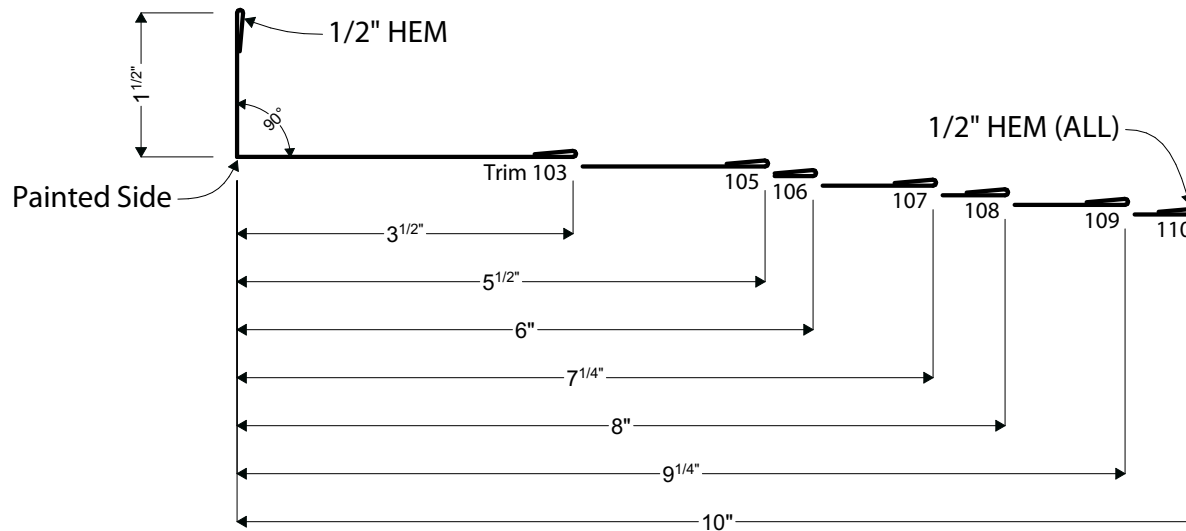
P: (208) 565-3002
www.ibexmetal.com
info@ibexmetal.com

282 GREAT NORTHERN RD
BONNERS FERRY, ID 83805

TRIM 09C

IDAHO'S BEST EXTERIORS

FRACTIONS ROUNDED TO NEAREST 1/16"
REVISED: 8/30/2022



A **A1** Profile Section Detail
Scale: 6" = 1'-0"

A

TRIM 10

CUSTOMER CATALOG

METAL ROOFING SIDING & TRIM

Product ID : 103, 105, 106, 107, 108, 109, 110

Name : **POST TRIM**

Description : Trim covering vertical framing posts



P: (208) 565-3002
www.ibexmetal.com
info@ibexmetal.com

282 GREAT NORTHERN RD
BONNERS FERRY, ID 83805

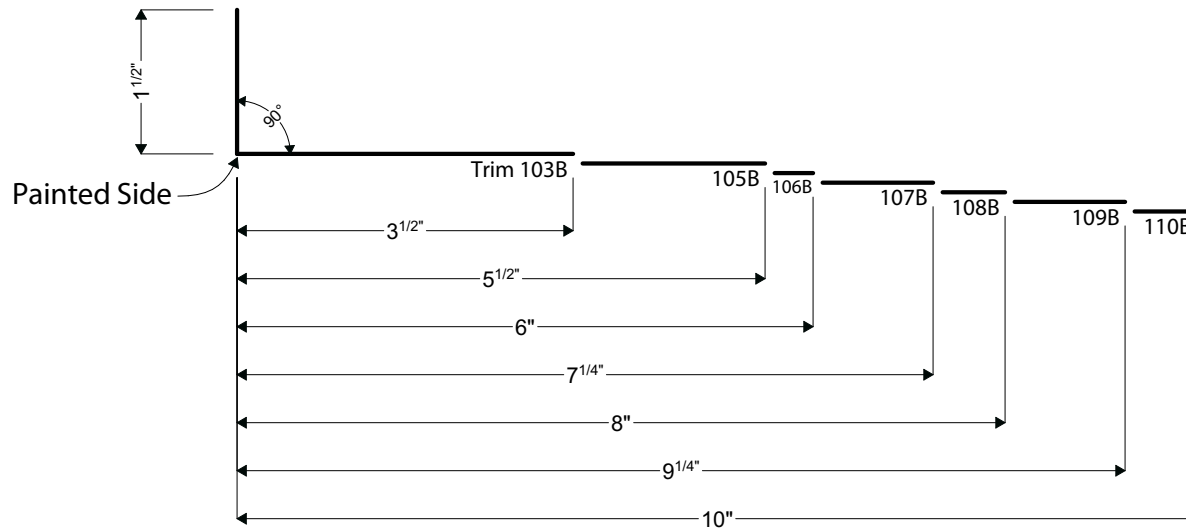
IDAHO'S BEST EXTERIORS

1

2

3

FRACTIONS ROUNDED TO NEAREST 1/16"
REVISED: 8/30/2022



A **A1** Profile Section Detail
Scale: 6" = 1'-0"

A

TRIM 10B

IDAHO'S BEST EXTERIORS

CUSTOMER CATALOG

METAL ROOFING SIDING & TRIM

Product ID : 103B, 105B, 106B, 107B, 108B, 109B, 110B

Name : **POST TRIM B**

Description : Trim covering vertical framing posts (NO HEM)



P: (208) 565-3002
www.ibexmetal.com
info@ibexmetal.com

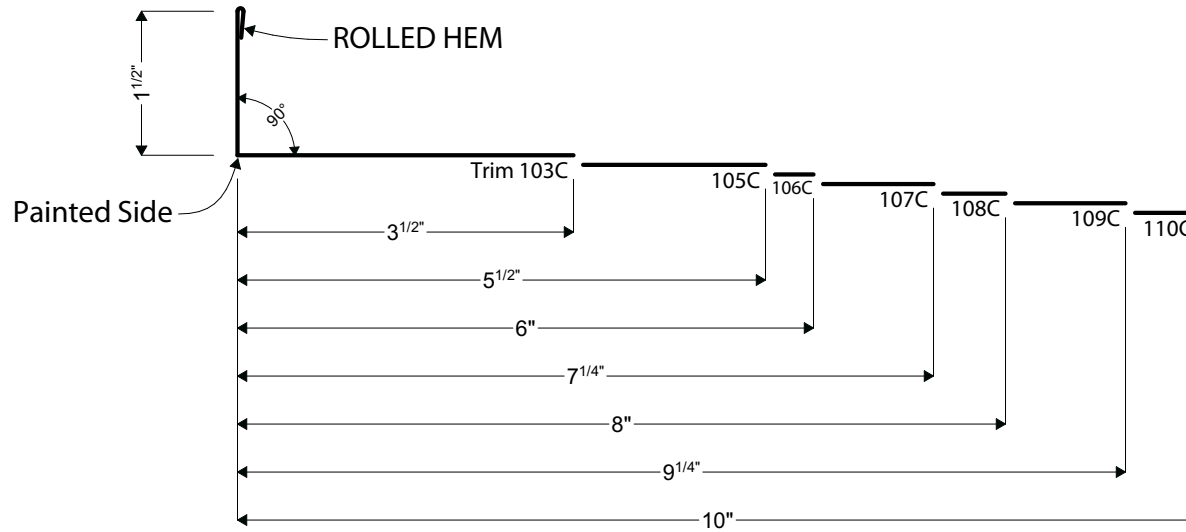
282 GREAT NORTHERN RD
BONNERS FERRY, ID 83805

1

2

3

FRACTIONS ROUNDED TO NEAREST 1/16"
REVISED: 8/30/2022



A **A1** Profile Section Detail
Scale: 6" = 1'-0"

A

TRIM 10C

IDAHO'S BEST EXTERIORS

CUSTOMER CATALOG

METAL ROOFING SIDING & TRIM

Product ID : 103C, 105C, 106C, 107C, 108C, 109C, 110C

Name : **PLAIN FASCIA**

Description : Rolled Fascia Trim



P: (208) 565-3002
www.ibexmetal.com
info@ibexmetal.com

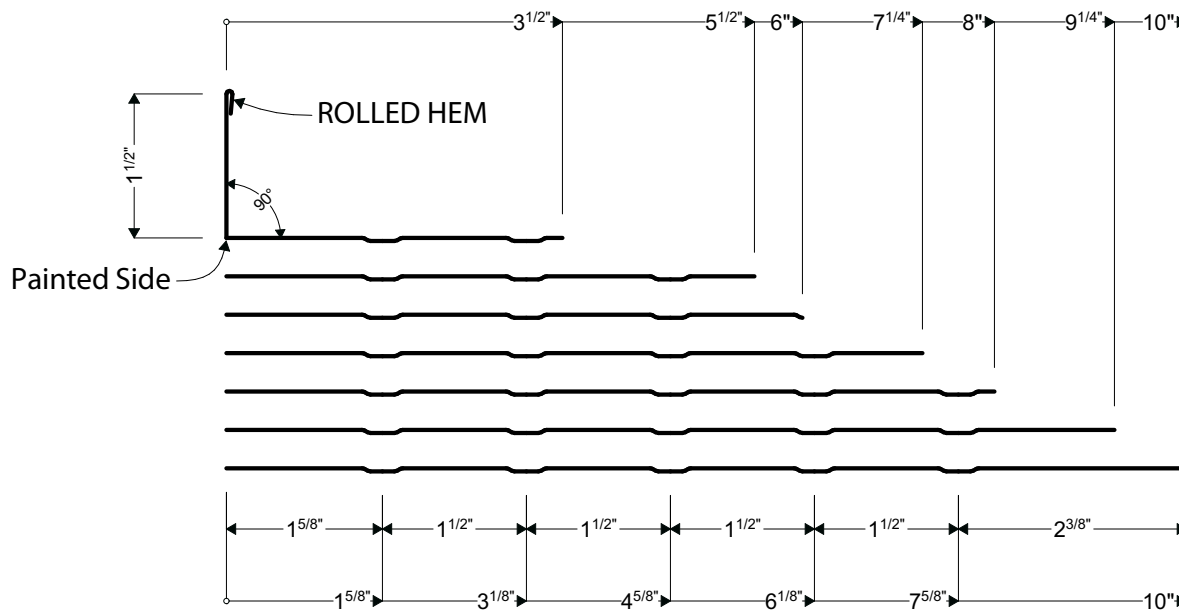
282 GREAT NORTHERN RD
BONNERS FERRY, ID 83805

1

2

3

FRACTIONS ROUNDED TO NEAREST 1/16"
REVISED: 8/30/2022



A **A1** Profile Section Detail
Scale: 6" = 1'-0"

A

TRIM 10R

CUSTOMER CATALOG

METAL ROOFING SIDING & TRIM

Product ID : 103R, 105R, 106R, 107R, 108R, 109R, 110R

Name : **RIBBED FASCIA**

Description : Rolled Fascia Trim (Ribbed)

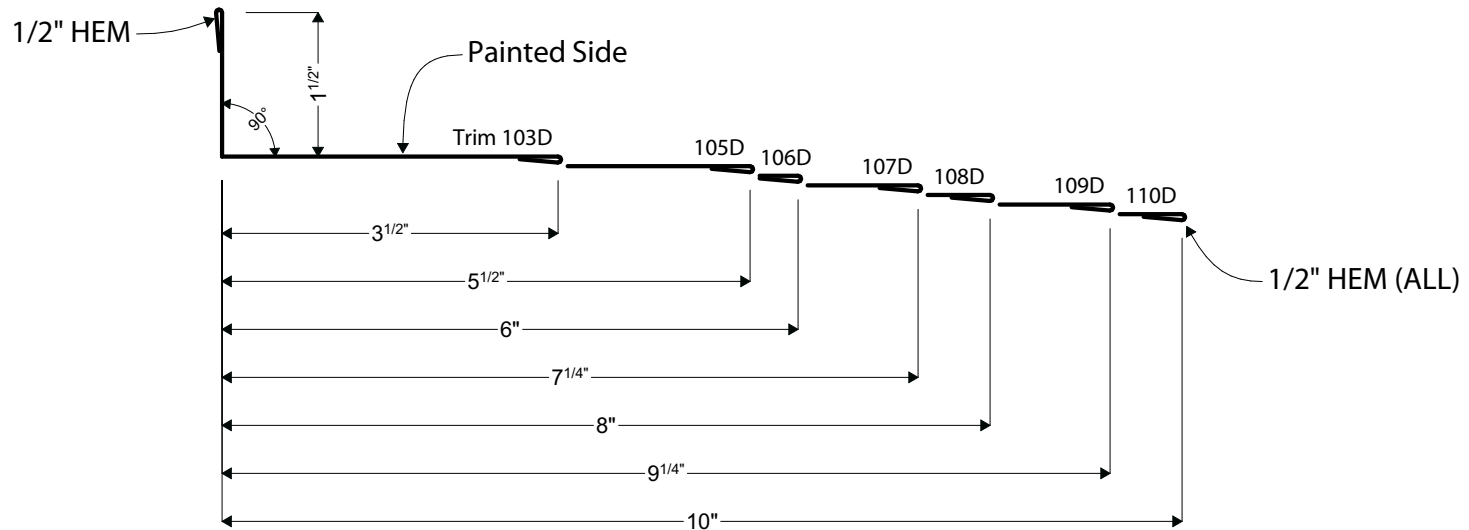


P: (208) 565-3002
www.ibexmetal.com
info@ibexmetal.com

282 GREAT NORTHERN RD
BONNERS FERRY, ID 83805

IDAHO'S BEST EXTERIORS

FRACTIONS ROUNDED TO NEAREST 1/16"
 REVISED: 8/30/2022



A **A1** Profile Section Detail
 Scale: 6" = 1'-0"

A

TRIM 10D

IDAHO'S BEST EXTERIORS

CUSTOMER CATALOG

METAL ROOFING
 SIDING & TRIM

Product ID : 103D, 105D, 106D, 107D, 108D, 109D, 110D

Name : **INSIDE ANGLE**

Description : Multi-Use Inside Corner Angle



P: (208) 565-3002
 www.ibexmetal.com
 info@ibexmetal.com

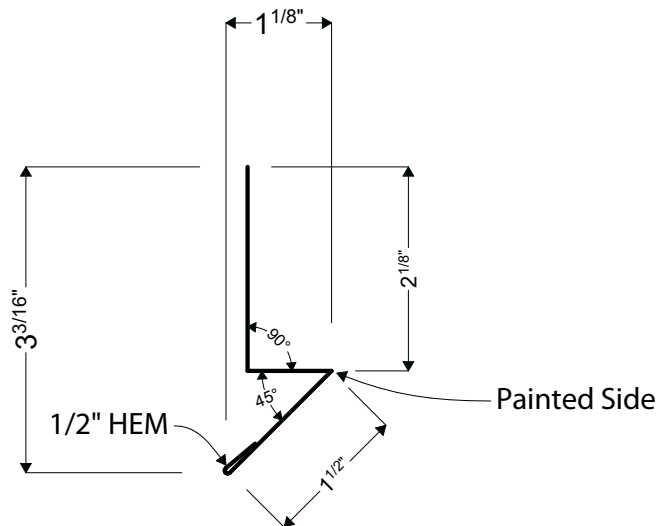
282 GREAT NORTHERN RD
 BONNERS FERRY, ID 83805

1

2

3

FRACTIONS ROUNDED TO NEAREST 1/16"
REVISED: 7/7/2022



A **A1** Profile Section Detail
Scale: 6" = 1'-0"

A

TRIM 11

CUSTOMER CATALOG

METAL ROOFING SIDING & TRIM

Product ID : 11

Name : **RAT GUARD**

Description : Base Trim for Exterior Wall Panels



P: (208) 565-3002
www.ibexmetal.com
info@ibexmetal.com

282 GREAT NORTHERN RD
BONNERS FERRY, ID 83805

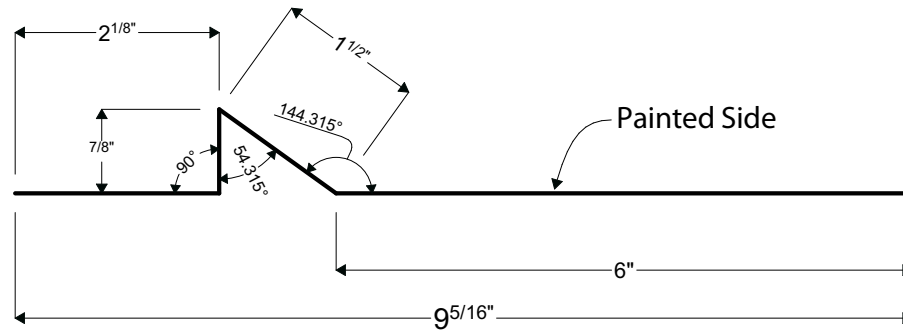
IDAHO'S BEST EXTERIORS

1

2

3

FRACTIONS ROUNDED TO NEAREST 1/16"
REVISED: 7/7/2022



A **A1** Profile Section Detail
Scale: 6" = 1'-0"

A

TRIM 11B

CUSTOMER CATALOG

METAL ROOFING SIDING & TRIM

Product ID :

11B

Name :

FAT RAT

Description :

Extended Base Trim for Exterior Wall Panels



P: (208) 565-3002
www.ibexmetal.com
info@ibexmetal.com

282 GREAT NORTHERN RD
BONNERS FERRY, ID 83805

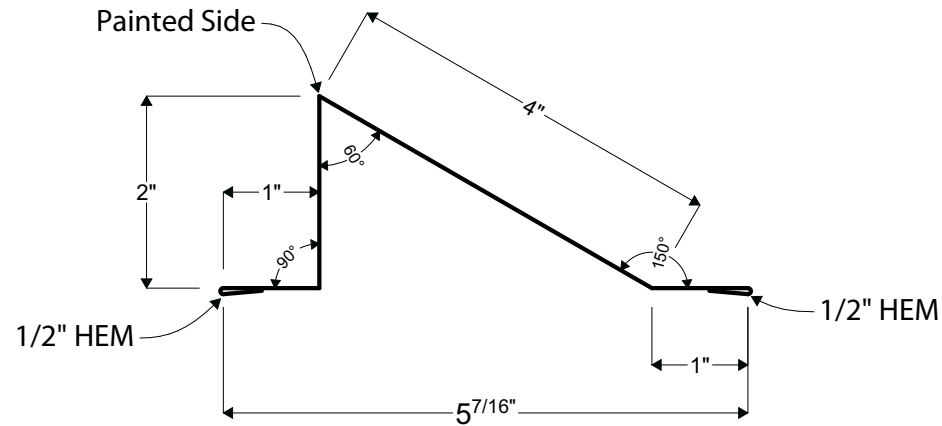
IDAHO'S BEST EXTERIORS

1

2

3

FRACTIONS ROUNDED TO NEAREST 1/16"
REVISED: 7/7/2022



A **A1** Profile Section Detail
Scale: 6" = 1'-0"

A

TRIM 12

IDAHO'S BEST EXTERIORS

CUSTOMER CATALOG

METAL ROOFING SIDING & TRIM

Product ID : 12

Name : **SNOW GUARD**

Description : Snow Guard for Roof



P: (208) 565-3002
www.ibexmetal.com
info@ibexmetal.com

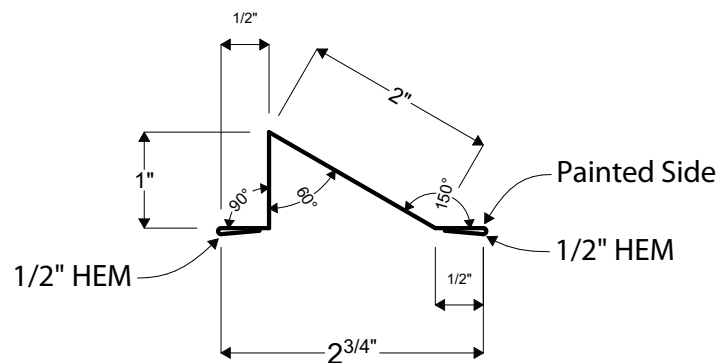
282 GREAT NORTHERN RD
BONNERS FERRY, ID 83805

1

2

3

FRACTIONS ROUNDED TO NEAREST 1/16"
REVISED: 8/30/2022



A **A1** Profile Section Detail
Scale: 6" = 1'-0"

A

TRIM 12B

CUSTOMER CATALOG

METAL ROOFING SIDING & TRIM

<i>Product ID :</i>	12B
<i>Name :</i>	MINI SNOW GUARD
<i>Description :</i>	Mini Snow Guard for Roof



P: (208) 565-3002
www.ibexmetal.com
info@ibexmetal.com

282 GREAT NORTHERN RD
 BONNERS FERRY, ID 83805

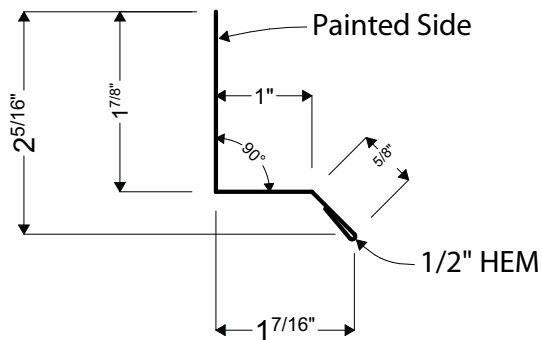
IDAHO'S BEST EXTERIORS

1

2

3

FRACTIONS ROUNDED TO NEAREST 1/16"
REVISED: 7/7/2022



A A1 Profile Section Detail
Scale: 6" = 1'-0"

A

TRIM 13

CUSTOMER CATALOG

METAL ROOFING SIDING & TRIM

Product ID : 13

Name : L BASE TRIM

Description : Base Trim for Wall Panels

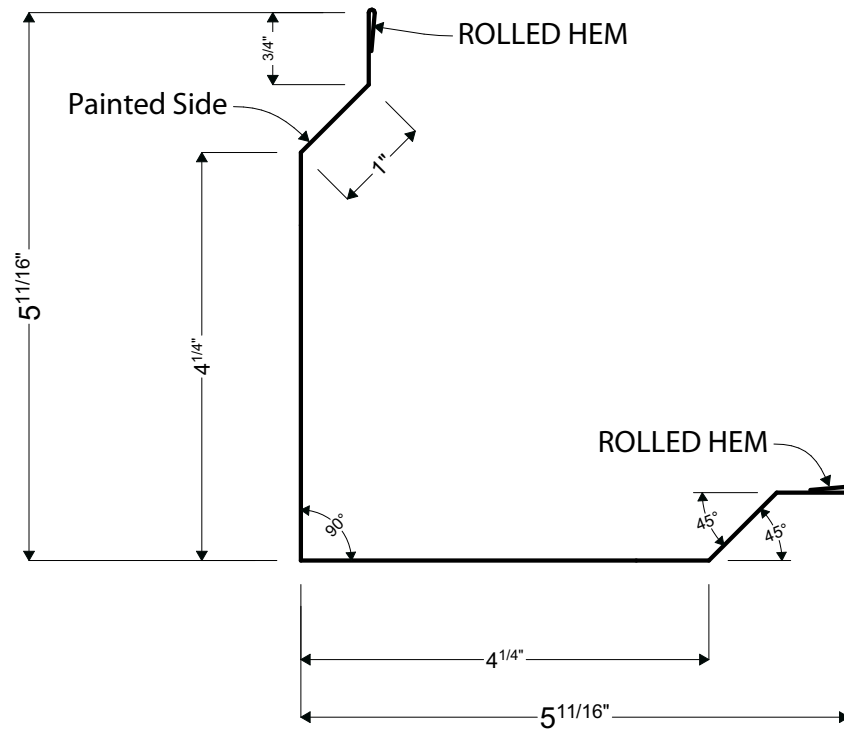


P: (208) 565-3002
www.ibexmetal.com
info@ibexmetal.com

282 GREAT NORTHERN RD
BONNERS FERRY, ID 83805

IDAHO'S BEST EXTERIORS

FRACTIONS ROUNDED TO NEAREST 1/16"
 REVISED: 7/7/2022



A **A1** Profile Section Detail
 Scale: 6" = 1'-0"

A

TRIM 14

IDAHO'S BEST EXTERIORS

CUSTOMER CATALOG

METAL ROOFING
 SIDING & TRIM

Product ID : 14

Name : **OUTSIDE CORNER**

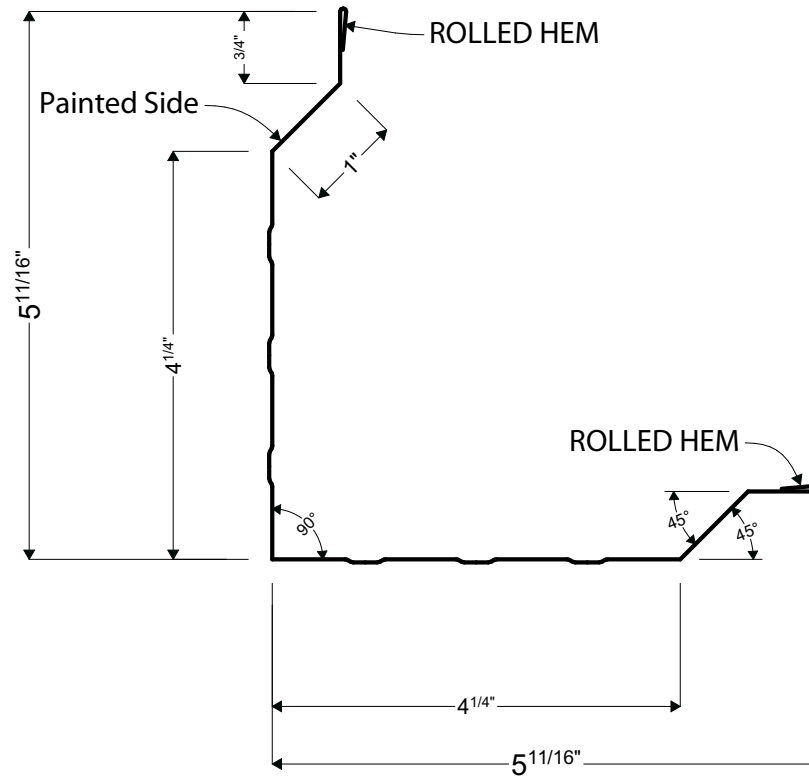
Description : Outside Corner Trim for Wall Panels



P: (208) 565-3002
www.ibexmetal.com
info@ibexmetal.com

282 GREAT NORTHERN RD
 BONNERS FERRY, ID 83805

FRACTIONS ROUNDED TO NEAREST 1/16"
 REVISED: 7/7/2022



A **A1** Profile Section Detail
 Scale: 6" = 1'-0"

A

TRIM 14R

IDAHO'S BEST EXTERIORS

CUSTOMER CATALOG

METAL ROOFING SIDING & TRIM

Product ID :

14R

Name :

OUTSIDE CORNER (RIBBED)

Description :

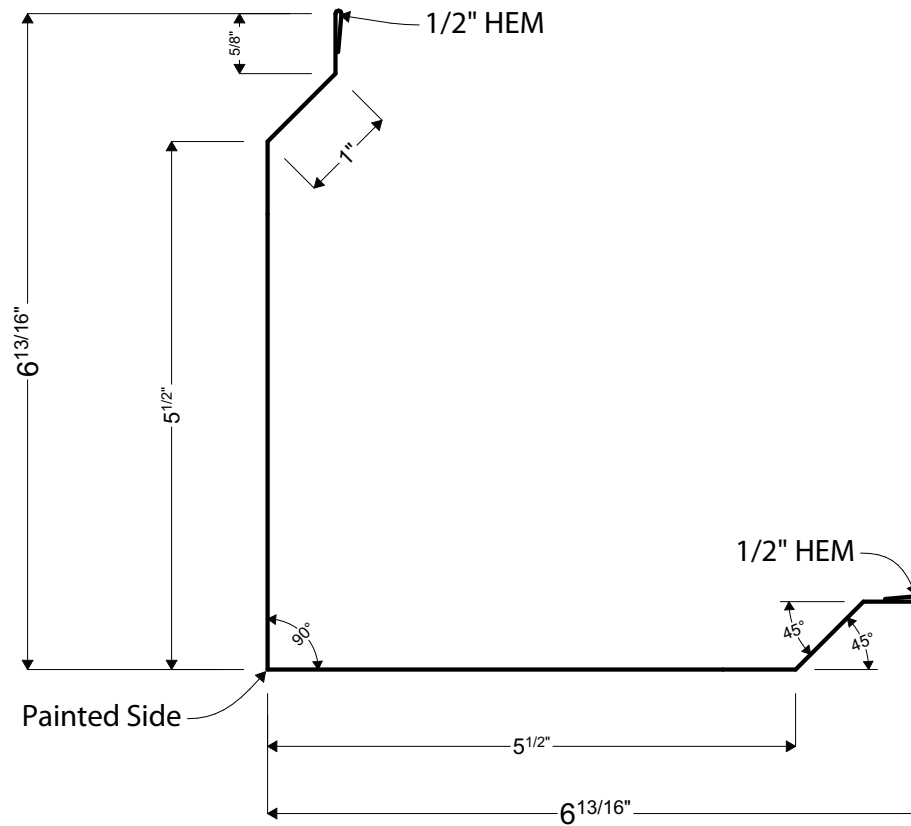
Outside Corner Trim for Wall Panels (Ribbed)



P: (208) 565-3002
 www.ibexmetal.com
 info@ibexmetal.com

282 GREAT NORTHERN RD
 BONNERS FERRY, ID 83805

FRACTIONS ROUNDED TO NEAREST 1/16"
 REVISED: 7/7/2022



A **A1** Profile Section Detail
 Scale: 6" = 1'-0"

A

TRIM 14B

IDAHO'S BEST EXTERIORS

CUSTOMER CATALOG

METAL ROOFING
 SIDING & TRIM

Product ID :

14B

Name :

OVERSIZE OUTSIDE CORNER

Description :

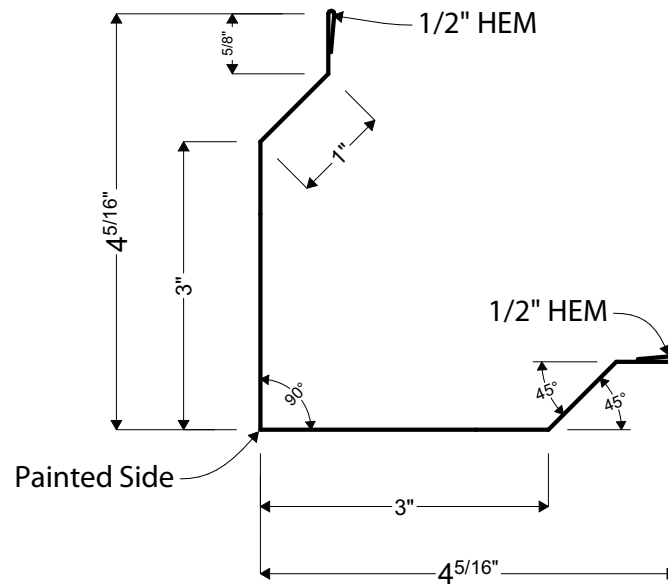
Large Outside Corner Trim for Wall Panels



P: (208) 565-3002
 www.ibexmetal.com
 info@ibexmetal.com

282 GREAT NORTHERN RD
 BONNERS FERRY, ID 83805

FRACTIONS ROUNDED TO NEAREST 1/16"
 REVISED: 7/7/2022



A **A1** Profile Section Detail
 Scale: 6" = 1'-0"

A

TRIM 14C

IDAHO'S BEST EXTERIORS

CUSTOMER CATALOG

METAL ROOFING
 SIDING & TRIM

Product ID :

14C

Name :

MINI OUTSIDE CORNER

Description :

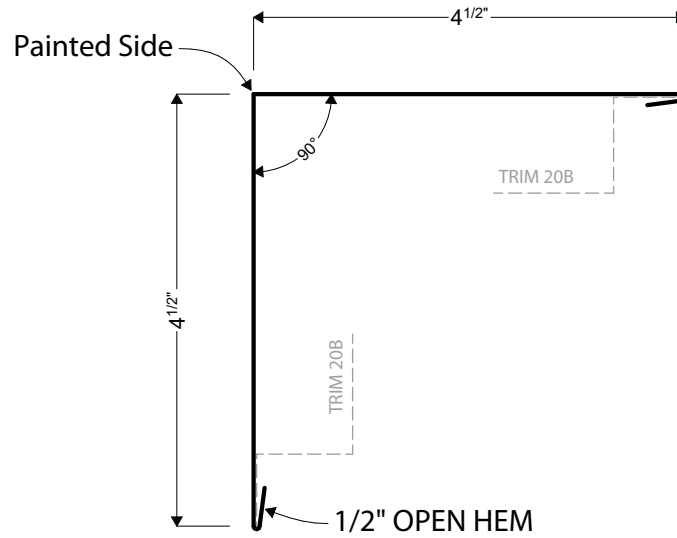
Small Outside Corner Trim for Wall Panels



P: (208) 565-3002
www.ibexmetal.com
info@ibexmetal.com

282 GREAT NORTHERN RD
 BONNERS FERRY, ID 83805

FRACTIONS ROUNDED TO NEAREST 1/16"
 REVISED: 7/7/2022



ARCHITECTURAL SERIES

A **A1** Profile Section Detail
 Scale: 6" = 1'-0"

A

TRIM 14D

IDAHO'S BEST EXTERIORS

CUSTOMER CATALOG

METAL ROOFING
 SIDING & TRIM

Product ID :

14D

Name :

ARCHITECTURAL CORNER

Description :

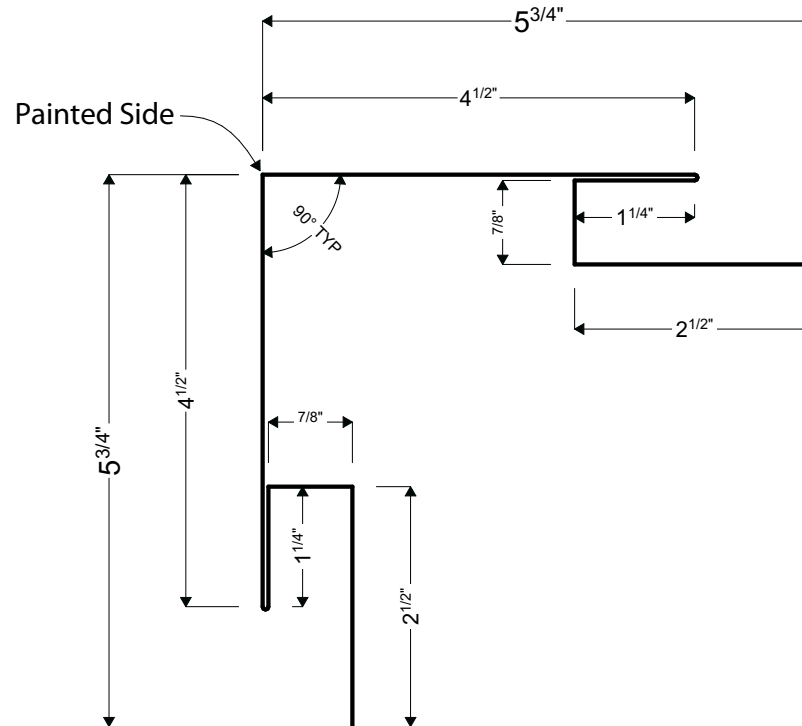
Corner Trim for Concealed Fastener



P: (208) 565-3002
 www.ibexmetal.com
 info@ibexmetal.com

282 GREAT NORTHERN RD
 BONNERS FERRY, ID 83805

FRACTIONS ROUNDED TO NEAREST 1/16"
 REVISED: 8/17/2022



ARCHITECTURAL SERIES

A **A1** Profile Section Detail
 Scale: 6" = 1'-0"

A

TRIM 14E

IDAHO'S BEST EXTERIORS

CUSTOMER CATALOG

METAL ROOFING SIDING & TRIM

<i>Product ID :</i>	14E
<i>Name :</i>	TRIM FIRST OUTSIDE CORNER
<i>Description :</i>	Siding Outside Corner Trim (TRIM FIRST)



P: (208) 565-3002
 www.ibexmetal.com
 info@ibexmetal.com

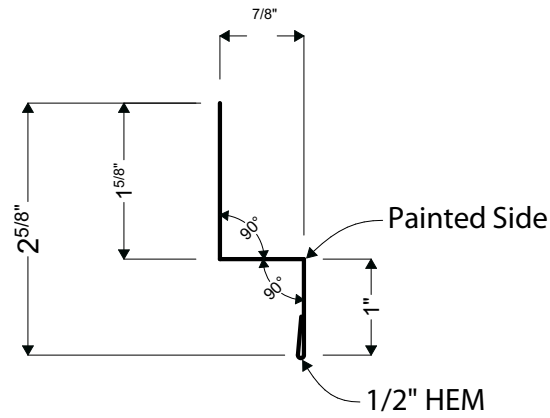
282 GREAT NORTHERN RD
 BONNERS FERRY, ID 83805

1

2

3

FRACTIONS ROUNDED TO NEAREST 1/16"
REVISED: 7/7/2022



A **A1** Profile Section Detail
Scale: 6" = 1'-0"

A

TRIM 15

CUSTOMER CATALOG

METAL ROOFING SIDING & TRIM

Product ID : 15

Name : **WALL LITE FLASHING**

Description : Used for Wainscote to Wall Panel Transition



P: (208) 565-3002
www.ibexmetal.com
info@ibexmetal.com

282 GREAT NORTHERN RD
BONNERS FERRY, ID 83805

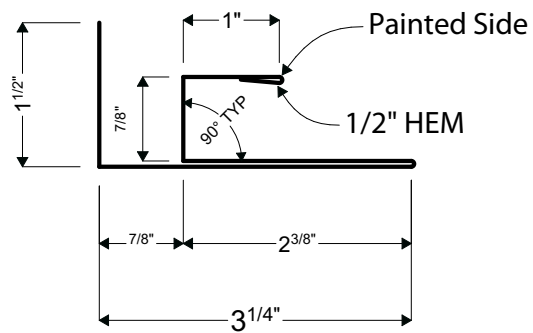
IDAHO'S BEST EXTERIORS

1

2

3

FRACTIONS ROUNDED TO NEAREST 1/16"
REVISED: 7/7/2022



A

A1 Profile Section Detail
Scale: 6" = 1'-0"

A

TRIM 16

CUSTOMER CATALOG

METAL ROOFING SIDING & TRIM

Product ID : 16

Name : **FJ TRIM**

Description : Standard FJ Trim



P: (208) 565-3002
www.ibexmetal.com
info@ibexmetal.com

282 GREAT NORTHERN RD
BONNERS FERRY, ID 83805

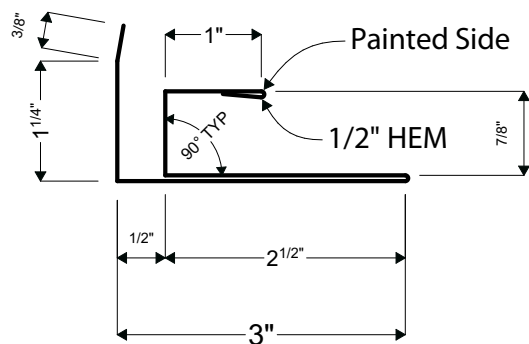
IDAHO'S BEST EXTERIORS

1

2

3

FRACTIONS ROUNDED TO NEAREST 1/16"
REVISED: 7/7/2022



A **A1** Profile Section Detail
Scale: 6" = 1'-0"

A

TRIM 16B

CUSTOMER CATALOG

METAL ROOFING SIDING & TRIM

Product ID : 16B

Name : **MINI FJ TRIM**

Description : Smaller FJ Trim for Soffit

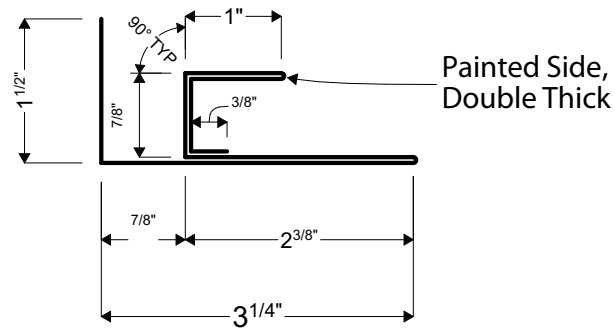


P: (208) 565-3002
www.ibexmetal.com
info@ibexmetal.com

282 GREAT NORTHERN RD
BONNERS FERRY, ID 83805

IDAHO'S BEST EXTERIORS

1 2 3
 FRACTIONS ROUNDED TO NEAREST 1/16"
 REVISED: 8/17/2022



ARCHITECTURAL SERIES

A **A1** Profile Section Detail
 Scale: 6" = 1'-0"

A

TRIM 16C

IDAHO'S BEST EXTERIORS

CUSTOMER CATALOG

METAL ROOFING
 SIDING & TRIM

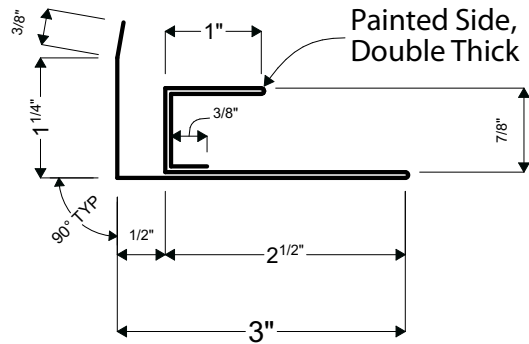
<i>Product ID :</i>	16C
<i>Name :</i>	FULL WRAP FJ TRIM
<i>Description :</i>	Standard FJ Trim w/Paint inside



P: (208) 565-3002
www.ibexmetal.com
info@ibexmetal.com

282 GREAT NORTHERN RD
 BONNERS FERRY, ID 83805

FRACTIONS ROUNDED TO NEAREST 1/16"
 REVISED: 7/14/2022



ARCHITECTURAL SERIES

A **A1** Profile Section Detail
 Scale: 6" = 1'-0"

A

TRIM 16D

IDAHO'S BEST EXTERIORS

CUSTOMER CATALOG

METAL ROOFING SIDING & TRIM

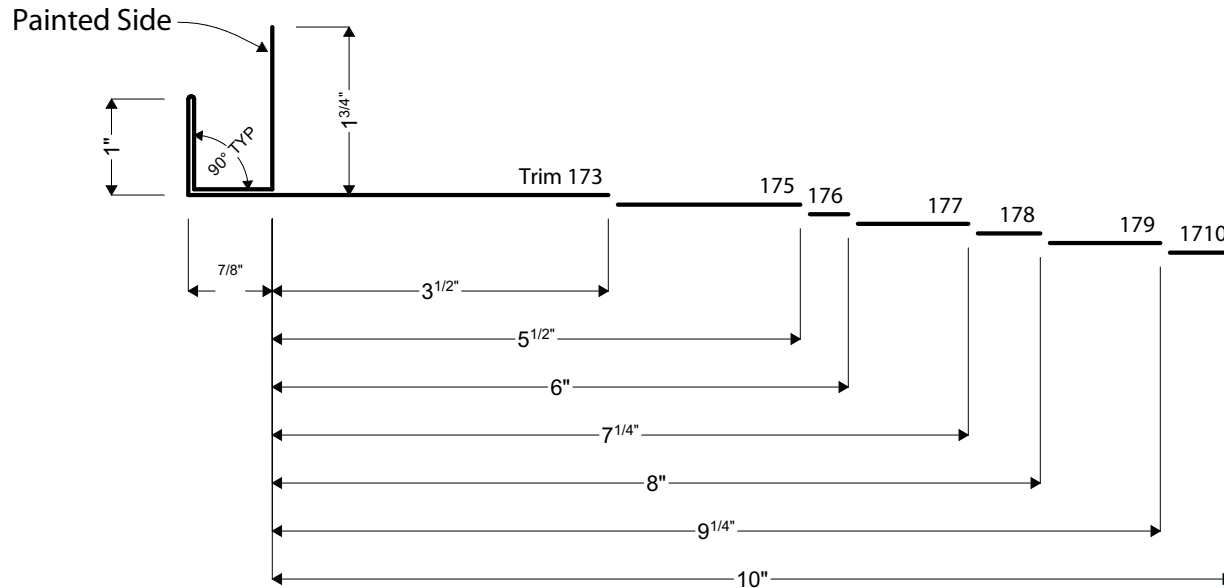
<i>Product ID :</i>	16D
<i>Name :</i>	FULL WRAP MINI FJ TRIM
<i>Description :</i>	Smaller FJ Trim for Soffit w/Paint inside



P: (208) 565-3002
www.ibexmetal.com
info@ibexmetal.com

282 GREAT NORTHERN RD
 BONNERS FERRY, ID 83805

FRACTIONS ROUNDED TO NEAREST 1/16"
REVISED: 8/30/2022



A **A1** Profile Section Detail
Scale: 6" = 1'-0"

A

TRIM 17

CUSTOMER CATALOG

METAL ROOFING SIDING & TRIM

Product ID : 173, 175, 176, 177, 178, 179, 1710

Name : **POST FJ TRIM**

Description : Post Flashing Trim for Panel Attachment



P: (208) 565-3002
www.ibexmetal.com
info@ibexmetal.com

282 GREAT NORTHERN RD
BONNERS FERRY, ID 83805

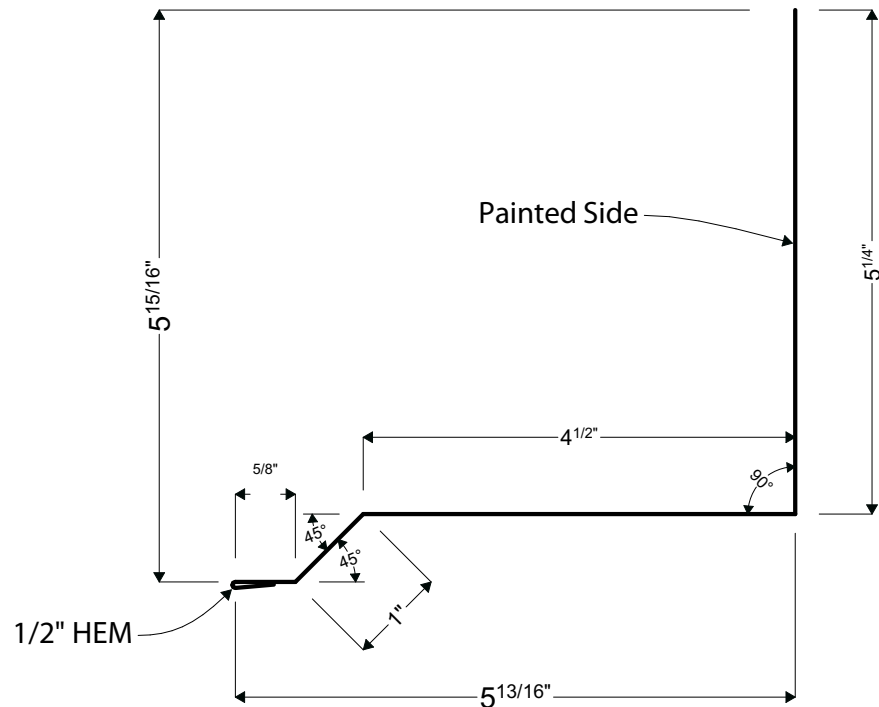
IDAHO'S BEST EXTERIORS

1

2

3

FRACTIONS ROUNDED TO NEAREST 1/16"
REVISED: 7/7/2022



A **A1** Profile Section Detail
Scale: 6" = 1'-0"

A

CUSTOMER CATALOG

METAL ROOFING SIDING & TRIM

Product ID : 18

Name : **ROOF TO WALL FLASHING**

Description : Roof to Wall Transition Flashing (Sidewall)



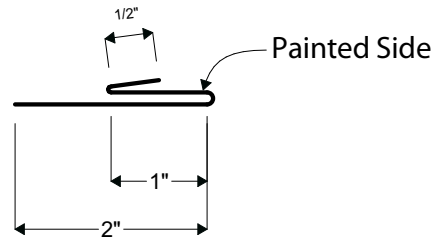
P: (208) 565-3002
www.ibexmetal.com
info@ibexmetal.com

282 GREAT NORTHERN RD
BONNERS FERRY, ID 83805

TRIM 18

IDAHO'S BEST EXTERIORS

FRACTIONS ROUNDED TO NEAREST 1/16"
 REVISED: 7/7/2022



ARCHITECTURAL SERIES

A **A1** Profile Section Detail
 Scale: 6" = 1'-0"

CUSTOMER CATALOG

METAL ROOFING
 SIDING & TRIM

<i>Product ID :</i>	19
<i>Name :</i>	BOARD & BATT TRIM
<i>Description :</i>	Used as Concealed Fastener

IBEX

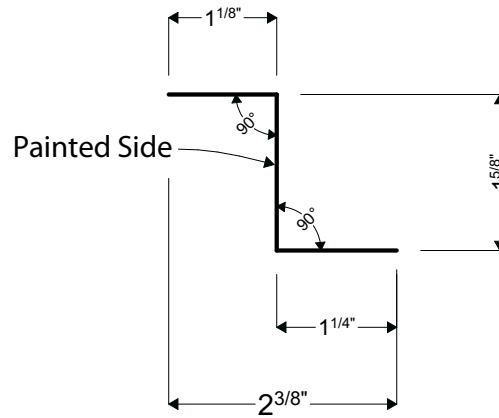
P: (208) 565-3002
 www.ibexmetal.com
 info@ibexmetal.com

282 GREAT NORTHERN RD
 BONNERS FERRY, ID 83805

TRIM 19

IDAHO'S BEST EXTERIORS

FRACTIONS ROUNDED TO NEAREST 1/16"
 REVISED: 7/7/2022



ARCHITECTURAL SERIES

A **A1** Profile Section Detail
 Scale: 6" = 1'-0"

CUSTOMER CATALOG

METAL ROOFING
 SIDING & TRIM

<i>Product ID :</i>	20
<i>Name :</i>	Z TRIM
<i>Description :</i>	Typically used with Standing Seam Trim



IBEX

P: (208) 565-3002
 www.ibexmetal.com
 info@ibexmetal.com

282 GREAT NORTHERN RD
 BONNERS FERRY, ID 83805

TRIM 20

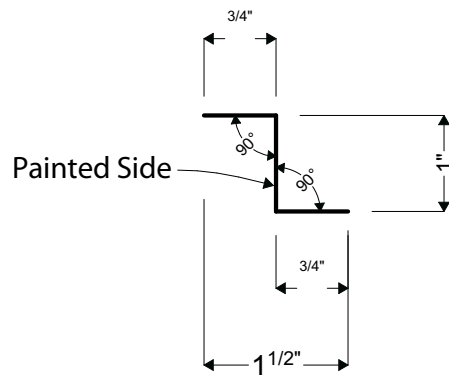
IDAHO'S BEST EXTERIORS

1

2

3

FRACTIONS ROUNDED TO NEAREST 1/16"
REVISED: 7/7/2022



ARCHITECTURAL SERIES

A **A1** Profile Section Detail
Scale: 6" = 1'-0"

A

TRIM 20B

CUSTOMER CATALOG

METAL ROOFING
SIDING & TRIM

Product ID : 20B

Name : **Z TRIM B**

Description : Typically used with Board & Batten Siding Trim



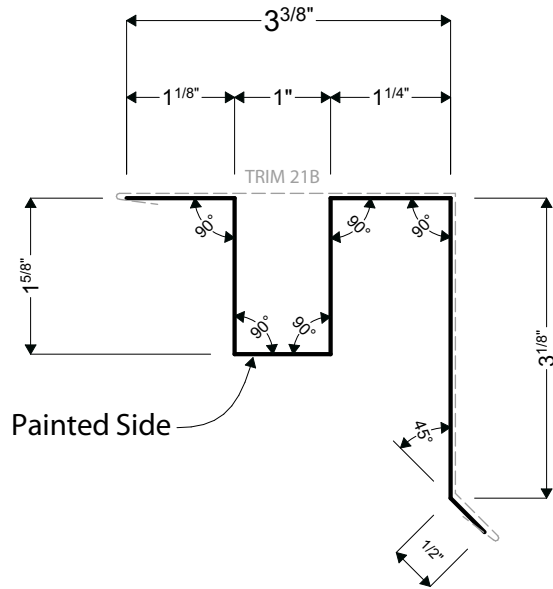
P: (208) 565-3002
www.ibexmetal.com
info@ibexmetal.com

282 GREAT NORTHERN RD
BONNERS FERRY, ID 83805

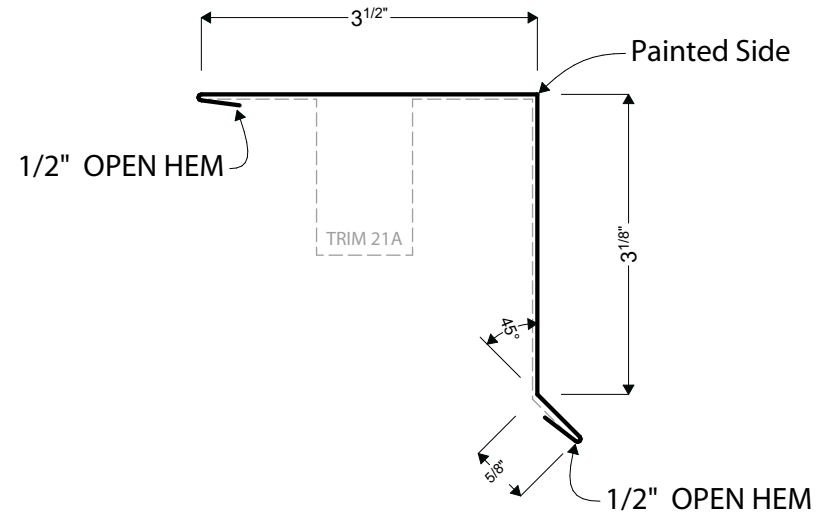
IDAHO'S BEST EXTERIORS

FRACTIONS ROUNDED TO NEAREST 1/16"
 REVISED: 8/17/2022

PART A



PART B



ARCHITECTURAL SERIES

A **A1** Profile Section Detail
 Scale: 6" = 1'-0"

A

CUSTOMER CATALOG

METAL ROOFING
 SIDING & TRIM

Product ID :	21A, 21B
Name :	TYLER RAKE
Description :	Fully Concealed Fastener Rake



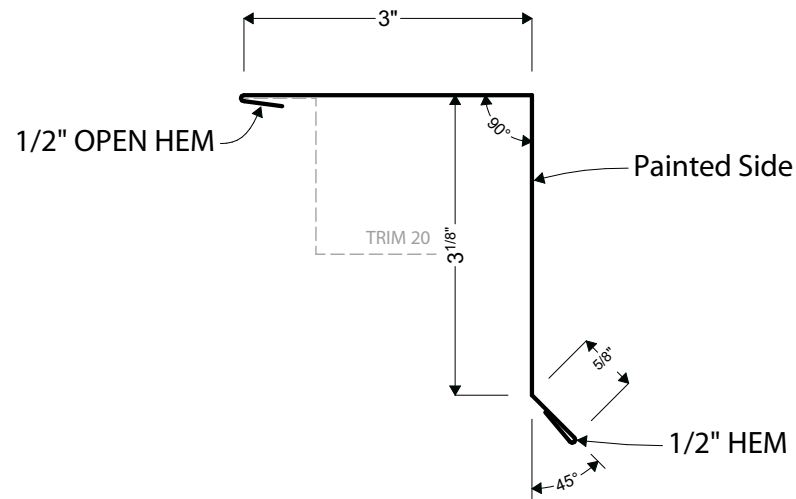
P: (208) 565-3002
 www.ibexmetal.com
 info@ibexmetal.com

282 GREAT NORTHERN RD
 BONNERS FERRY, ID 83805

TRIM 21

IDAHO'S BEST EXTERIORS

FRACTIONS ROUNDED TO NEAREST 1/16"
 REVISED: 8/30/2022



ARCHITECTURAL SERIES

A **A1** Profile Section Detail
 Scale: 6" = 1'-0"

A

CUSTOMER CATALOG

METAL ROOFING
 SIDING & TRIM

<i>Product ID :</i>	22
<i>Name :</i>	ARCHITECTURAL RAKE/GABLE
<i>Description :</i>	Roof Rake/Gable Trim for Concealed Fastener



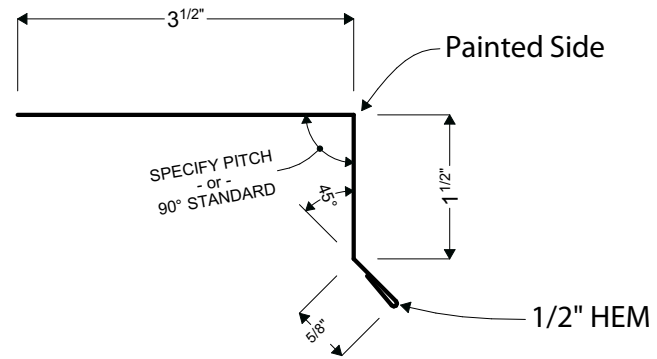
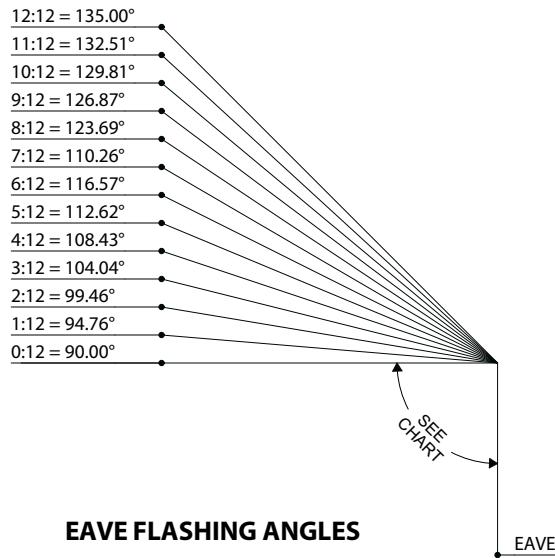
P: (208) 565-3002
www.ibexmetal.com
info@ibexmetal.com

282 GREAT NORTHERN RD
 BONNERS FERRY, ID 83805

TRIM 22

IDAHO'S BEST EXTERIORS

FRACTIONS ROUNDED TO NEAREST 1/16"
 REVISED: 8/17/2022



ARCHITECTURAL SERIES

A **A1** Profile Section Detail
 Scale: 6" = 1'-0"

A

CUSTOMER CATALOG

METAL ROOFING
 SIDING & TRIM

Product ID : 23

Name : **CONCEALED EAVE TRIM**

Description : Architectural Eave Trim (Specify Angle)



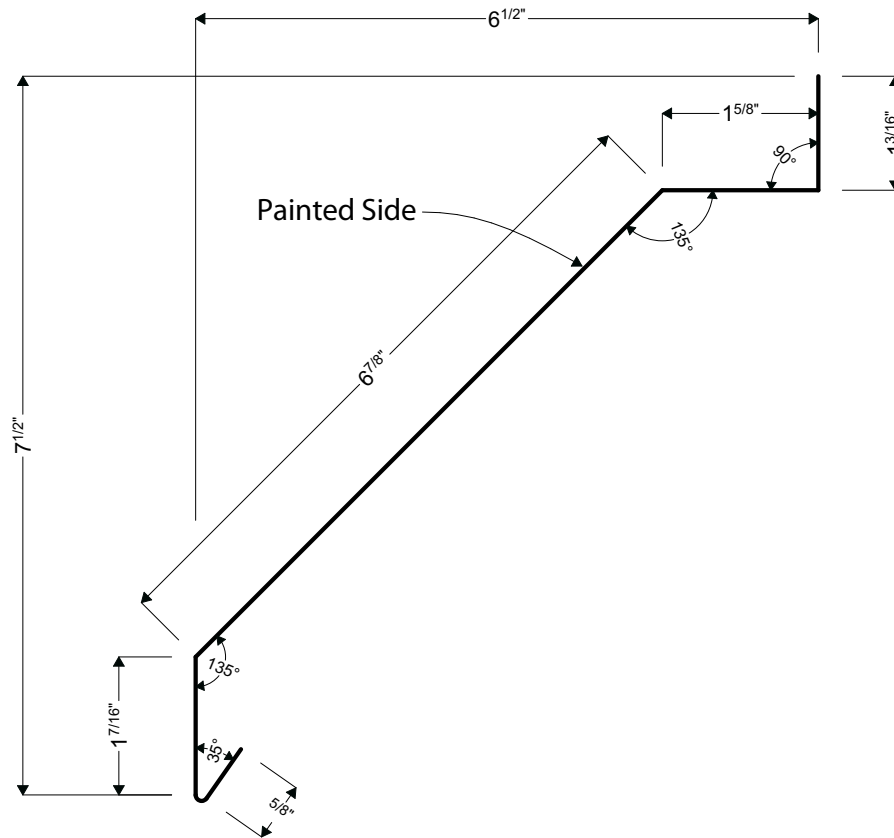
P: (208) 565-3002
 www.ibexmetal.com
 info@ibexmetal.com

282 GREAT NORTHERN RD
 BONNERS FERRY, ID 83805

TRIM 23

IDAHO'S BEST EXTERIORS

FRACTIONS ROUNDED TO NEAREST 1/16"
 REVISED: 7/7/2022



A **A1** Profile Section Detail
 Scale: 6" = 1'-0"

A

CUSTOMER CATALOG

METAL ROOFING
 SIDING & TRIM

<i>Product ID :</i>	24
<i>Name :</i>	TRACK COVER
<i>Description :</i>	Cannonball track cover



P: (208) 565-3002
www.ibexmetal.com
info@ibexmetal.com

282 GREAT NORTHERN RD
 BONNERS FERRY, ID 83805

TRIM 24

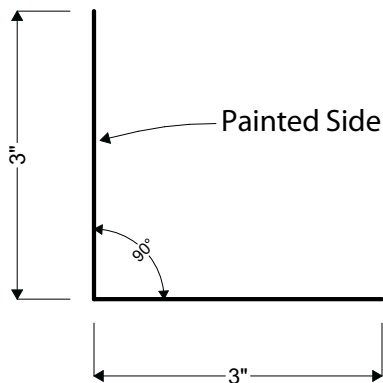
IDAHO'S BEST EXTERIORS

1

2

3

FRACTIONS ROUNDED TO NEAREST 1/16"
REVISED: 7/7/2022



A

A1 Profile Section Detail
Scale: 6" = 1'-0"

A

TRIM 25

CUSTOMER CATALOG

METAL ROOFING SIDING & TRIM

Product ID : 25

Name : **UNIVERSAL FLASHING**

Description : For Whatever You Need



P: (208) 565-3002
www.ibexmetal.com
info@ibexmetal.com

282 GREAT NORTHERN RD
BONNERS FERRY, ID 83805

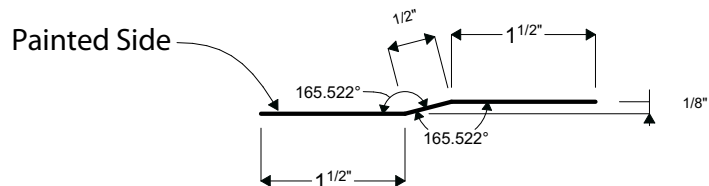
IDAHO'S BEST EXTERIORS

1

2

3

FRACTIONS ROUNDED TO NEAREST 1/16"
REVISED: 7/7/2022



ARCHITECTURAL SERIES

A **A1** Profile Section Detail
Scale: 6" = 1'-0"

A

CUSTOMER CATALOG

METAL ROOFING
SIDING & TRIM

Product ID : 26

Name : **OFFSET CLEAT**

Description : Used with Concealed Fastener



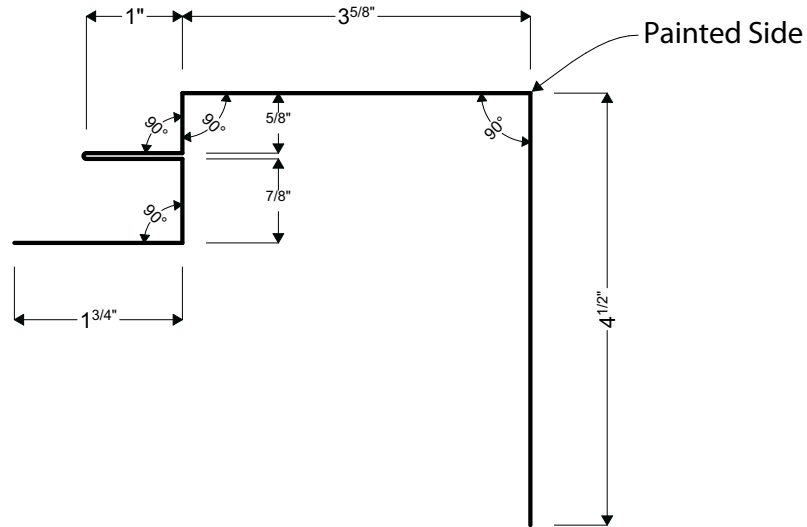
P: (208) 565-3002
www.ibexmetal.com
info@ibexmetal.com

282 GREAT NORTHERN RD
BONNERS FERRY, ID 83805

TRIM 26

IDAHO'S BEST EXTERIORS

FRACTIONS ROUNDED TO NEAREST 1/16"
 REVISED: 7/7/2022



ARCHITECTURAL SERIES

A **A1** Profile Section Detail
 Scale: 6" = 1'-0"

A

**CUSTOMER
 CATALOG**

METAL ROOFING
 SIDING & TRIM

<i>Product ID :</i>	27
<i>Name :</i>	ARCHITECTURAL POST & DOOR TRIM
<i>Description :</i>	For Trimming around Doors & Windows



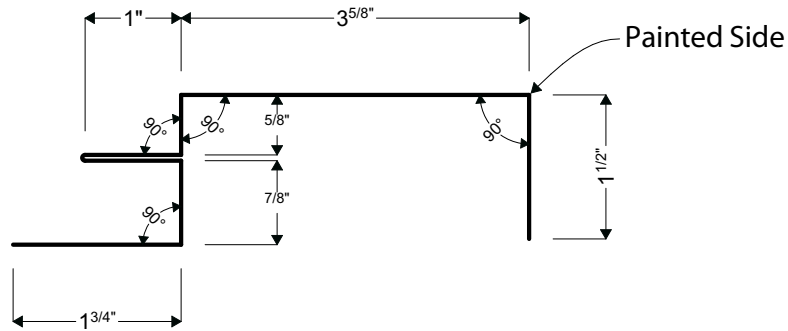
P: (208) 565-3002
 www.ibexmetal.com
 info@ibexmetal.com

282 GREAT NORTHERN RD
 BONNERS FERRY, ID 83805

TRIM 27

IDAHO'S BEST EXTERIORS

FRACTIONS ROUNDED TO NEAREST 1/16"
 REVISED: 7/17/2022



ARCHITECTURAL SERIES

A **A1** Profile Section Detail
 Scale: 6" = 1'-0"

A

CUSTOMER CATALOG

METAL ROOFING
 SIDING & TRIM

<i>Product ID :</i>	28
<i>Name :</i>	ARCHITECTURAL TRIM
<i>Description :</i>	For Trimming around Doors & Windows



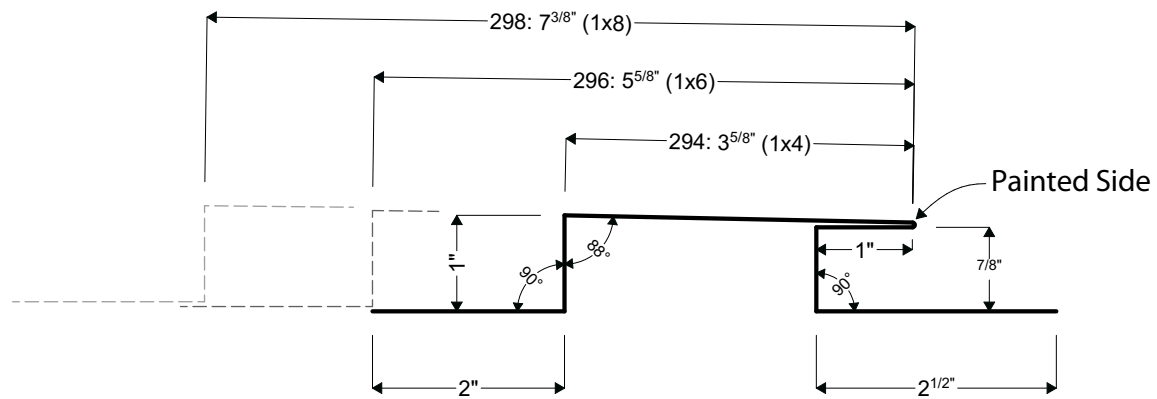
P: (208) 565-3002
 www.ibexmetal.com
 info@ibexmetal.com

282 GREAT NORTHERN RD
 BONNERS FERRY, ID 83805

TRIM 28

IDAHO'S BEST EXTERIORS

FRACTIONS ROUNDED TO NEAREST 1/16"
 REVISED: 7/7/2022



ARCHITECTURAL SERIES

A **A1** Profile Section Detail
 Scale: 6" = 1'-0"

A

CUSTOMER CATALOG

METAL ROOFING
 SIDING & TRIM

Product ID : 294, 296, 298

Name : **BOARD BAND**

Description : Larger Trim Band for Wainscoting



P: (208) 565-3002
 www.ibexmetal.com
 info@ibexmetal.com

282 GREAT NORTHERN RD
 BONNERS FERRY, ID 83805

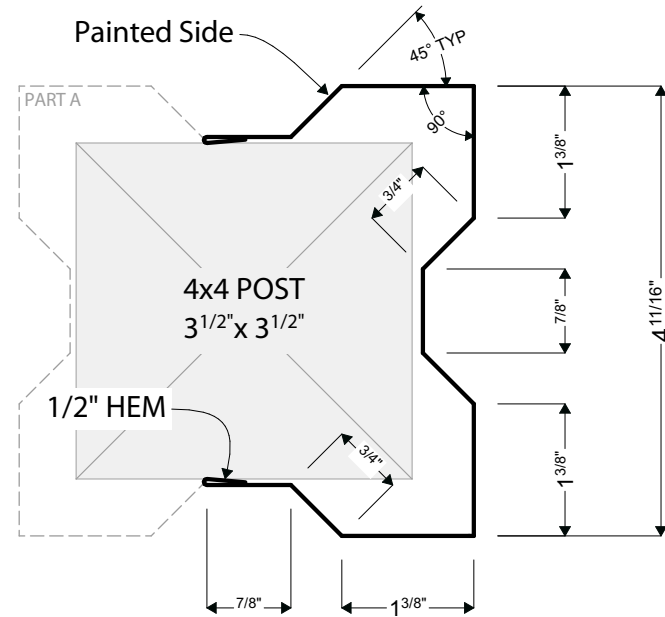
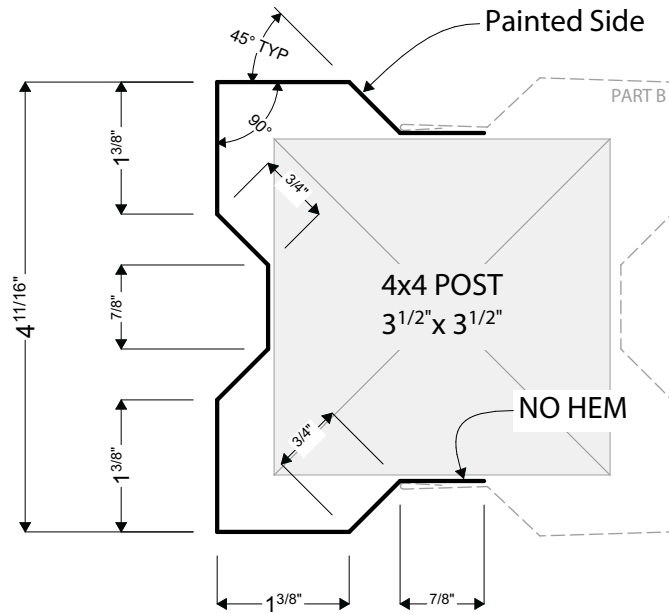
TRIM 29

IDAHO'S BEST EXTERIORS

FRACTIONS ROUNDED TO NEAREST 1/16"
 REVISED: 7/7/2022

PART A

PART B



A **A1** Profile Section Detail
 Scale: 6" = 1'-0"

A

CUSTOMER CATALOG

METAL ROOFING
 SIDING & TRIM

Product ID : 304A, 304B

Name : **4x4 POST WRAP**

Description : 2-Piece full post wrap for 4x4



P: (208) 565-3002
www.ibexmetal.com
info@ibexmetal.com

282 GREAT NORTHERN RD
 BONNERS FERRY, ID 83805

1

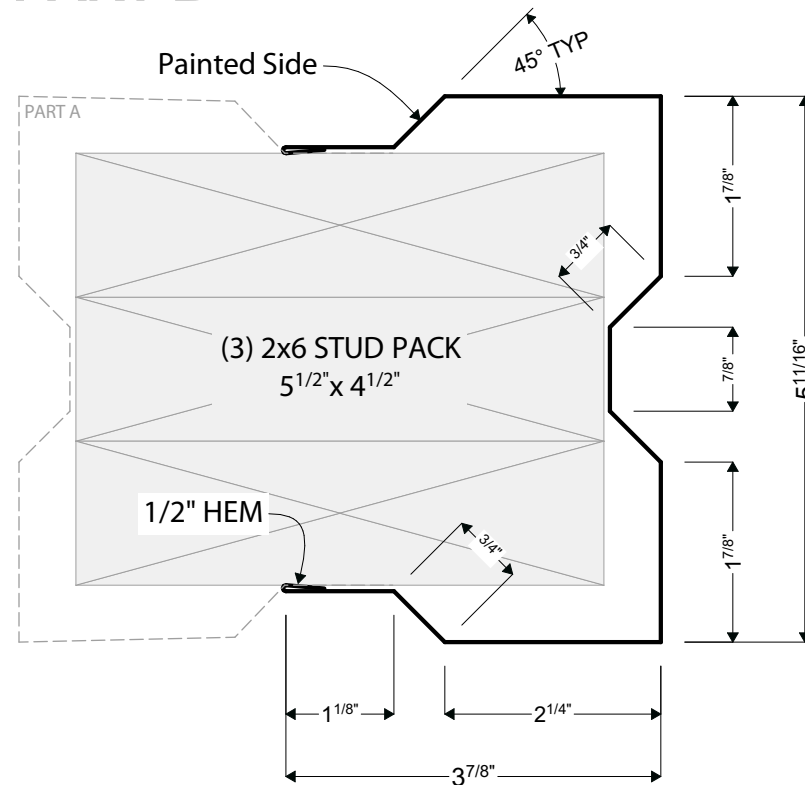
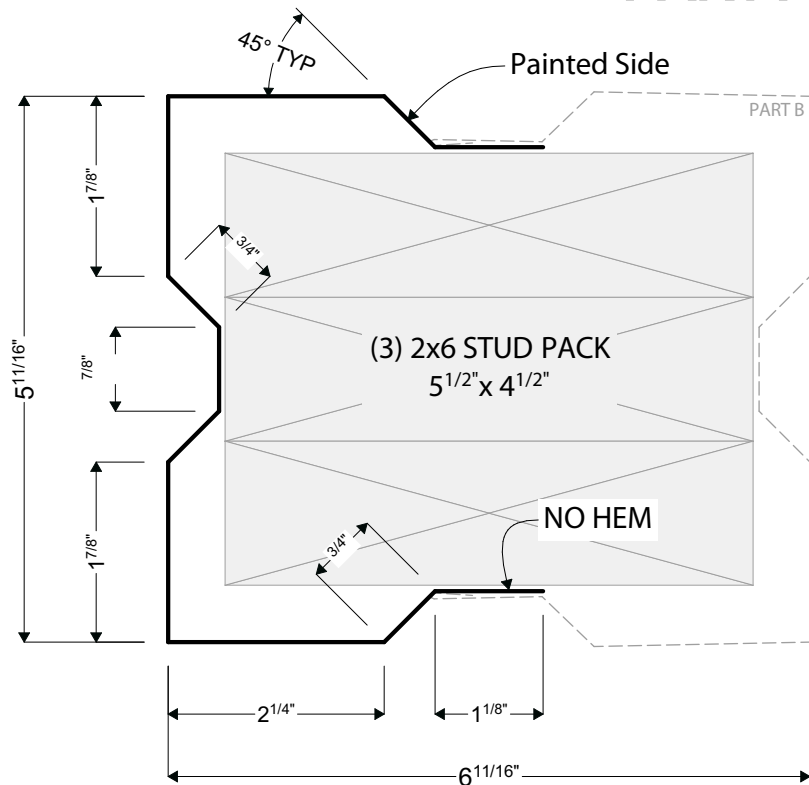
2

3

FRACTIONS ROUNDED TO NEAREST 1/16"
 REVISED: 7/7/2022

PART A

PART B



A

A1 Profile Section Detail
 Scale: 6" = 1'-0"

A

CUSTOMER CATALOG

METAL ROOFING
 SIDING & TRIM

Product ID : 305A, 305B

Name : **(3) 2x6 STUD POST WRAP**

Description : 2-Piece full post wrap for triple 2x6



P: (208) 565-3002
 www.ibexmetal.com
 info@ibexmetal.com

282 GREAT NORTHERN RD
 BONNERS FERRY, ID 83805

TRIM 305

IDAHO'S BEST EXTERIORS

1

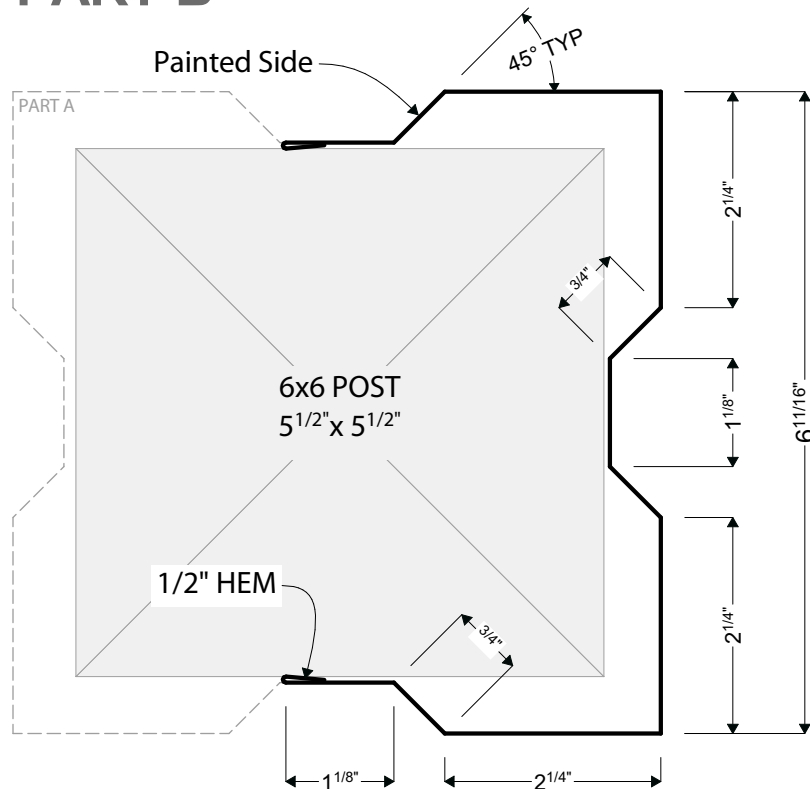
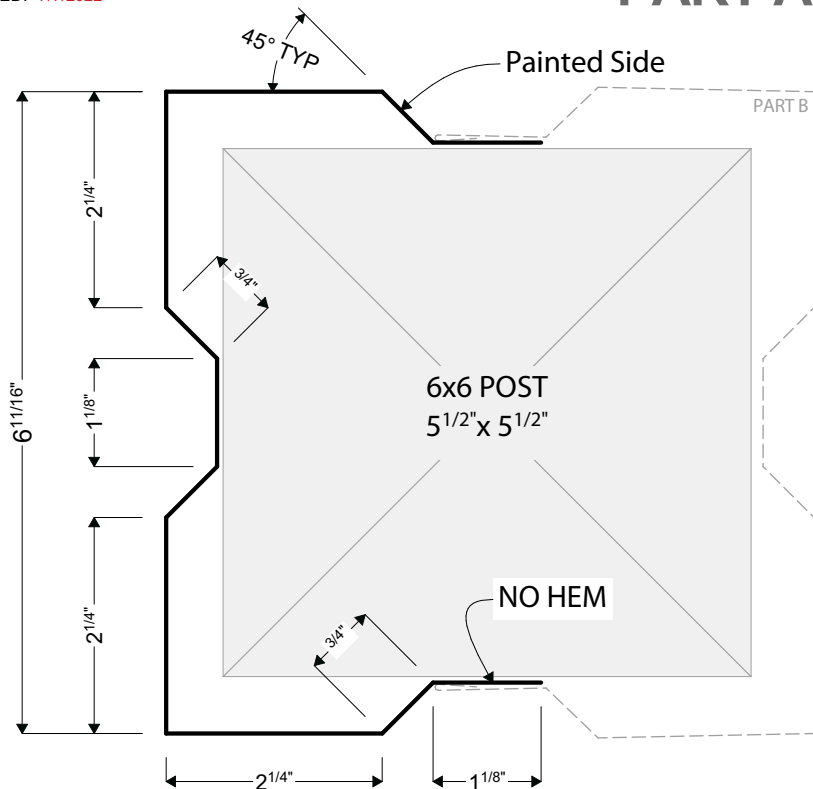
2

3

FRACTIONS ROUNDED TO NEAREST 1/16"
REVISED: 7/7/2022

PART A

PART B



A **A1** Profile Section Detail
Scale: 6" = 1'-0"

A

TRIM 306

CUSTOMER CATALOG

METAL ROOFING SIDING & TRIM

Product ID : 306A, 306B

Name : **6x6 POST WRAP**

Description : 2-Piece full post wrap for 6x6



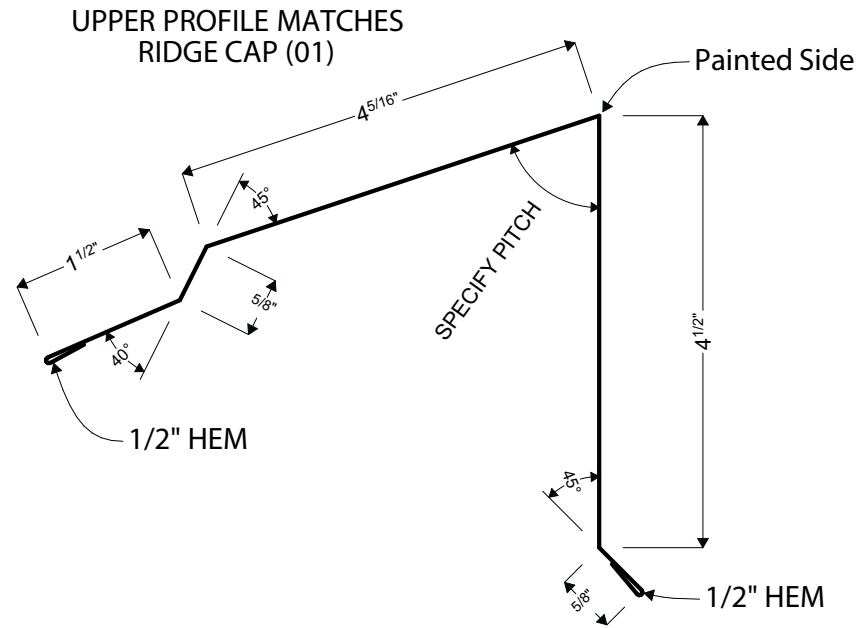
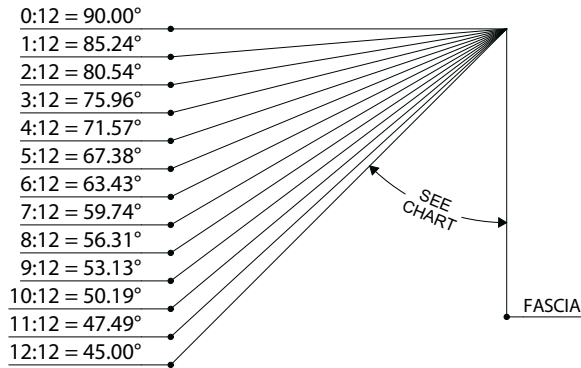
P: (208) 565-3002
www.ibexmetal.com
info@ibexmetal.com

282 GREAT NORTHERN RD
BONNERS FERRY, ID 83805

IDAHO'S BEST EXTERIORS

FRACTIONS ROUNDED TO NEAREST 1/16"
 REVISED: 8/17/2022

PEAK FLASHING ANGLES



A **A1** Profile Section Detail
 Scale: 6" = 1'-0"

A

CUSTOMER CATALOG

METAL ROOFING
 SIDING & TRIM

<i>Product ID :</i>	31
<i>Name :</i>	PEAK FLASHING
<i>Description :</i>	Upper peak/eave flashing for single slope roof



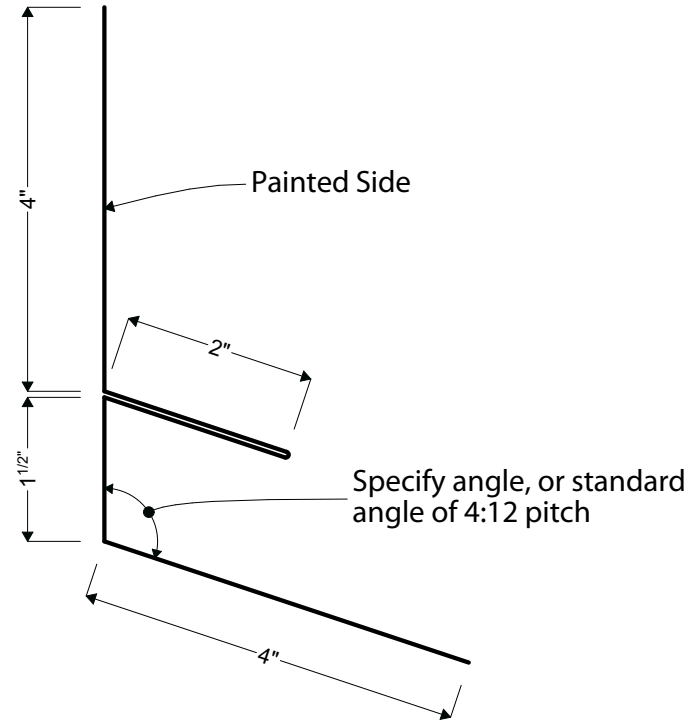
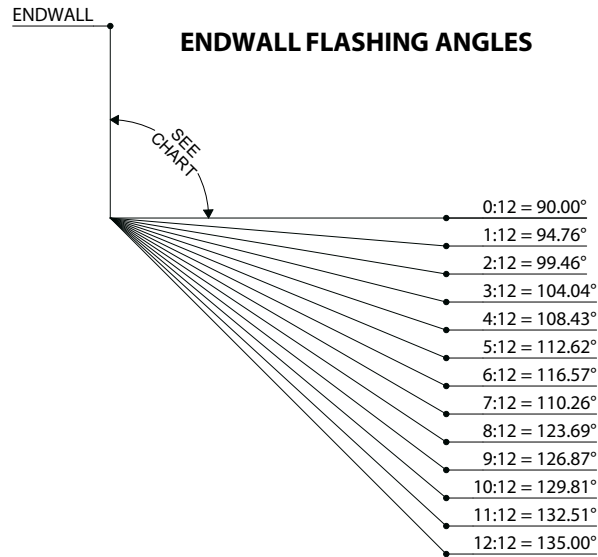
P: (208) 565-3002
www.ibexmetal.com
info@ibexmetal.com

282 GREAT NORTHERN RD
 BONNERS FERRY, ID 83805

TRIM 31

IDAHO'S BEST EXTERIORS

FRACTIONS ROUNDED TO NEAREST 1/16"
 REVISED: 7/17/2022



ARCHITECTURAL SERIES

A **A1** Profile Section Detail
 Scale: 6" = 1'-0"

A

CUSTOMER CATALOG

METAL ROOFING
 SIDING & TRIM

<i>Product ID :</i>	50
<i>Name :</i>	TRIM FIRST ENDWALL
<i>Description :</i>	Endwall Flashing for Concealed Fastener



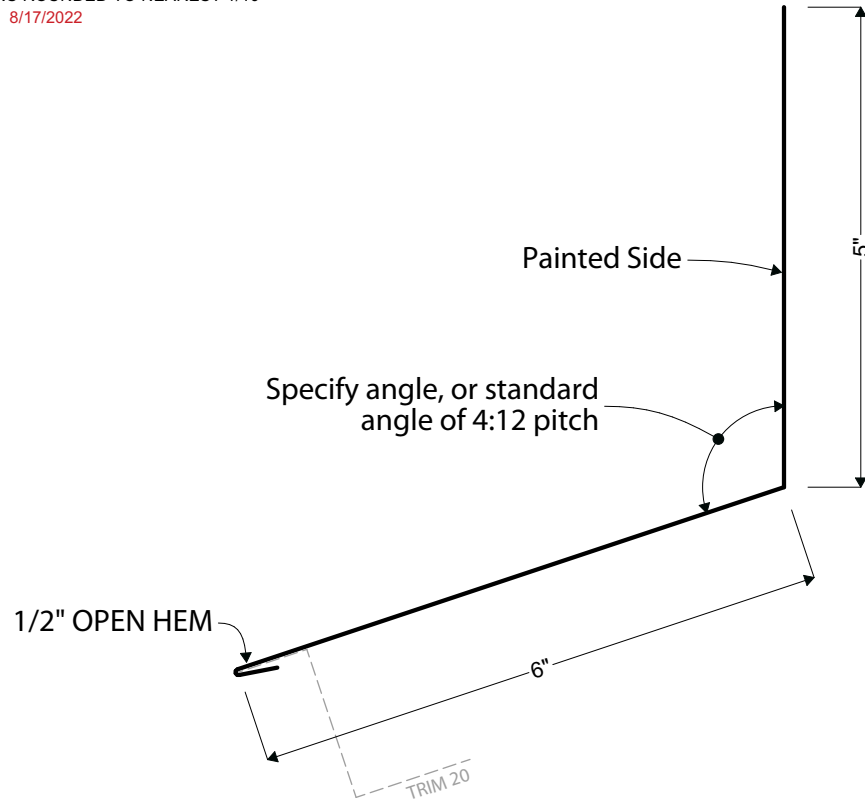
P: (208) 565-3002
 www.ibexmetal.com
 info@ibexmetal.com

282 GREAT NORTHERN RD
 BONNERS FERRY, ID 83805

TRIM 50

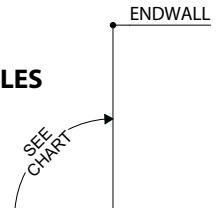
IDAHO'S BEST EXTERIORS

FRACTIONS ROUNDED TO NEAREST 1/16"
 REVISED: 8/17/2022



ENDWALL FLASHING ANGLES

- 0:12 = 90.00°
- 1:12 = 94.76°
- 2:12 = 99.46°
- 3:12 = 104.04°
- 4:12 = 108.43°
- 5:12 = 112.62°
- 6:12 = 116.57°
- 7:12 = 110.26°
- 8:12 = 123.69°
- 9:12 = 126.87°
- 10:12 = 129.81°
- 11:12 = 132.51°
- 12:12 = 135.00°



ARCHITECTURAL SERIES

A **A1** Profile Section Detail
 Scale: 6" = 1'-0"

A

CUSTOMER CATALOG

METAL ROOFING
 SIDING & TRIM

Product ID : 50B

Name : **STANDING SEAM ENDWALL**

Description : Endwall Flashing for Concealed Fastener



P: (208) 565-3002
 www.ibexmetal.com
 info@ibexmetal.com

282 GREAT NORTHERN RD
 BONNERS FERRY, ID 83805

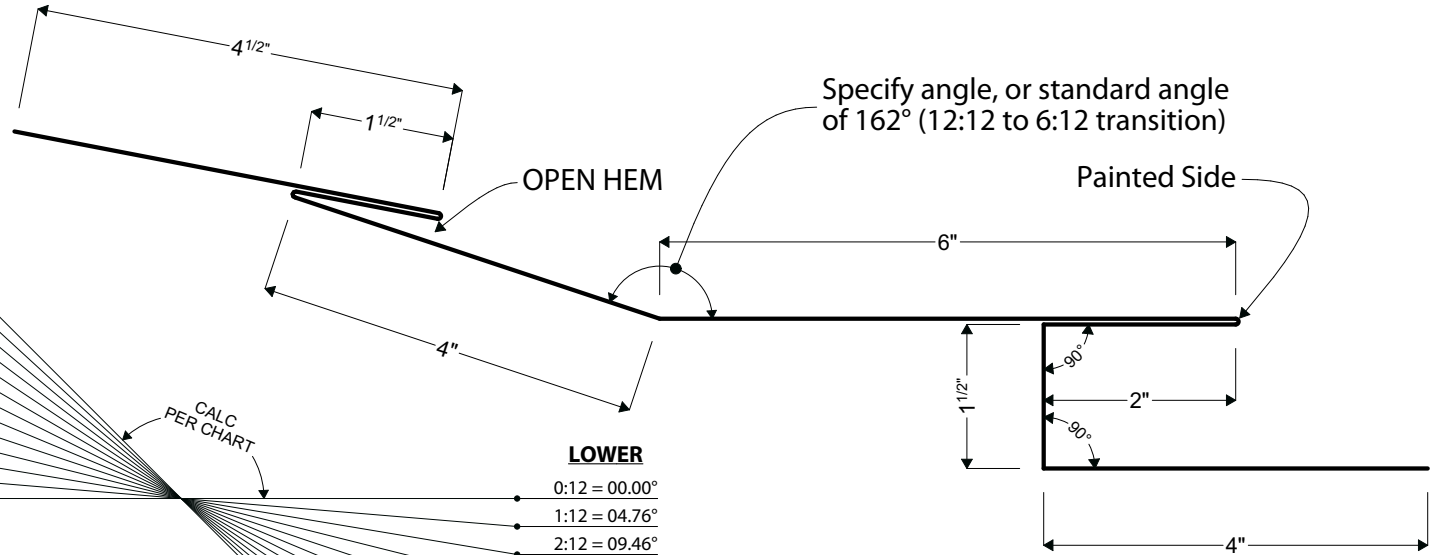
TRIM 50B

IDAHO'S BEST EXTERIORS

FRACTIONS ROUNDED TO NEAREST 1/16"
 REVISED: 7/7/2022

UPPER

- 12:12 = 135.00°
- 11:12 = 137.49°
- 10:12 = 140.19°
- 9:12 = 143.13°
- 8:12 = 146.31°
- 7:12 = 159.74°
- 6:12 = 153.43°
- 5:12 = 157.38°
- 4:12 = 161.57°
- 3:12 = 165.96°
- 2:12 = 170.54°
- 1:12 = 175.24°
- 0:12 = 180.00°



LOWER

- 0:12 = 00.00°
- 1:12 = 04.76°
- 2:12 = 09.46°
- 3:12 = 14.04°
- 4:12 = 18.43°
- 5:12 = 22.62°
- 6:12 = 26.57°
- 7:12 = 20.26°
- 8:12 = 33.69°
- 9:12 = 36.87°
- 10:12 = 39.81°
- 11:12 = 42.51°
- 12:12 = 45.00°

PITCH BREAK FLASHING ANGLES:
 UPPER ANGLE° + LOWER ANGLE° = PITCH BREAK ANGLE°

ARCHITECTURAL SERIES

A **A1** Profile Section Detail
 Scale: 6" = 1'-0"

A

CUSTOMER CATALOG

METAL ROOFING
 SIDING & TRIM

Product ID :	51
Name :	TRIM FIRST PITCH BREAK
Description :	Pitch Break for Concealed Fastener



P: (208) 565-3002
 www.ibexmetal.com
 info@ibexmetal.com

282 GREAT NORTHERN RD
 BONNERS FERRY, ID 83805

TRIM 51

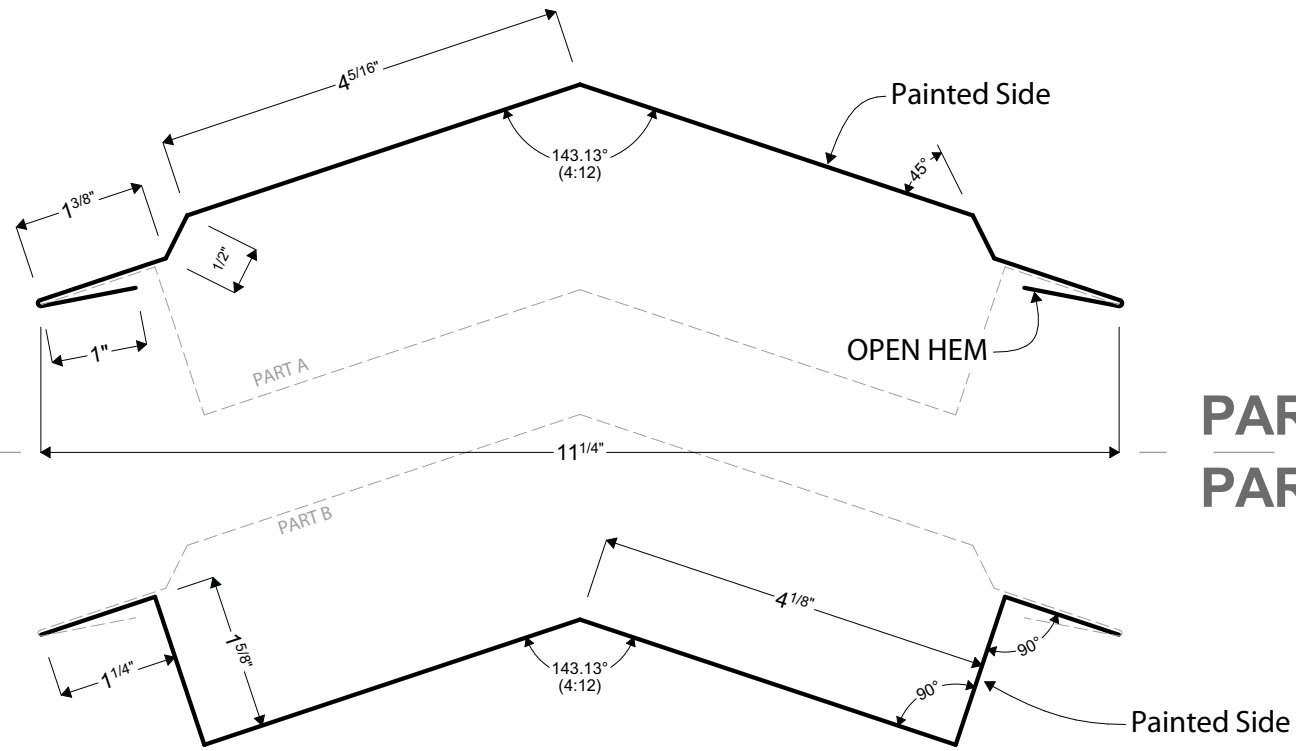
IDAHO'S BEST EXTERIORS

1

2

3

FRACTIONS ROUNDED TO NEAREST 1/16"
REVISED: 7/7/2022



PART B
PART A

ARCHITECTURAL SERIES

A **A1** Profile Section Detail
Scale: 6" = 1'-0"

A

**CUSTOMER
CATALOG**

**METAL ROOFING
SIDING & TRIM**

Product ID : 524A, 524B

Name : **RIDGE 4:12 (TRIM FIRST)**

Description : Trim First Ridge (4:12 pitch)



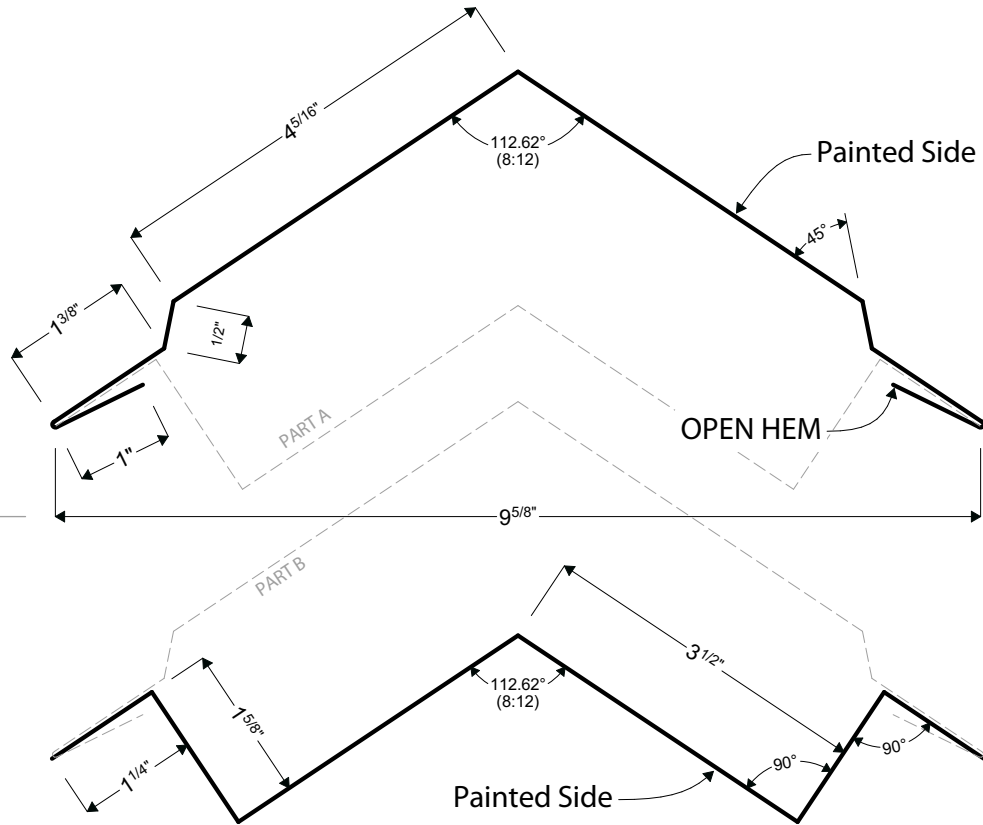
P: (208) 565-3002
www.ibexmetal.com
info@ibexmetal.com

282 GREAT NORTHERN RD
BONNERS FERRY, ID 83805

TRIM 524

IDAHO'S BEST EXTERIORS

FRACTIONS ROUNDED TO NEAREST 1/16"
 REVISED: 7/7/2022



PART B
PART A

ARCHITECTURAL SERIES

A **A1** Profile Section Detail
 Scale: 6" = 1'-0"

A

**CUSTOMER
 CATALOG**

Product ID : 528A, 528B

Name : **RIDGE 8:12 (TRIM FIRST)**

Description : Trim First Ridge (8:12 pitch)



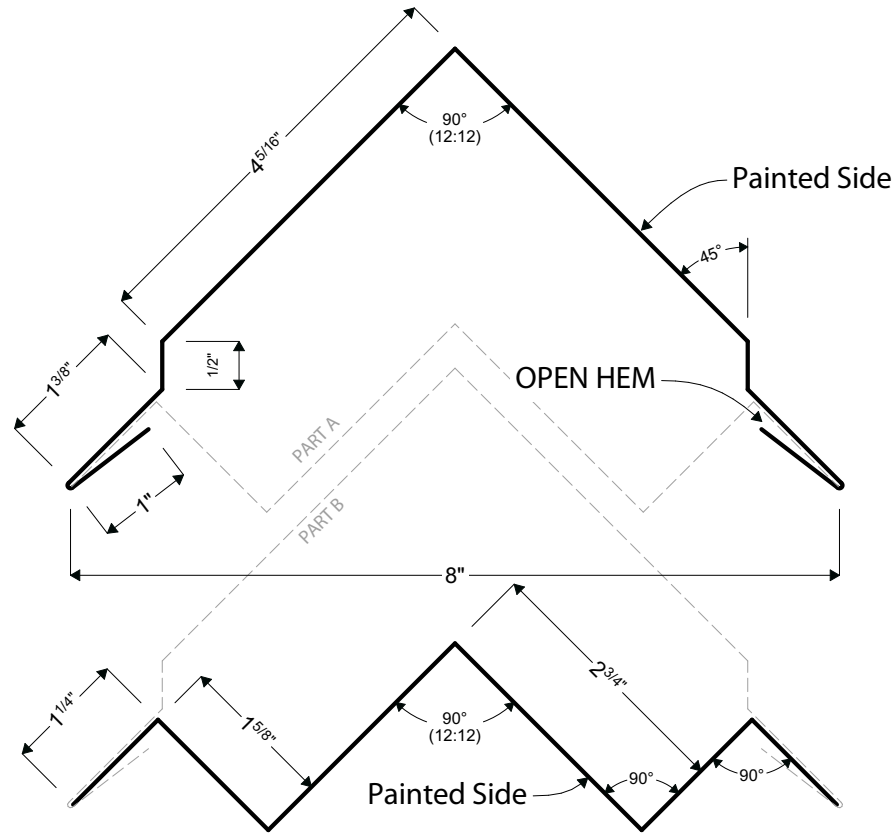
P: (208) 565-3002
 www.ibexmetal.com
 info@ibexmetal.com

282 GREAT NORTHERN RD
 BONNERS FERRY, ID 83805

TRIM 528

IDAHO'S BEST EXTERIORS

FRACTIONS ROUNDED TO NEAREST 1/16"
 REVISED: 7/7/2022



PART B
 PART A

ARCHITECTURAL SERIES

A **A1** Profile Section Detail
 Scale: 6" = 1'-0"

A

**CUSTOMER
 CATALOG**

METAL ROOFING
 SIDING & TRIM

Product ID :	5212A, 5212B
Name :	RIDGE 12:12 (TRIM FIRST)
Description :	Trim First Ridge (12:12 pitch)



P: (208) 565-3002
 www.ibexmetal.com
 info@ibexmetal.com

282 GREAT NORTHERN RD
 BONNERS FERRY, ID 83805

TRIM 5212

IDAHO'S BEST EXTERIORS