

1

2

3



IBEX

IDAHO'S BEST EXTERIORS

A

A

PROPERTY OF IBEX
 NOT FOR REPRODUCTION WITHOUT PRIOR
 WRITTEN CONSENT OF IBEX METAL, LLC

**PRODUCT
 CATALOG**

METAL ROOFING
 SIDING & TRIM

**PANEL & TRIM
 REFERENCE**



Metal Roofing, Siding, and Trim

P: 208-565-3002
www.ibexmetal.com
info@ibexmetal.com

282 Great Northern Road
 Bonners Ferry, ID 83805

1

PRODUCT CATALOG

COVER

INDEX

i INDEX

PANELS

- GR8 TUFF-RIB (GR8)
- GR818 TUFF-RIB 18" (GR8)
- GR824 TUFF-RIB 24" (GR8)
- 1SL SNAPLOCK PANEL 16
- SL SNAPLOCK PANEL
- 15SS 1.5" STANDING SEAM
- 2SS STANDING SEAM PANEL
- 2SS STANDING SEAM PANEL (14...
- BB BOARD & BATTEN (SIDING)

SOFF... SOFFIT PANEL

TRIM

- 01 RIDGE
- 01F RIDGE (FOLDED)
- 01R RIDGE (RIBBED)
- 01B RIDGE (ARCH'L)
- 01C RIDGE (OVERSIZE)
- 01H RIDGE (HERITAGE)
- 02 VALLEY
- 02B VALLEY (JUMBO)
- 02C VALLEY (CLEATED)
- 02D VALLEY (CLEATED-JUMBO)
- 03 PROW
- 04 PITCH BREAK
- 04B PITCH BREAK (JUMBO)
- 04C ENDWALL
- 04D ENDWALL (JUMBO)
- 04E SIDEWALL
- 04F SIDEWALL (JUMBO)
- 04G PITCH BREAK (CLEATED)
- 04I ENDWALL (STEPPED)
- 05 J-CHANNEL
- 05B J-CHANNEL (MINI)

- 2
- 05C J-CHANNEL (FULL-WRAP)
 - 05D J-CHANNEL (REVERSE OVE...
 - 05E J-CHANNEL (1")
 - 05F J-CHANNEL (1" FULL WRAP)
 - 05G J-CHANNEL (FULL WRAP MINI)
 - 06 GABLE (MINI)
 - 06B GABLE (MINI MINI)
 - 06C GABLE (OVERSIZE)
 - 06D GABLE (SNAPLOCK SS 1.5")
 - 06E GABLE (SNAPLOCK SS 1")
 - 07 EAVE (MINI)
 - 07B EAVE (STANDING SEAM)
 - 07C EAVE (STANDING SEAM - JU...
 - 08 I/S CORNER
 - 08B I/S CORNER (ARCH'L)
 - 08C I/S CORNER (TRIM FIRST)
 - 08D 1" I/S CORNER (TRIM FIRST)
 - 09 DRIP EDGE
 - 09B DRIP EDGE B
 - 09C DRIP EDGE C
 - 09D DRIP EDGE SSA 2"
 - 10 POST TRIM
 - 10B POST TRIM (NO HEM)
 - 10C FASCIA (PLAIN)
 - 10R FASCIA (RIBBED)
 - 10D INSIDE ANGLE
 - 10E BIG RIB FASCIA
 - 11 RAT GUARD
 - 11B RAT GUARD (FAT)
 - 11C RAT GUARD (1")
 - 12 SNOW GUARD
 - 12B SNOW GUARD (MINI)
 - 13 L BASE
 - 13B L BASE (1")
 - 13C L BASE (FULL WRAP)
 - 14 O/S CORNER
 - 14F O/S CORNER (FOLDED)
 - 14R O/S CORNER (RIBBED)

- 3
- 14B O/S CORNER (OVERSIZE)
 - 14C O/S CORNER (MINI)
 - 14D O/S CORNER (ARCH'L)
 - 14E O/S CORNER (TRIM FIRST)
 - 14G 1" O/S CORNER (TRIM FIRST)
 - 14H O/S CORNER (HERITAGE)
 - 15 WALL LITE
 - 15B WALL LITE (FULL WRAP)
 - 15C WALL LITE (1")
 - 15D WALL LITE (1" FULL WRAP)
 - 16 FJ TRIM
 - 16B FJ TRIM (MINI)
 - 16C FJ TRIM (FULL WRAP)
 - 16D FJ TRIM (MINI - FULL WRAP)
 - 16E FJ TRIM (1" MINI)
 - 16F FJ TRIM (1" MINI - FULL WR...
 - 17 FJ TRIM (POST)
 - 17B 1" POST (FJ) TRIM
 - 17C HEADER TRIM
 - 17D 1" HEADER TRIM
 - 18 ROOF TO WALL
 - 19 B & B CLEAT
 - 20 Z TRIM
 - 20B Z TRIM B
 - 20C Z TRIM C
 - 20D Z TRIM D
 - 21 1"TRIM FIRST RAKE
 - 21B 1.5 " TRIM FIRST RAKE
 - 22 RAKE/GABLE (1.5" ARCH'L)
 - 22C RAKE/GABLE (1" ARCH'L)
 - 22D RAKE/GABLE (1.5" ARCH'L - ...
 - 23 EAVE (CONCEALED)
 - 24 TRACK COVER
 - 25 UNIVERSAL
 - 26 OFFSET CLEAT
 - 26B CLEAT
 - 27 POST/DOOR TRIM (ARCH'L)
 - 28 WIN/DOOR TRIM (ARCH'L)

- 29 BOARD BAND
- 29B BOARD BAND (1")
- 304 POST WRAP (4x4)
- 305 POST WRAP (3x STUDS)
- 306 POST WRAP (6x6)
- 31 PEAK FLASHING (SINGLE S...
- 31B PEAK FLASHING (ARCH'L)
- 31C PEAK FLASHING (JUMBO A...
- 31D ARCH'L PEAK FLASHING
- 32 REGLET FLASHING
- 33 SNOW DIVERTER
- 34 SOFFIT TRIM
- 34B MINI SOFFIT TRIM
- 34C 1" MINI SOFFIT TRIM
- 50 ENDWALL (TRIM FIRST)
- 50A ENDWALL (TRIM FIRST 1")
- 50B ENDWALL (STANDING SEAM)
- 50C SIDEWALL (STANDING SEAM)
- 60 EAVE/GAMBREL (PINE HILL)
- 61 O/S CORNER (PINE HILL)
- 62 COLOR GUARD
- 63 EAVE (BEACHY BUILDING)
- 64 DRIP EDGE (ADEX ROOFING)
- 65 GABLE (ADEX ROOFING)
- 66 RIDGE (ADEX ROOFING)
- 67 Z TRIM (ADEX ROOFING)
- 79 J CHANNEL (INTEGRITY)
- 80 SOFFIT C METAL (SSA)
- 81 SOFFIT JAMB (SSA)
- 82 - 88 DOOR JAMB (SSA)
- 89, 90 FASCIA - RIBBED (SSA)
- 91 FJ TRIM - 2" (SSA)
- 92 FJ TRIM - 2" MINI (SSA)
- 93 - 99 OPEN JAMB (SSA)

A

A

PRODUCT CATALOG

METAL ROOFING SIDING & TRIM

PROPERTY OF IBEX
NOT FOR REPRODUCTION WITHOUT PRIOR
WRITTEN CONSENT OF IBEX METAL, LLC

INDEX I

PRODUCT CATALOG INDEX



IBEX

IDAHO'S BEST EXTERIORS

Metal Roofing, Siding, and Trim

P: 208-565-3002
www.ibexmetal.com
info@ibexmetal.com

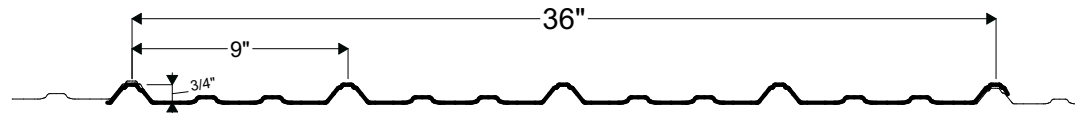
282 Great Northern Road
Bonners Ferry, ID 83805

1

2

3

FRACTIONS ROUNDED TO NEAREST 1/16"
 REVISED: 12/12/23



- Available with DRIPSTOP®
- No MIN or MAX length requirements
- 36" Coverage
- 3/4" Rib Height
- Vented panel available
- 3:12 MIN recommended roof pitch
- 1:12 MIN pitch w/Seam Sealant

A

A1 Profile Section Detail
 Scale: 1 1/2" = 1'-0"

A

PANELS GR8

Product ID : GR8/GR8WDS

Name : TUFF-RIB (GR8)

Description : Available with DRIPSTOP



Metal Roofing, Siding, and Trim

P: 208-565-3002
 www.ibexmetal.com
 info@ibexmetal.com

282 Great Northern Road
 Bonners Ferry, ID 83805

PANELS GR8

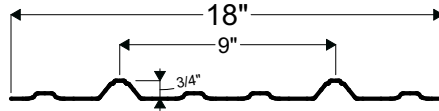
PROPERTY OF IBEX
 NOT FOR REPRODUCTION WITHOUT PRIOR
 WRITTEN CONSENT OF IBEX METAL, LLC

1

2

3

FRACTIONS ROUNDED TO NEAREST 1/16"
REVISED: 12/15/23



- Vented Panel available
- Match trim length requirements
- 18" Coverage
- 3/4" Rib Height

A **A1** Profile Section Detail
Scale: 1 1/2"= 1'-0"

PANELS GR818

PROPERTY OF IBEX
 NOT FOR REPRODUCTION WITHOUT PRIOR
 WRITTEN CONSENT OF IBEX METAL, LLC

<i>Product ID :</i>	GR818/GR818WPERF
<i>Name :</i>	18" TUFF-RIB (GR8)
<i>Description :</i>	Soffit Panel



IBEX

Metal Roofing, Siding, and Trim
 P: 208-565-3002
www.ibexmetal.com
info@ibexmetal.com
 282 Great Northern Road
 Bonners Ferry, ID 83805

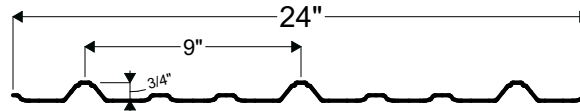
IDAHO'S BEST EXTERIORS

1

2

3

FRACTIONS ROUNDED TO NEAREST 1/16"
REVISED: 12/15/23



- Vented Panel Available
- Match trim length requirements
- 24" Coverage
- 3/4" Rib Height

A1 Profile Section Detail
Scale: 1 1/2"= 1'-0"

PROPERTY OF IBEX NOT FOR REPRODUCTION WITHOUT PRIOR WRITTEN CONSENT OF IBEX METAL, LLC	PANELS GR824	
	Product ID :	GR824/GR824WPERF
	Name :	24" TUFF-RIB (GR8)

Product ID :	GR824/GR824WPERF
Name :	24" TUFF-RIB (GR8)
Description :	Soffit Panel



Metal Roofing, Siding, and Trim
 P: 208-565-3002
 www.ibexmetal.com
 info@ibexmetal.com
 282 Great Northern Road
 Bonners Ferry, ID 83805

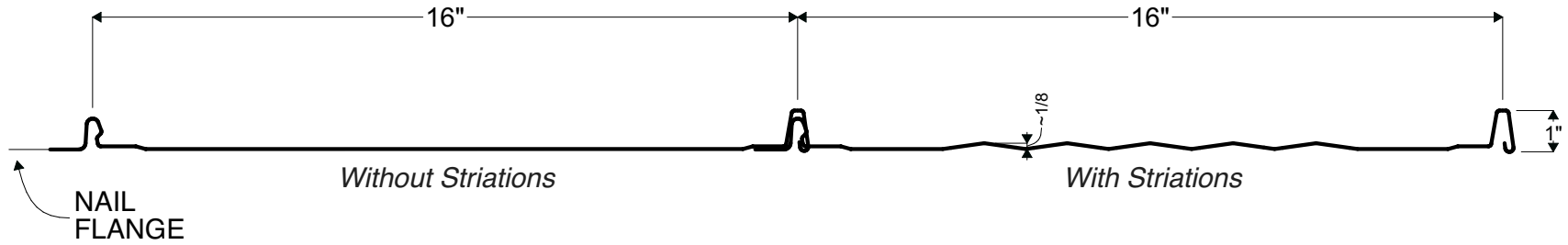
PANELS GR824

1

2

3

FRACTIONS ROUNDED TO NEAREST 1/16"
REVISED: 1/12/23



- Concealed Fastener
- No MIN or MAX length requirements
- Available as Pre-Notched Panel
- 3:12 MIN recommended roof pitch
- Striations recommended to reduce oil canning
- 16" Coverage • 1" Rib Height
- 26ga • 24ga

A1 Profile Section Detail
Scale: 3" = 1'-0"

PANELS 1SL

Product ID :	1SL/1SLWS
Name :	1" SNAPLOCK PANEL (16")
Description :	Roof Panel - SnapLock Panel



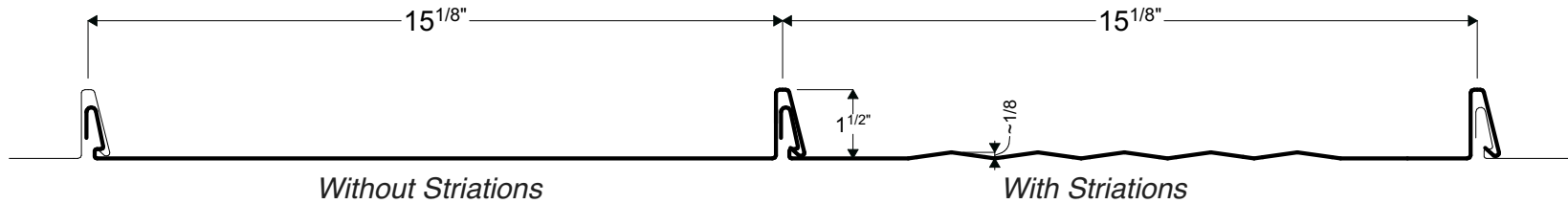
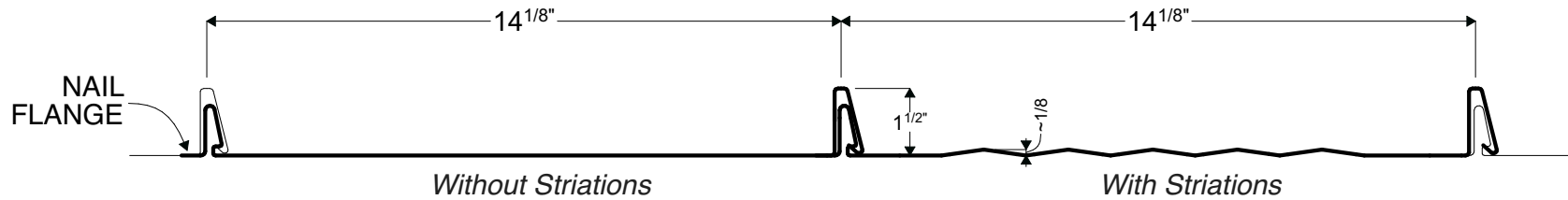
Metal Roofing, Siding, and Trim
 P: 208-565-3002
 www.ibexmetal.com
 info@ibexmetal.com
 282 Great Northern Road
 Bonners Ferry, ID 83805

PANELS 1SL

PROPERTY OF IBEX
NOT FOR REPRODUCTION WITHOUT PRIOR
WRITTEN PERMISSION OF IBEX METAL, LLC

1 2 3

FRACTIONS ROUNDED TO NEAREST 1/16"
 REVISED: 1/12/23



- Concealed Fastener
- No MIN or MAX length requirements
- Available as Pre-Notched Panel
- 3:12 MIN recommended roof pitch
- Striations recommended to reduce oil canning
- 14 1/8" or 15 1/8" Coverage
- 1 1/2" Rib Height
- 26ga • 24ga

A1 Profile Section Detail
 Scale: 3" = 1'-0"

PROPERTY OF IBEX NOT FOR REPRODUCTION WITHOUT PRIOR WRITTEN CONSENT OF IBEX METAL, LLC	PANELS SL
	PANELS SL

Product ID :	SL/SLWS
Name :	1 1/2" SNAPLOCK PANEL
Description :	Roof Panel - SnapLock Panel



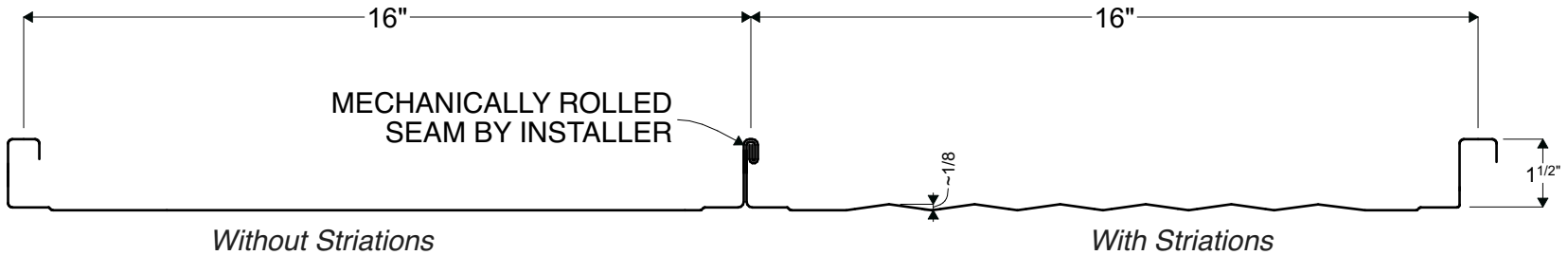
Metal Roofing, Siding, and Trim
 P: 208-565-3002
 www.ibexmetal.com
 info@ibexmetal.com
 282 Great Northern Road
 Bonners Ferry, ID 83805

1

2

3

FRACTIONS ROUNDED TO NEAREST 1/16"
 REVISED: *Work in Progress*



- Concealed Fastener
- No MIN or MAX length requirements
- 16" coverage
- 1.5" Seam Height

- 2:12 MIN recommended roof pitch
- Striations recommended to reduce oil canning
- Requires Seamer Tool
- 26ga -24ga

A1 Profile Section Detail
 Scale: 3" = 1'-0"

PANELS 15SS

Product ID : 15SS/15SSWS

Name : 1.5" STANDING SEAM (16")

Description : Roof Panel - Standing Seam
 Mechanically Seamed w/Concealed Fastener



Metal Roofing, Siding, and Trim

P: 208-565-3002
 www.ibexmetal.com
 info@ibexmetal.com

282 Great Northern Road
 Bonners Ferry, ID 83805

PANELS 15SS

PROPERTY OF IBEX
 NOT FOR REPRODUCTION WITHOUT PRIOR
 WRITTEN CONSENT OF IBEX METAL, LLC

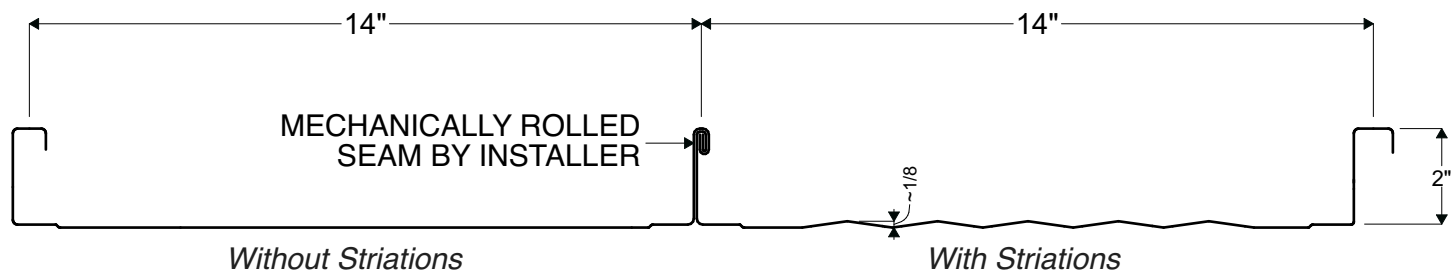
1

2

3

FRACTIONS ROUNDED TO NEAREST 1/16"

REVISED: 1/12/23



- Concealed Fastener
- No MIN or MAX length requirements
- 14" coverage
- 2" Seam Height

- 2:12 MIN recommended roof pitch
- 1/2:12 MIN roof pitch w/Seam Sealant
- Striations recommended to reduce oil canning
- Requires Seamer Tool
- 26ga • 24ga

A

A1 Profile Section Detail

Scale: 3" = 1'-0"

A

PANELS 2SS

Product ID : 2SS/2SSWS

Name : 2" STANDING SEAM (14")

Description : Roof Panel - Standing Seam
Mechanically Seamed w/Concealed Fastener

Metal Roofing, Siding, and Trim

P: 208-565-3002
www.ibexmetal.com
info@ibexmetal.com282 Great Northern Road
Bonners Ferry, ID 83805

PANELS 2SS

PROPERTY OF IBEX
NOT FOR REPRODUCTION WITHOUT PRIOR
WRITTEN PERMISSION OF IBEX METAL, LLC

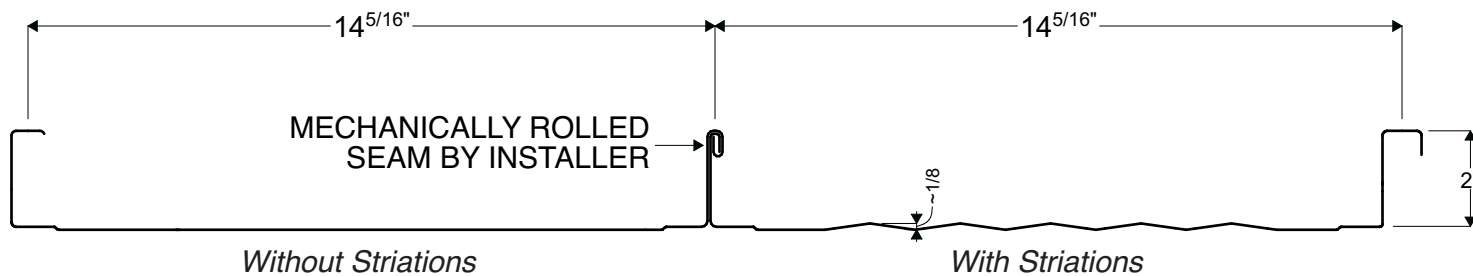
1

2

3

FRACTIONS ROUNDED TO NEAREST 1/16"

REVISED: 4/18/23



- Concealed Fastener
- No MIN or MAX length requirements
- 14 ⁵/₁₆" coverage
- 2" Seam Height

- 2:12 MIN recommended roof pitch
- 1/2:12 MIN roof pitch w/Seam Sealant
- Striations recommended to reduce oil canning
- Requires Seamer Tool
- 26ga •24ga

A1 Profile Section Detail

Scale: 3" = 1'-0"

PANELS 2SS

Product ID : 2SS/2SSWS

Name : 2" STANDING SEAM (14 5/16")

Description : Roof Panel - Standing Seam
Mechanically Seamed w/Concealed Fastener

Metal Roofing, Siding, and Trim

P: 208-565-3002
www.ibexmetal.com
info@ibexmetal.com282 Great Northern Road
Bonners Ferry, ID 83805

PANELS 2SS

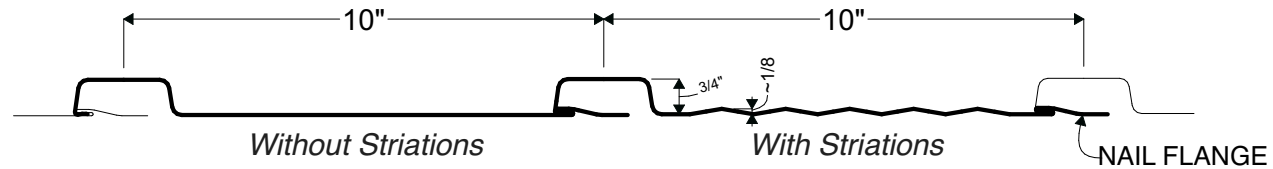
PROPERTY OF IBEX
NOT FOR REPRODUCTION WITHOUT PRIOR
WRITTEN CONSENT OF IBEX METAL, LLC

1

2

3

FRACTIONS ROUNDED TO NEAREST 1/16"
REVISED: 1/12/23



- Concealed Fastener
- 36 1/2" MIN Length
- Striations recommended to reduce oil canning
- 10" coverage
- 3/4" Rib Height

A1 Profile Section Detail
Scale: 3" = 1'-0"

A

A

PANELS BB

Product ID :	BB/BBWS
Name :	BOARD & BATTEN PANEL
Description :	Siding Panel - Concealed Fastener



Metal Roofing, Siding, and Trim
 P: 208-565-3002
 www.ibexmetal.com
 info@ibexmetal.com
 282 Great Northern Road
 Bonners Ferry, ID 83805

PANELS BB

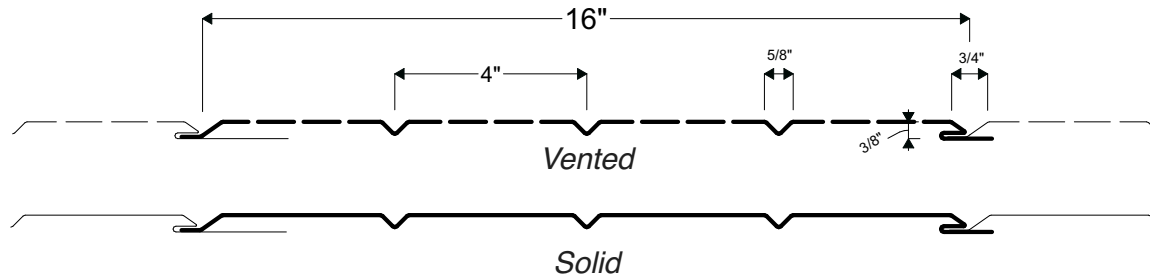
PROPERTY OF IBEX
NOT FOR REPRODUCTION WITHOUT PRIOR
WRITTEN CONSENT OF IBEX METAL, LLC

1

2

3

FRACTIONS ROUNDED TO NEAREST 1/16"
REVISED: 4/18/23



- Cut to Length
- 16" coverage
- 3/8" Height

A1 Profile Section Detail
Scale: 3" = 1'-0"

PANELS SOFFIT/SOFFITVENT

Product ID : SOFFIT/SOFFITVENT

Name : SOFFIT PANEL

Description : Soffit Panel



Metal Roofing, Siding, and Trim

P: 208-565-3002
www.ibexmetal.com
info@ibexmetal.com

282 Great Northern Road
Bonners Ferry, ID 83805

PANELS SOFFIT/SOFFITVENT
PROPERTY OF IBEX
NOT FOR REPRODUCTION WITHOUT PRIOR
WRITTEN CONSENT OF IBEX METAL, LLC

A

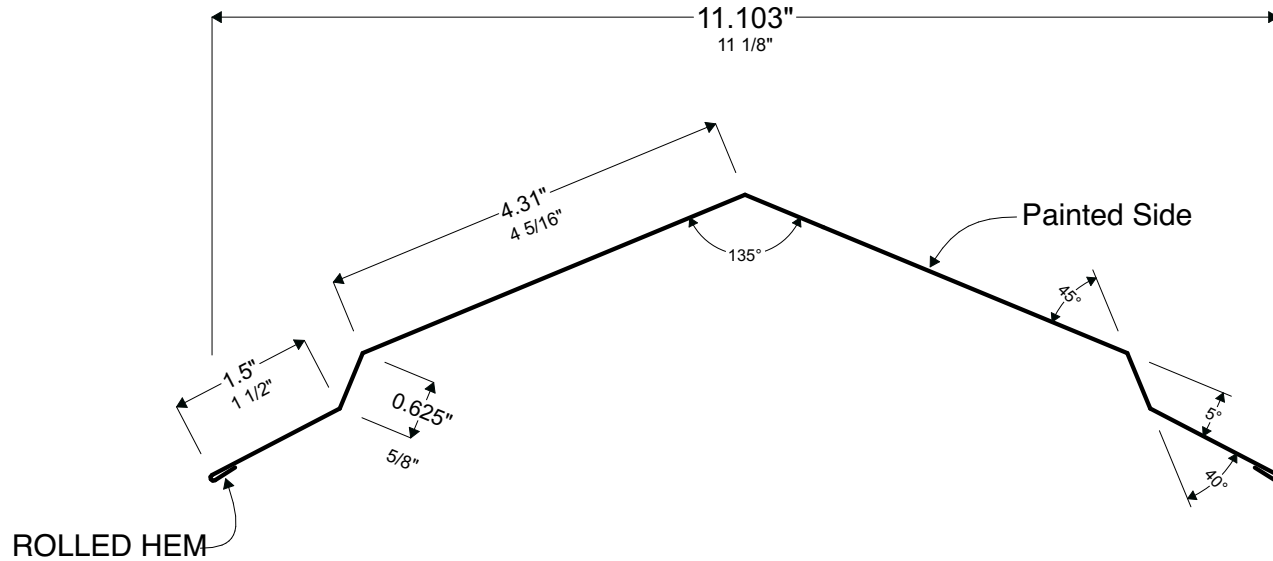
1

2

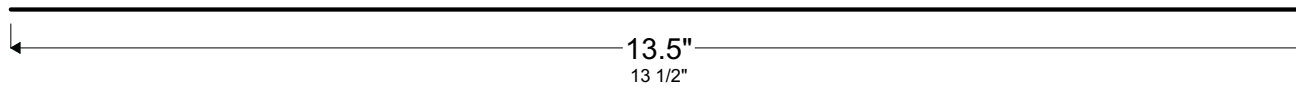
3

FRACTIONS ROUNDED TO NEAREST 1/16"
REVISED: 7/18/23

29 | 26 | 24 | 22



A1 Profile Section Detail
Scale: 6" = 1'-0"



B1 Profile Flat Width Required
Scale: 6" = 1'-0"

TRIM 01 PROPERTY OF IBEX NOT FOR REPRODUCTION WITHOUT PRIOR WRITTEN CONSENT OF IBEX METAL, LLC	TRIM 01

Product ID :	01
Name :	RIDGE CAP
Description :	Ridge Cap for Roofing (Rolled)



Metal Roofing, Siding, and Trim
 P: 208-565-3002
 www.ibexmetal.com
 info@ibexmetal.com
 282 Great Northern Road
 Bonners Ferry, ID 83805

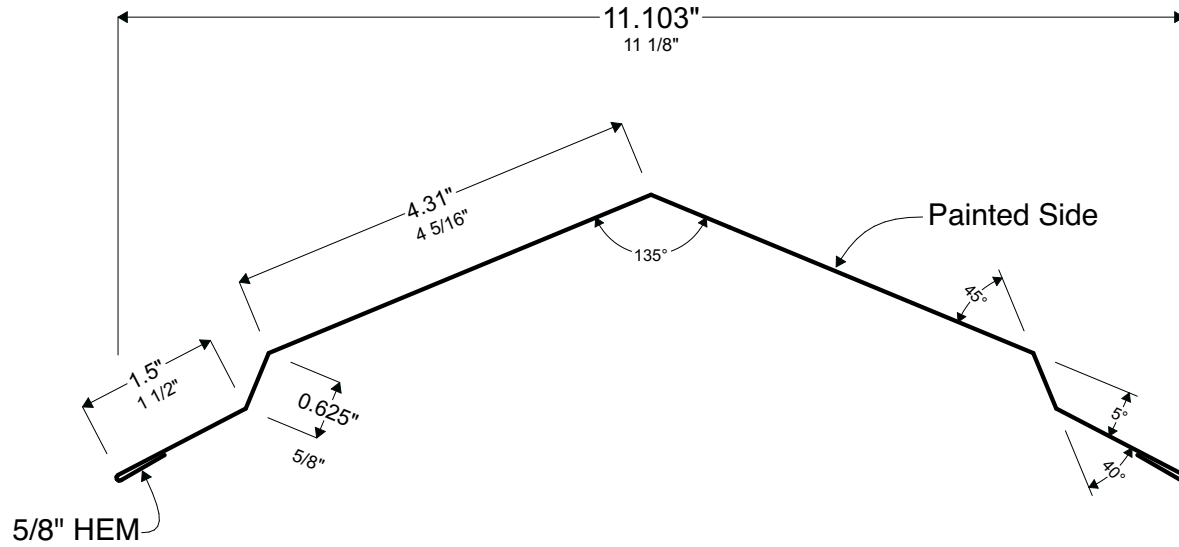
1

2

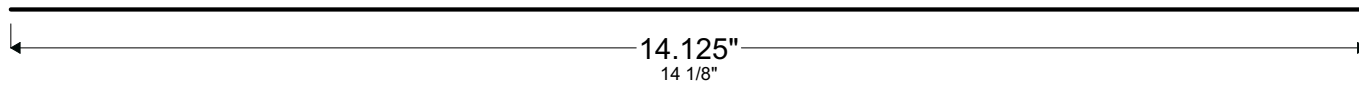
3

FRACTIONS ROUNDED TO NEAREST 1/16"
REVISED: 7/18/23

29 | 26 | 24 | 22



A1 Profile Section Detail
Scale: 6" = 1'-0"



B1 Profile Flat Width Required
Scale: 6" = 1'-0"

TRIM 01F PROPERTY OF IBEX NOT FOR REPRODUCTION WITHOUT PRIOR WRITTEN PERMISSION OF IBEX METAL, LLC	TRIM 01F

Product ID :	01F
Name :	RIDGE CAP - FOLDED
Description :	Ridge Cap for Roofing



Metal Roofing, Siding, and Trim
 P: 208-565-3002
 www.ibexmetal.com
 info@ibexmetal.com
 282 Great Northern Road
 Bonners Ferry, ID 83805

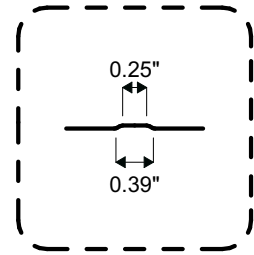
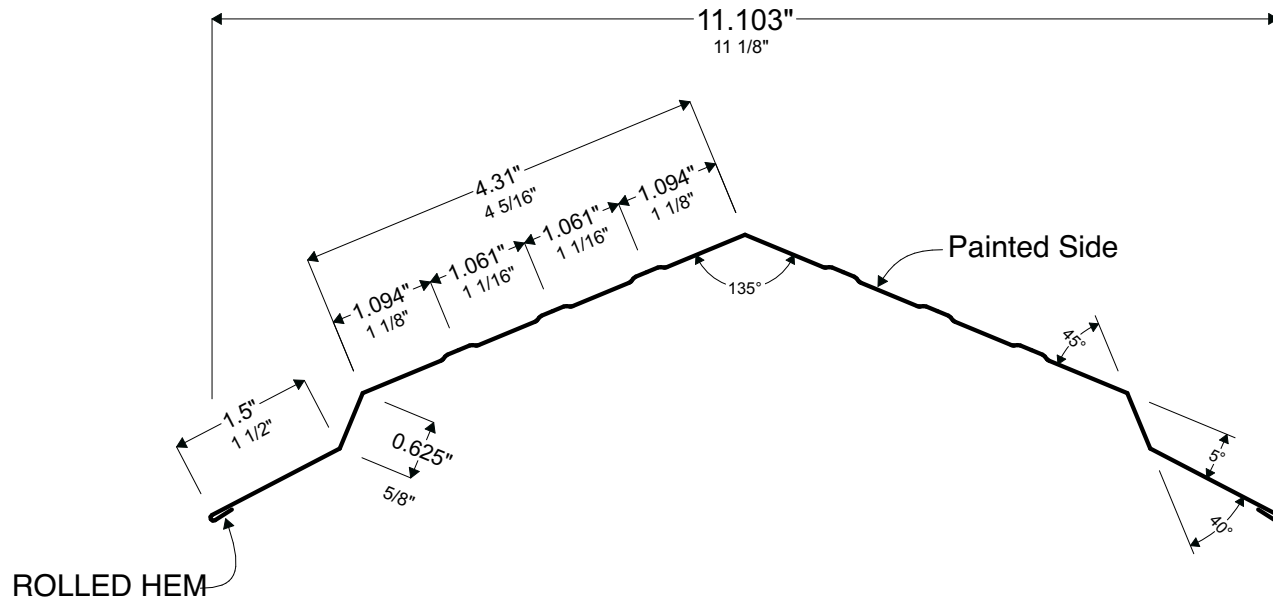
1

2

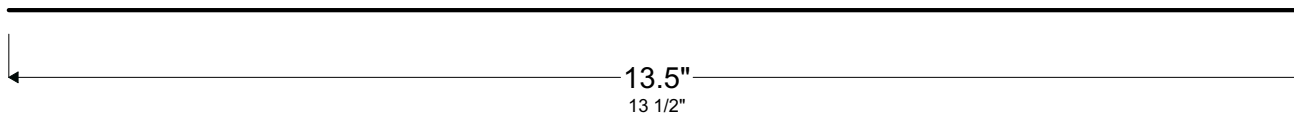
3

FRACTIONS ROUNDED TO NEAREST 1/16"
REVISED: 7/18/23

29 | 26



A1 Profile Section Detail
Scale: 6" = 1'-0"



B1 Profile Flat Width Required
Scale: 6" = 1'-0"

TRIM 01R PROPERTY OF IBEX NOT FOR REPRODUCTION WITHOUT PRIOR WRITTEN PERMISSION OF IBEX METAL, LLC	TRIM 01R

Product ID :	01R
Name :	RIDGE CAP - RIBBED
Description :	Ribbed Ridge Cap for Roofing (Rolled)



Metal Roofing, Siding, and Trim
 P: 208-565-3002
 www.ibexmetal.com
 info@ibexmetal.com
 282 Great Northern Road
 Bonners Ferry, ID 83805

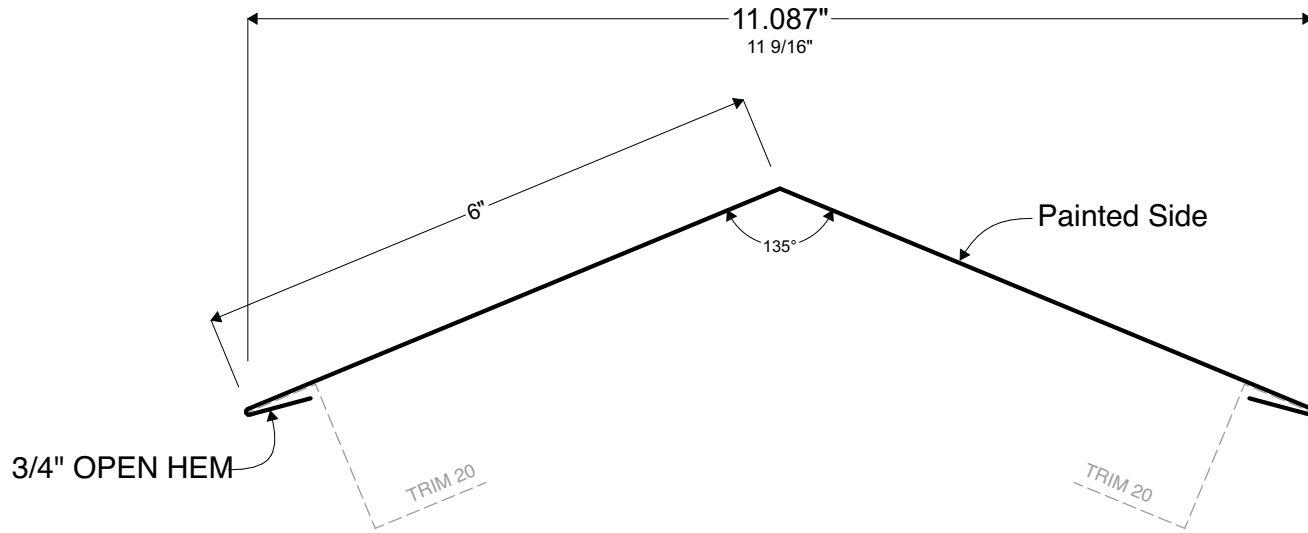
1

2

3

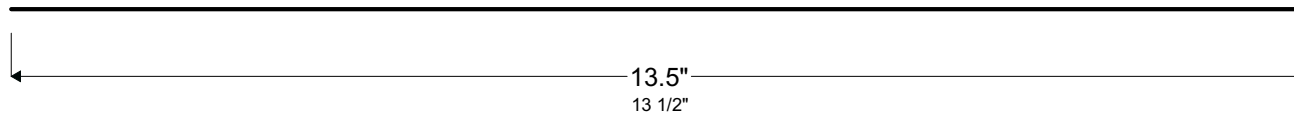
FRACTIONS ROUNDED TO NEAREST 1/16"
REVISED: 4/5/23

29 | 26 | 24 | 22



ARCHITECTURAL SERIES

A1 Profile Section Detail
Scale: 6" = 1'-0"



B1 Profile Flat Width Required
Scale: 6" = 1'-0"

TRIM 01B

PROPERTY OF IBEX
NOT FOR REPRODUCTION WITHOUT PRIOR WRITTEN CONSENT OF IBEX METAL, LLC

TRIM 01B

<i>Product ID :</i>	01B
<i>Name :</i>	RIDGE CAP - ARCHITECTURAL
<i>Description :</i>	Ridge Cap for Concealed Fastener Roofing



Metal Roofing, Siding, and Trim
 P: 208-565-3002
 www.ibexmetal.com
 info@ibexmetal.com
 282 Great Northern Road
 Bonners Ferry, ID 83805

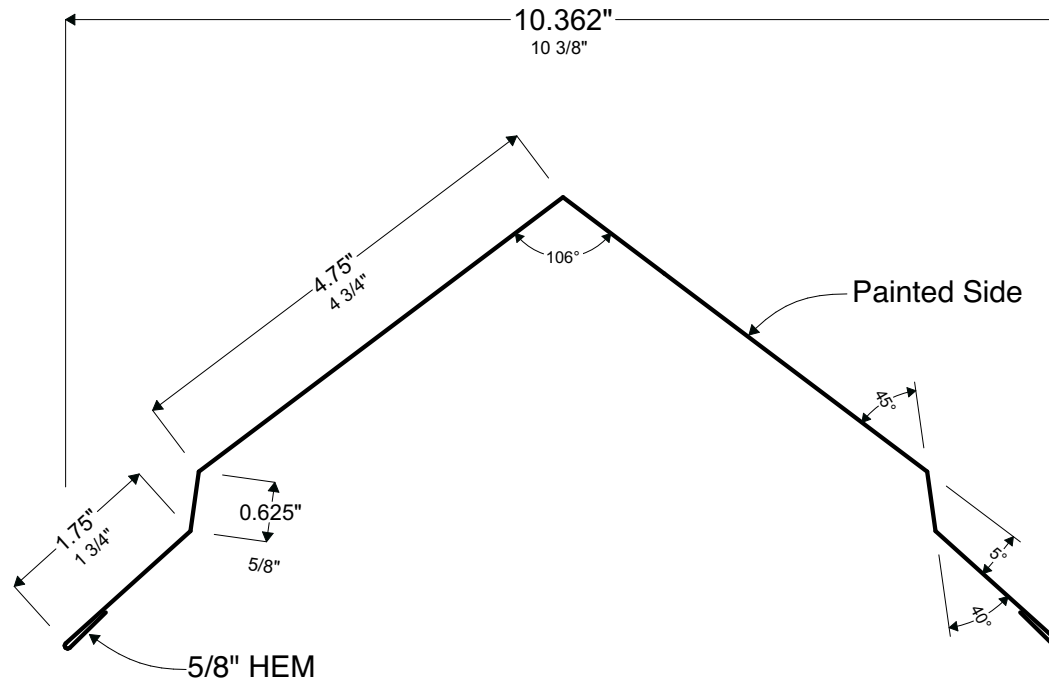
1

2

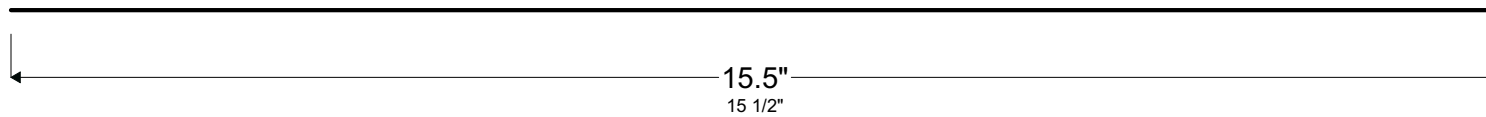
3

FRACTIONS ROUNDED TO NEAREST 1/16"
REVISED: 4/5/23

29 | 26 | 24 | 22



A1 Profile Section Detail
Scale: 6" = 1'-0"



B1 Profile Flat Width Required
Scale: 6" = 1'-0"

TRIM 01C PROPERTY OF IBEX NOT FOR REPRODUCTION WITHOUT PRIOR WRITTEN PERMISSION OF IBEX METAL, LLC	TRIM 01C

Product ID :	01C
Name :	RIDGE CAP (OVERSIZE 10/12)
Description :	Oversize Ridge Cap for Roofing



Metal Roofing, Siding, and Trim
 P: 208-565-3002
 www.ibexmetal.com
 info@ibexmetal.com
 282 Great Northern Road
 Bonners Ferry, ID 83805

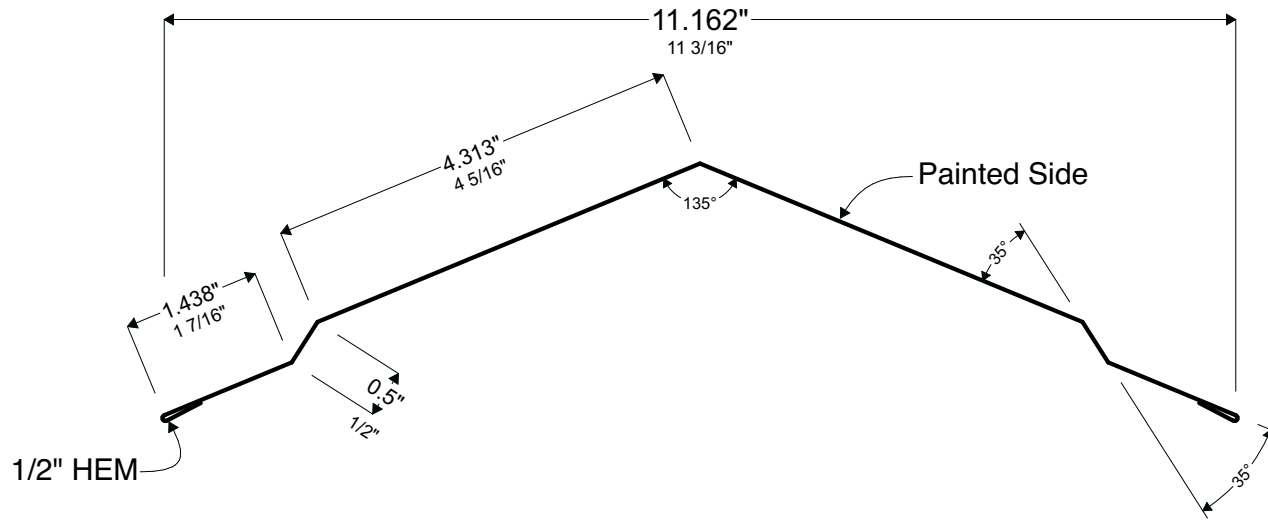
1

2

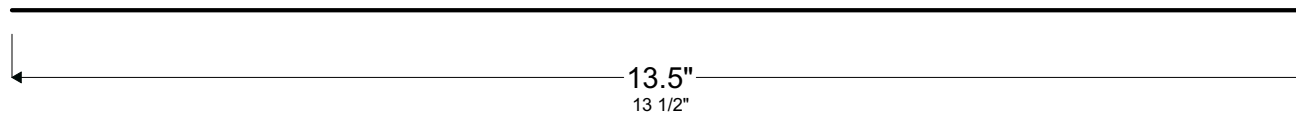
3

FRACTIONS ROUNDED TO NEAREST 1/16"
REVISED: 4/5/23

29 | 26 | 24 | 22



A1 Profile Section Detail
Scale: 6" = 1'-0"



B1 Profile Flat Width Required
Scale: 6" = 1'-0"

TRIM 01H

PROPERTY OF IBEX
NOT FOR REPRODUCTION WITHOUT PRIOR
WRITTEN PERMISSION OF IBEX METAL, LLC

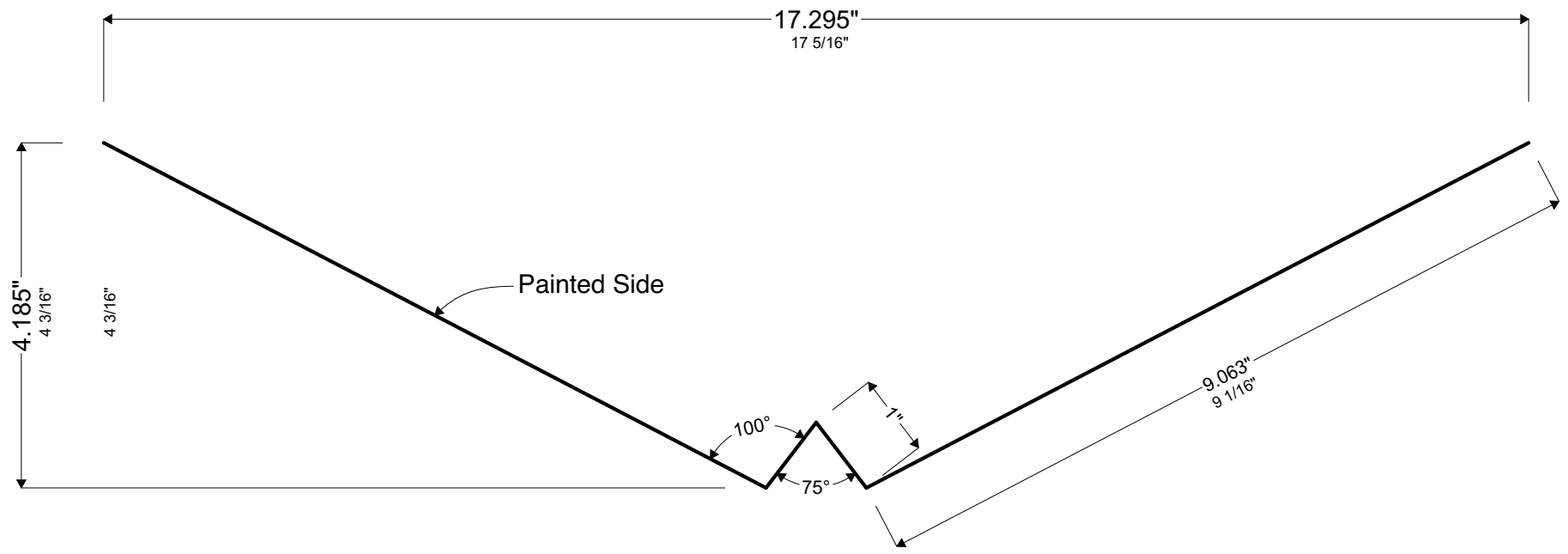
Product ID :	01H
Name :	RIDGE CAP - HERITAGE
Description :	Ridge Cap for Roofing (Heritage)



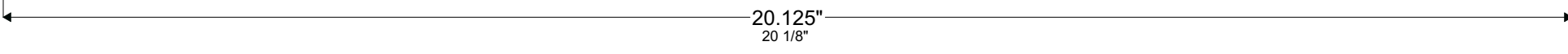
Metal Roofing, Siding, and Trim
 P: 208-565-3002
 www.ibexmetal.com
 info@ibexmetal.com
 282 Great Northern Road
 Bonners Ferry, ID 83805

FRACTIONS ROUNDED TO NEAREST 1/16"
 REVISED: 4/5/23

29 | 26 | 24 | 22



A **A1** Profile Section Detail
 Scale: 6" = 1'-0"



B **B1** Profile Flat Width Required
 Scale: 6" = 1'-0"

TRIM 02
 PROPERTY OF IBEX
 NOT FOR REPRODUCTION WITHOUT PRIOR
 WRITTEN CONSENT OF IBEX METAL, LLC

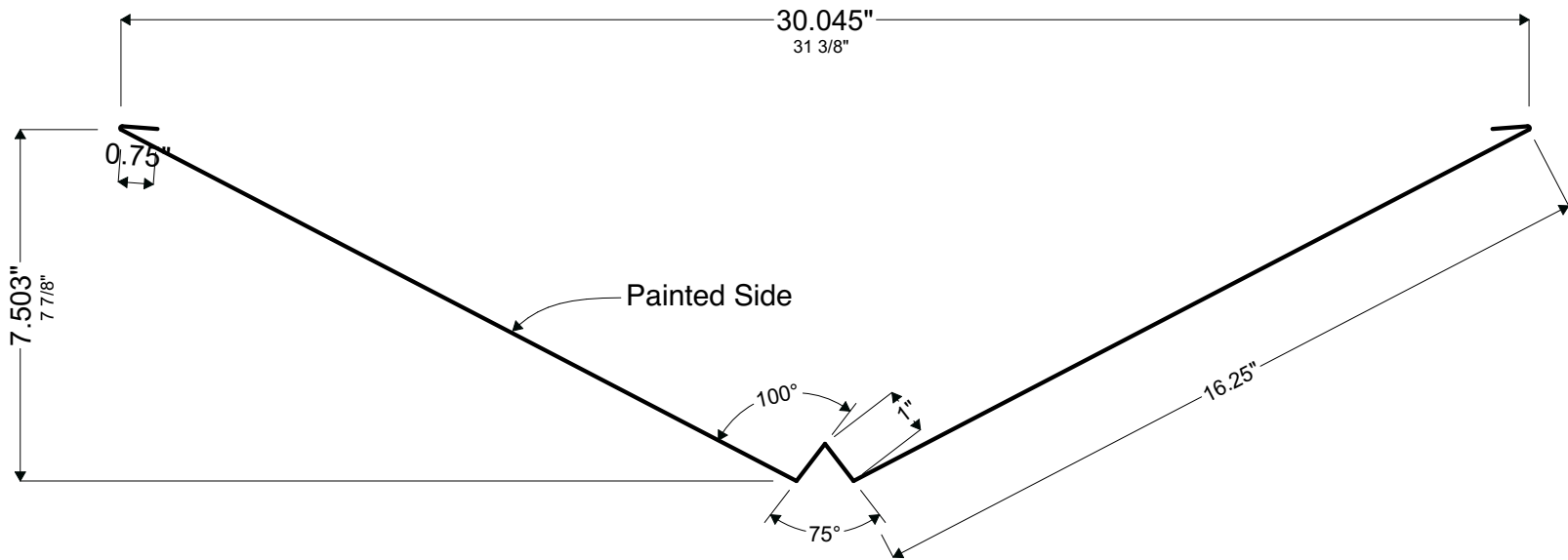
Product ID :	02
Name :	VALLEY
Description :	Valley Flashing



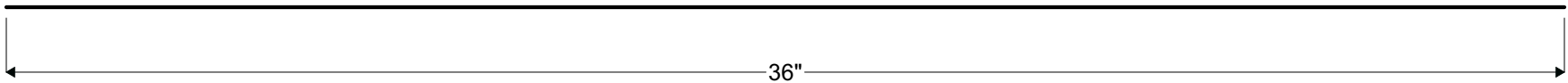
Metal Roofing, Siding, and Trim
 P: 208-565-3002
 www.ibexmetal.com
 info@ibexmetal.com
 282 Great Northern Road
 Bonners Ferry, ID 83805

FRACTIONS ROUNDED TO NEAREST 1/16"
 REVISED: 4/5/23

29 | 26*



A **A1** Profile Section Detail
 Scale: 3" = 1'-0"



B **B1** Profile Flat Width Required
 Scale: 3" = 1'-0"

TRIM 02B

PROPERTY OF IBEX
 NOT FOR REPRODUCTION WITHOUT PRIOR
 WRITTEN CONSENT OF IBEX METAL, LLC

TRIM 02B

Product ID :	02B
Name :	JUMBO VALLEY
Description :	Extra Wide Valley Flashing



IBEX

IDAHO'S BEST EXTERIORS

Metal Roofing, Siding, and Trim

P: 208-565-3002
 www.ibexmetal.com
 info@ibexmetal.com

282 Great Northern Road
 Bonners Ferry, ID 83805

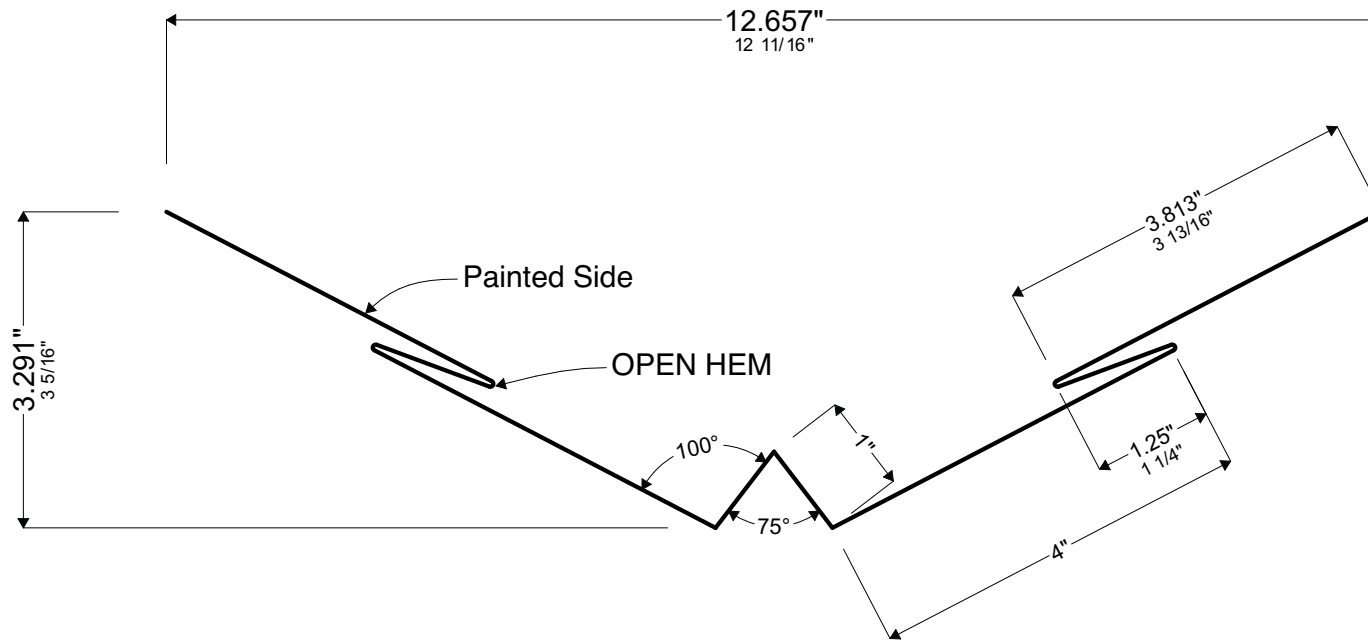
1

2

3

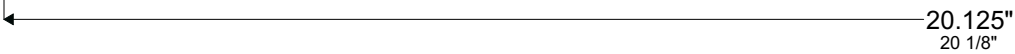
FRACTIONS ROUNDED TO NEAREST 1/16"
REVISED: 12/12/23

29 | 26 | 24



ARCHITECTURAL SERIES

A1 Profile Section Detail
Scale: 6" = 1'-0"



B1 Profile Flat Width Required
Scale: 6" = 1'-0"

TRIM 02C

Product ID :	02C
Name :	CLEATED VALLEY
Description :	Valley Flashing for Concealed Fastener



Metal Roofing, Siding, and Trim

P: 208-565-3002
www.ibexmetal.com
info@ibexmetal.com

282 Great Northern Road
Bonners Ferry, ID 83805

TRIM 02C

PROPERTY OF IBEX
NOT FOR REPRODUCTION WITHOUT PRIOR
WRITTEN PERMISSION OF IBEX METAL, LLC

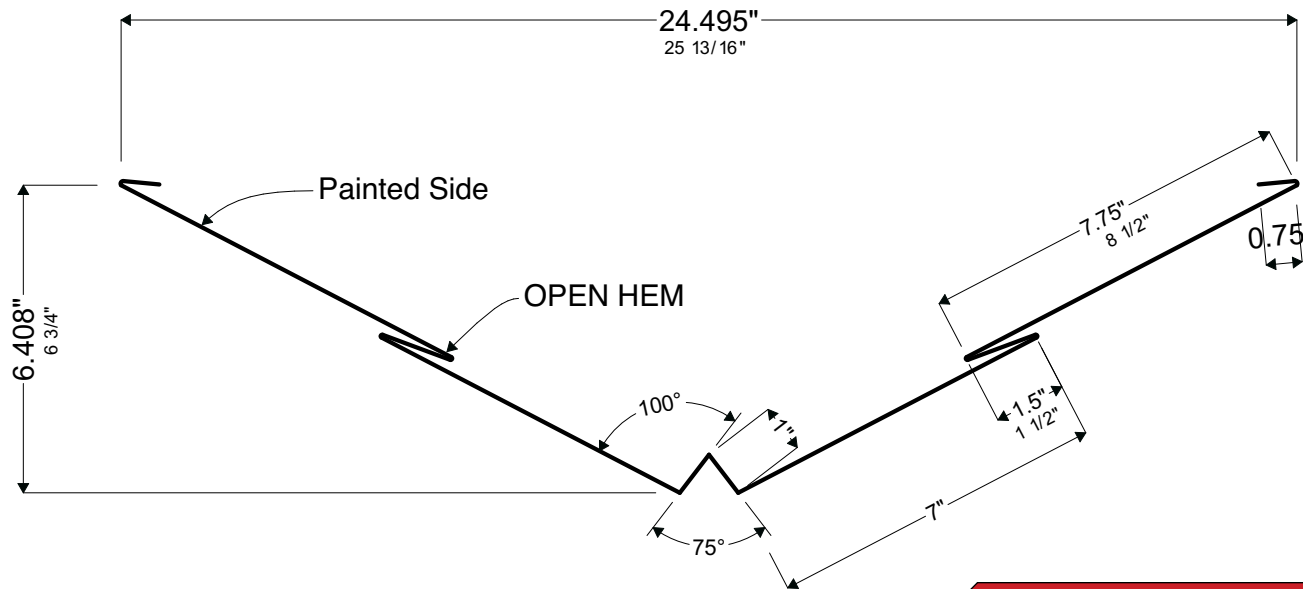
1

2

3

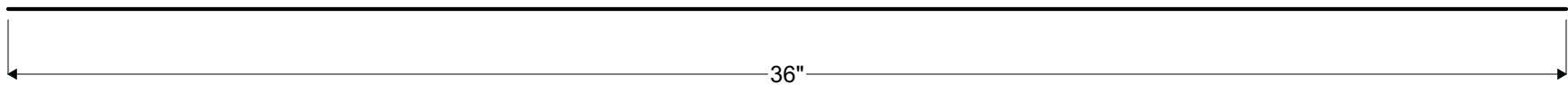
FRACTIONS ROUNDED TO NEAREST 1/16"
REVISED: 12/12/23

29 | 26*



ARCHITECTURAL SERIES

A1 Profile Section Detail
Scale: 3" = 1'-0"



B1 Profile Flat Width Required
Scale: 3" = 1'-0"

TRIM 02D

PROPERTY OF IBEX
NOT FOR REPRODUCTION WITHOUT PRIOR
WRITTEN CONSENT OF IBEX METAL, LLC

TRIM 02D

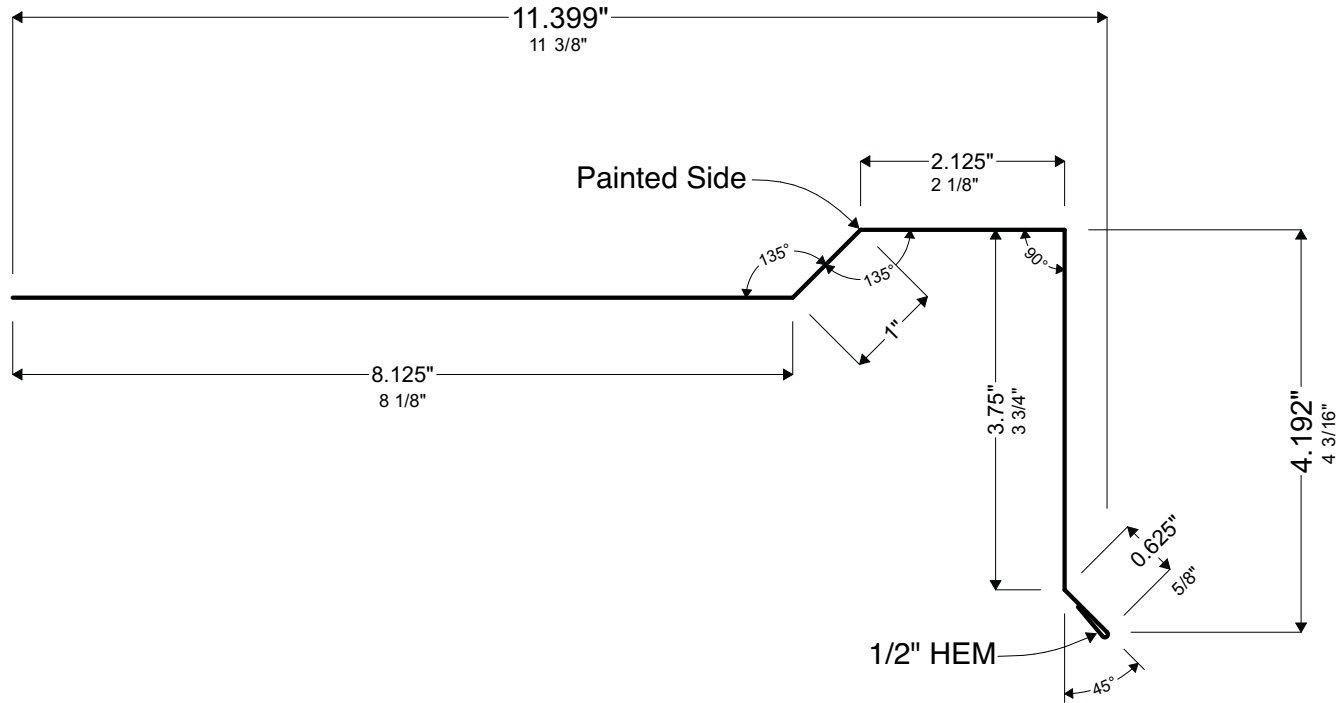
Product ID :	02D
Name :	JUMBO CLEATED VALLEY
Description :	Extra Wide Valley for Concealed Fastener



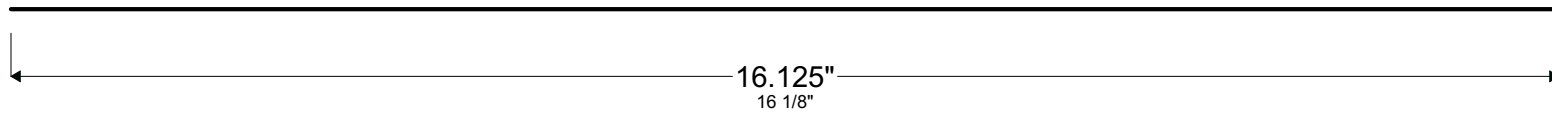
Metal Roofing, Siding, and Trim
 P: 208-565-3002
 www.ibexmetal.com
 info@ibexmetal.com
 282 Great Northern Road
 Bonners Ferry, ID 83805

FRACTIONS ROUNDED TO NEAREST 1/16"
 REVISED: 4/5/23

29 | 26 | 24 | 22



A1 Profile Section Detail
 Scale: 6" = 1'-0"



B1 Profile Flat Width Required
 Scale: 6" = 1'-0"

TRIM 03
PROPERTY OF IBEX
 NOT FOR REPRODUCTION WITHOUT PRIOR
 WRITTEN CONSENT OF IBEX METAL, LLC

<i>Product ID :</i>	03
<i>Name :</i>	PROW FLASHING
<i>Description :</i>	Trim/Flashing for Angled (Prow) Gable



Metal Roofing, Siding, and Trim
 P: 208-565-3002
 www.ibexmetal.com
 info@ibexmetal.com
 282 Great Northern Road
 Bonners Ferry, ID 83805

FRACTIONS ROUNDED TO NEAREST 1/16"
 REVISED: 12/12/23

29 | 26 | 24 | 22

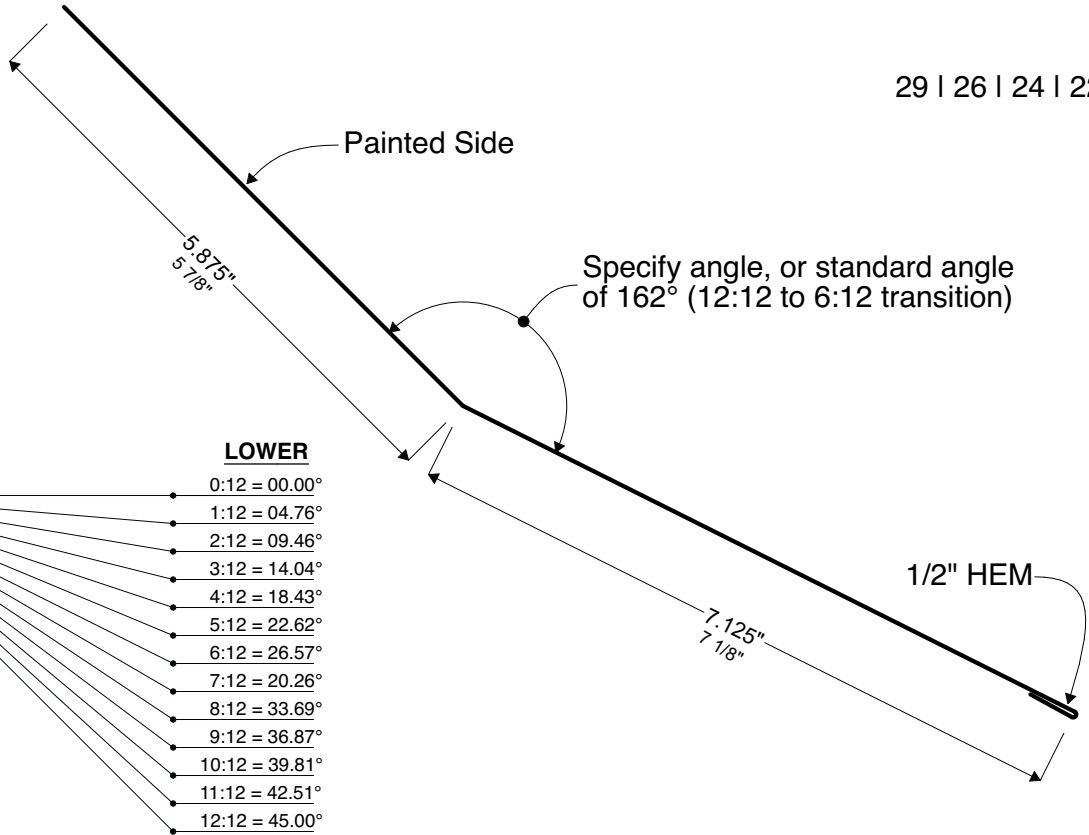
UPPER

- 12:12 = 135.00°
- 11:12 = 137.49°
- 10:12 = 140.19°
- 9:12 = 143.13°
- 8:12 = 146.31°
- 7:12 = 159.74°
- 6:12 = 153.43°
- 5:12 = 157.38°
- 4:12 = 161.57°
- 3:12 = 165.96°
- 2:12 = 170.54°
- 1:12 = 175.24°
- 0:12 = 180.00°

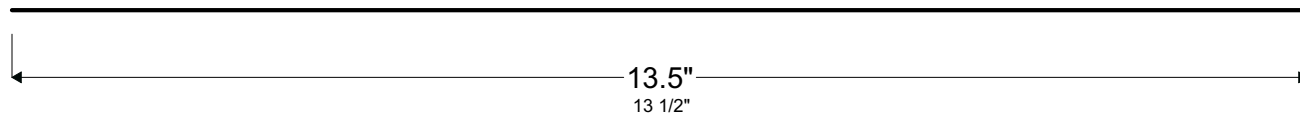
LOWER

- 0:12 = 00.00°
- 1:12 = 04.76°
- 2:12 = 09.46°
- 3:12 = 14.04°
- 4:12 = 18.43°
- 5:12 = 22.62°
- 6:12 = 26.57°
- 7:12 = 20.26°
- 8:12 = 33.69°
- 9:12 = 36.87°
- 10:12 = 39.81°
- 11:12 = 42.51°
- 12:12 = 45.00°

PITCH BREAK FLASHING ANGLES:
 UPPER ANGLE° + LOWER ANGLE° = PITCH BREAK ANGLE°



A1 Profile Section Detail
 Scale: 6" = 1'-0"



B1 Profile Flat Width Required
 Scale: 6" = 1'-0"

TRIM 04	PROPERTY OF IBEX NOT FOR REPRODUCTION WITHOUT PRIOR WRITTEN CONSENT OF IBEX METAL, LLC
----------------	--

Product ID :	04
Name :	PITCH BREAK (TRANSITION)
Description :	Pitch Break Transition



Metal Roofing, Siding, and Trim
 P: 208-565-3002
 www.ibexmetal.com
 info@ibexmetal.com
 282 Great Northern Road
 Bonners Ferry, ID 83805

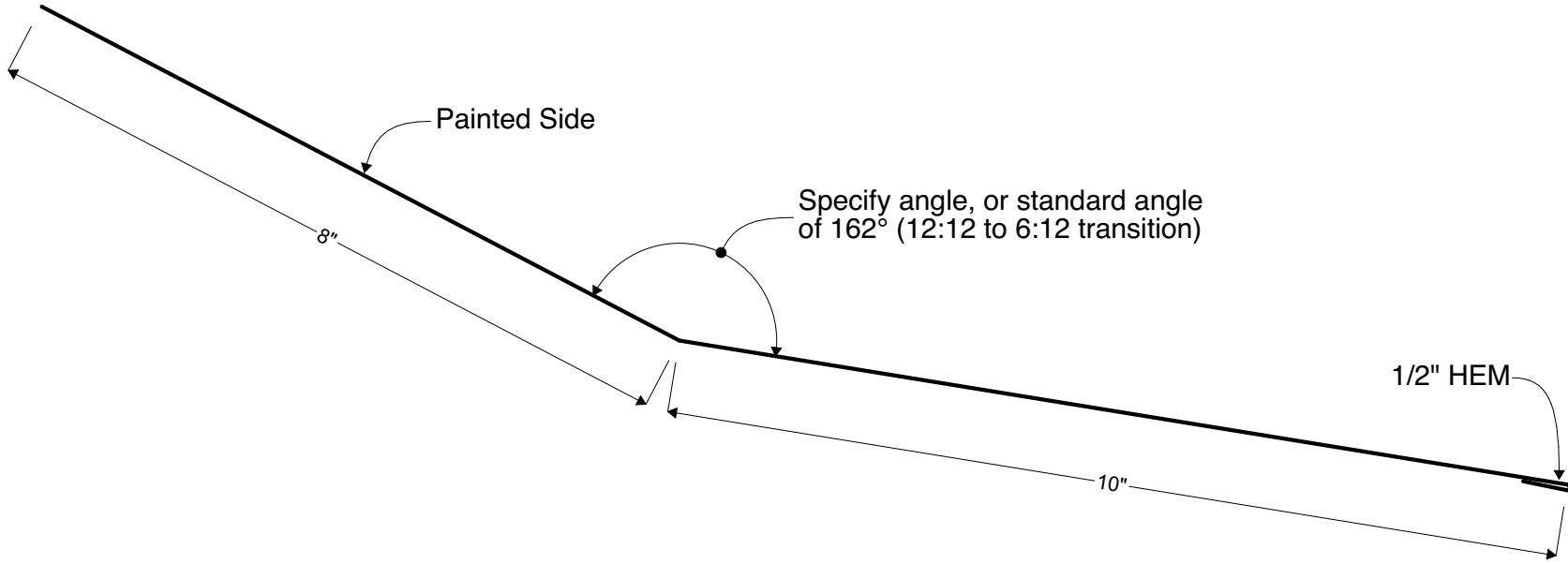
1

2

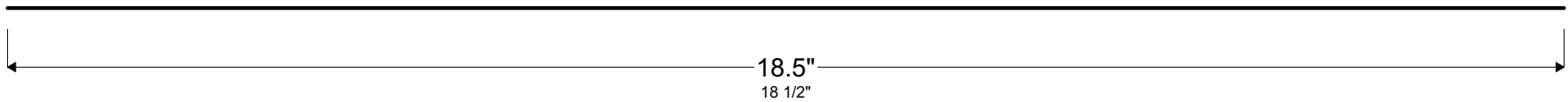
3

FRACTIONS ROUNDED TO NEAREST 1/16"
REVISED: 12/12/23

29 | 26 | 24 | 22



A1 Profile Section Detail
Scale: 6" = 1'-0"



B1 Profile Flat Width Required
Scale: 6" = 1'-0"

TRIM 04B

PROPERTY OF IBEX
NOT FOR REPRODUCTION WITHOUT PRIOR WRITTEN PERMISSION OF IBEX METAL, LLC

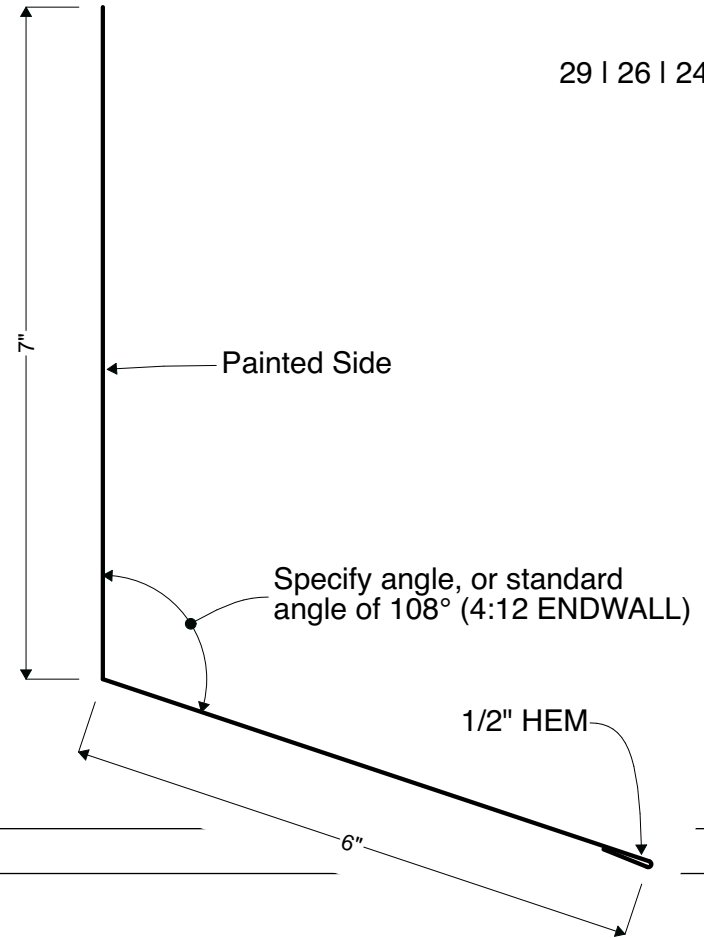
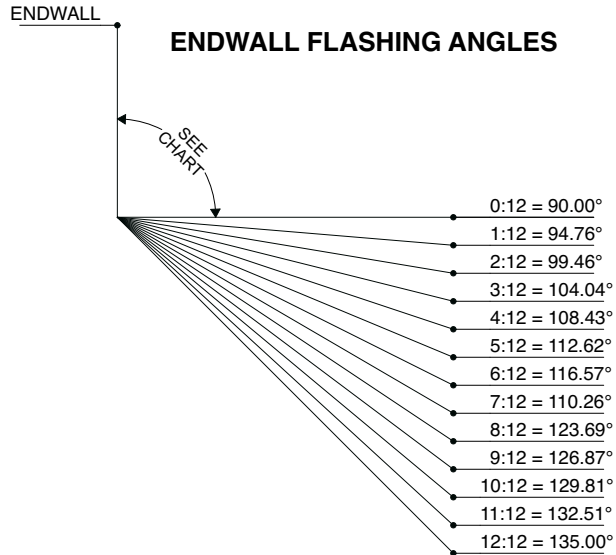
TRIM 04B

Product ID :	04B
Name :	JUMBO PITCH BREAK (TRANSITION)
Description :	Jumbo Pitch Break



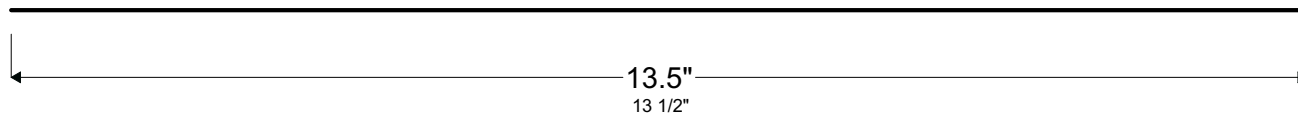
Metal Roofing, Siding, and Trim
 P: 208-565-3002
 www.ibexmetal.com
 info@ibexmetal.com
 282 Great Northern Road
 Bonners Ferry, ID 83805

FRACTIONS ROUNDED TO NEAREST 1/16"
 REVISED: 12/12/23



29 | 26 | 24 | 22

A1 Profile Section Detail
 Scale: 6" = 1'-0"



B1 Profile Flat Width Required
 Scale: 6" = 1'-0"

TRIM 04C

PROPERTY OF IBEX
 NOT FOR REPRODUCTION WITHOUT PRIOR
 WRITTEN PERMISSION OF IBEX METAL, LLC

TRIM 04C

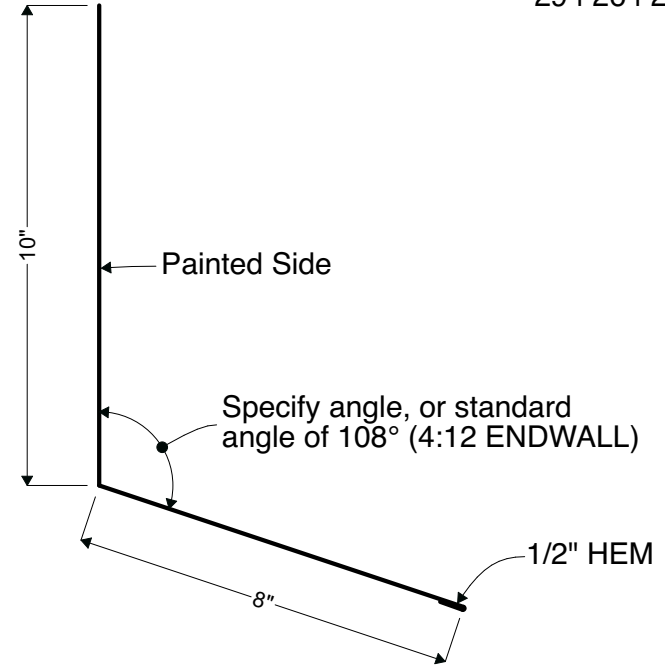
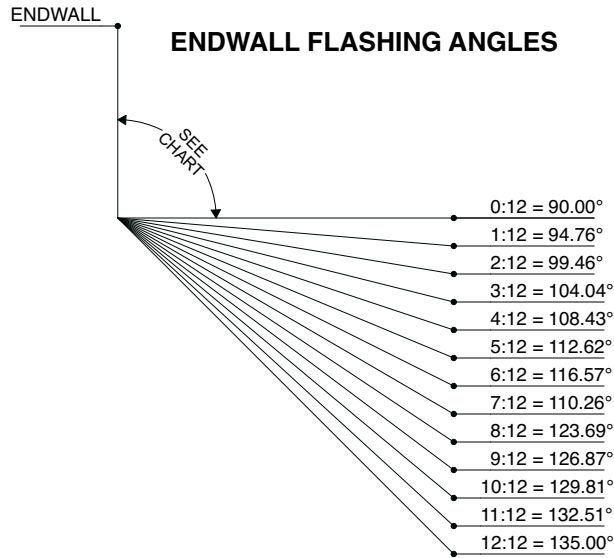
Product ID :	04C
Name :	ENDWALL
Description :	Endwall flashing



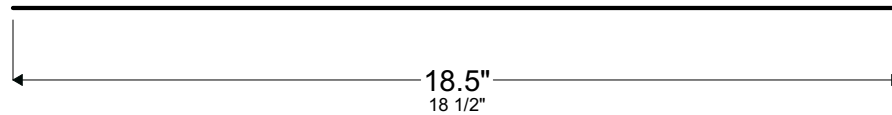
Metal Roofing, Siding, and Trim
 P: 208-565-3002
 www.ibexmetal.com
 info@ibexmetal.com
 282 Great Northern Road
 Bonners Ferry, ID 83805

FRACTIONS ROUNDED TO NEAREST 1/16"
 REVISED: 12/12/23

29 | 26 | 24 | 22



A **A1** Profile Section Detail
 Scale: 3" = 1'-0"



B **B1** Profile Flat Width Required
 Scale: 3" = 1'-0"

TRIM 04D
PROPERTY OF IBEX
 NOT FOR REPRODUCTION WITHOUT PRIOR WRITTEN PERMISSION OF IBEX METAL, LLC
TRIM 04D

Product ID :	04D
Name :	JUMBO ENDWALL
Description :	Jumbo Endwall Flashing



Metal Roofing, Siding, and Trim
 P: 208-565-3002
 www.ibexmetal.com
 info@ibexmetal.com
 282 Great Northern Road
 Bonners Ferry, ID 83805

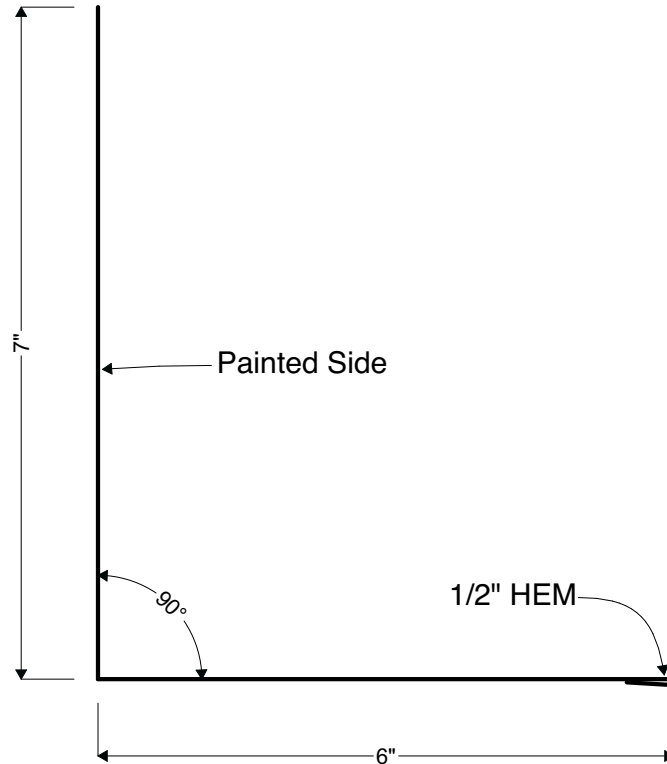
1

2

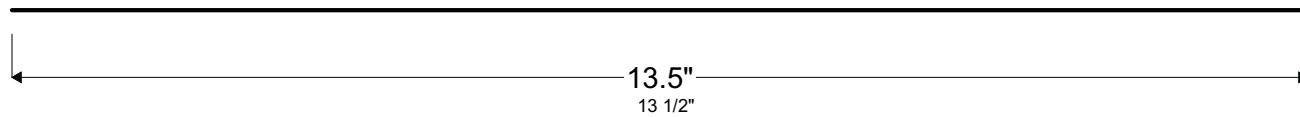
3

FRACTIONS ROUNDED TO NEAREST 1/16"
REVISED: 12/12/23

29 | 26 | 24 | 22



A1 Profile Section Detail
Scale: 6" = 1'-0"



B1 Profile Flat Width Required
Scale: 6" = 1'-0"

TRIM 04E PROPERTY OF IBEX NOT FOR REPRODUCTION WITHOUT PRIOR WRITTEN CONSENT OF IBEX METAL, LLC	TRIM 04E

Product ID :	04E
Name :	SIDEWALL
Description :	Sidewall flashing



Metal Roofing, Siding, and Trim
 P: 208-565-3002
 www.ibexmetal.com
 info@ibexmetal.com
 282 Great Northern Road
 Bonners Ferry, ID 83805

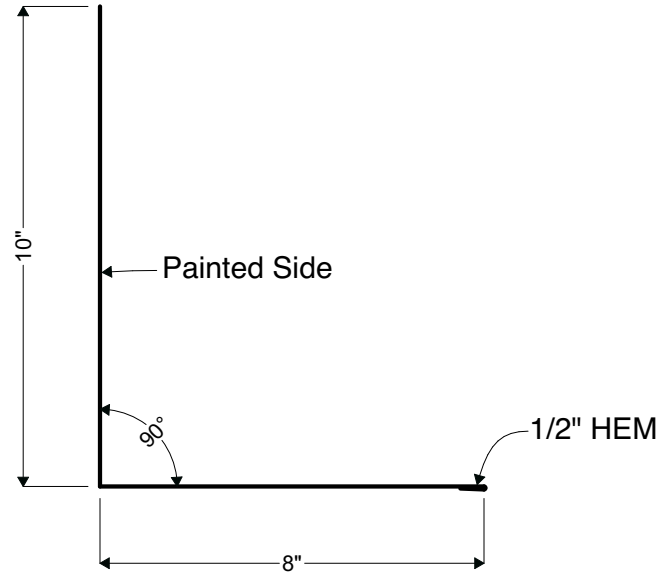
1

2

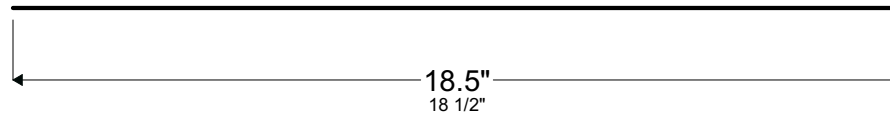
3

FRACTIONS ROUNDED TO NEAREST 1/16"
REVISED: 12/12/23

29 | 26 | 24 | 22



A1 Profile Section Detail
Scale: 3" = 1'-0"



B1 Profile Flat Width Required
Scale: 3" = 1'-0"

TRIM 04F

PROPERTY OF IBEX
NOT FOR REPRODUCTION WITHOUT PRIOR
WRITTEN CONSENT OF IBEX METAL, LLC

TRIM 04F

Product ID :	04F
Name :	JUMBO SIDEWALL
Description :	Jumbo Sidewall Flashing



Metal Roofing, Siding, and Trim
 P: 208-565-3002
 www.ibexmetal.com
 info@ibexmetal.com
 282 Great Northern Road
 Bonners Ferry, ID 83805

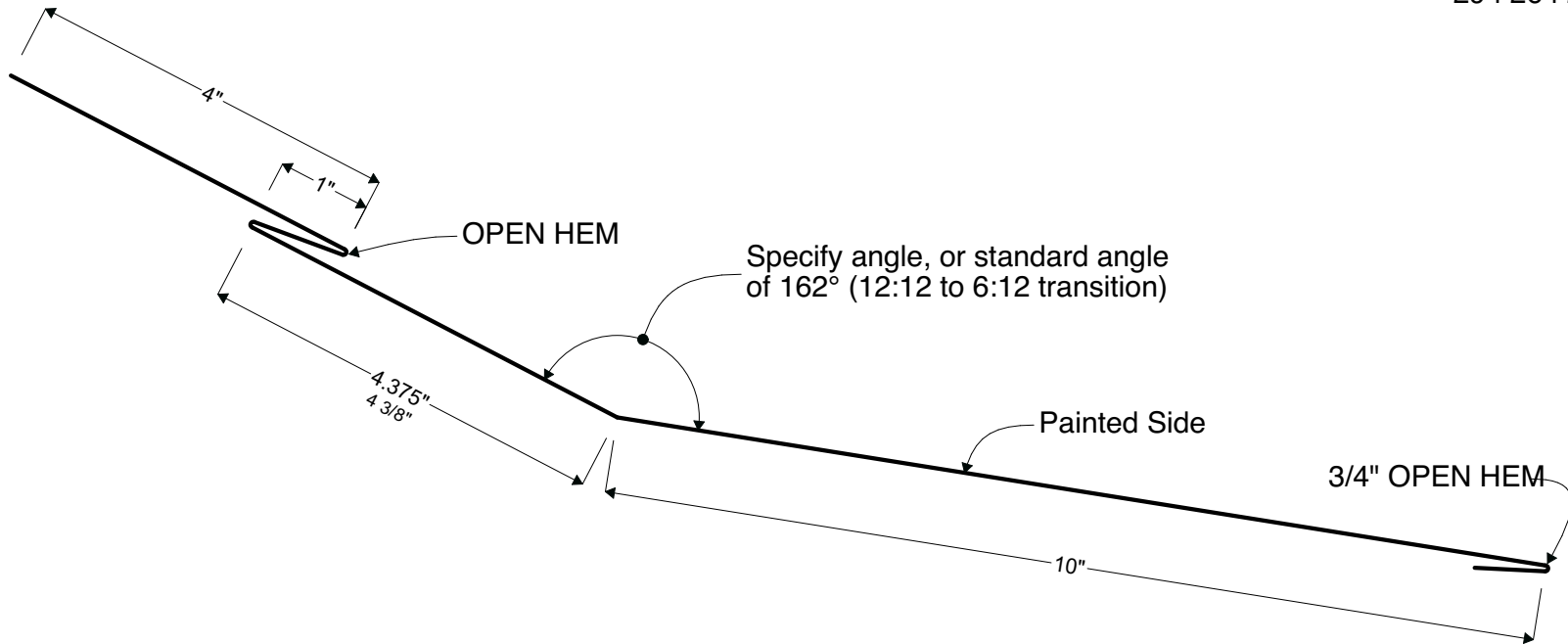
1

2

3

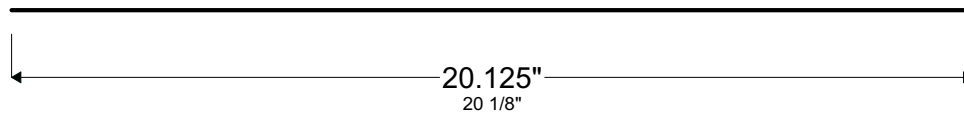
FRACTIONS ROUNDED TO NEAREST 1/16"
REVISED: 4/5/23

29 | 26 | 24



ARCHITECTURAL SERIES

A1 Profile Section Detail
Scale: 6" = 1'-0"



B1 Profile Flat Width Required
Scale: 3" = 1'-0"

TRIM 04G PROPERTY OF IBEX NOT FOR REPRODUCTION WITHOUT PRIOR WRITTEN PERMISSION OF IBEX METAL, LLC	TRIM 04G

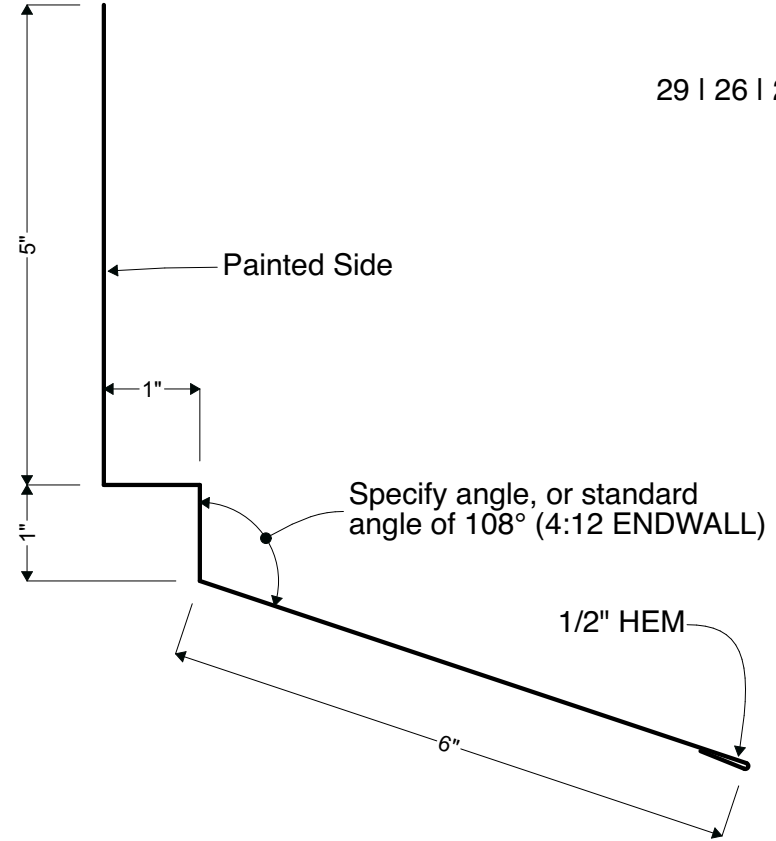
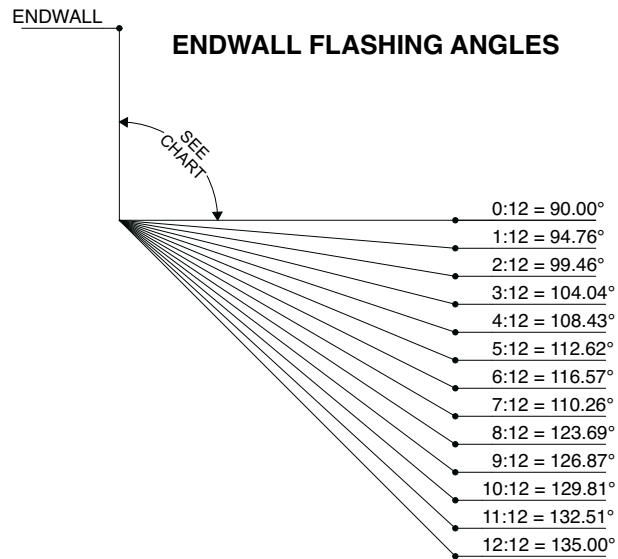
Product ID :	04G
Name :	CLEATED PITCH BREAK
Description :	Pitch Break Transition for Concealed Fastener



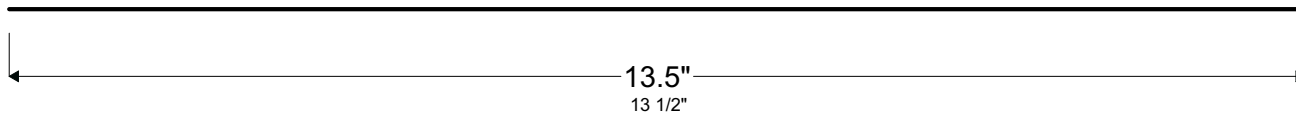
Metal Roofing, Siding, and Trim
 P: 208-565-3002
 www.ibexmetal.com
 info@ibexmetal.com
 282 Great Northern Road
 Bonners Ferry, ID 83805

FRACTIONS ROUNDED TO NEAREST 1/16"
 REVISED: 12/12/23

29 | 26 | 24 | 22



A1 Profile Section Detail
 Scale: 6" = 1'-0"



B1 Profile Flat Width Required
 Scale: 6" = 1'-0"

TRIM 041 PROPERTY OF IBEX NOT FOR REPRODUCTION WITHOUT PRIOR WRITTEN PERMISSION OF IBEX METAL, LLC	TRIM 041

Product ID :	041
Name :	STEPPED ENDWALL
Description :	Endwall flashing w/step



Metal Roofing, Siding, and Trim
 P: 208-565-3002
 www.ibexmetal.com
 info@ibexmetal.com
 282 Great Northern Road
 Bonners Ferry, ID 83805

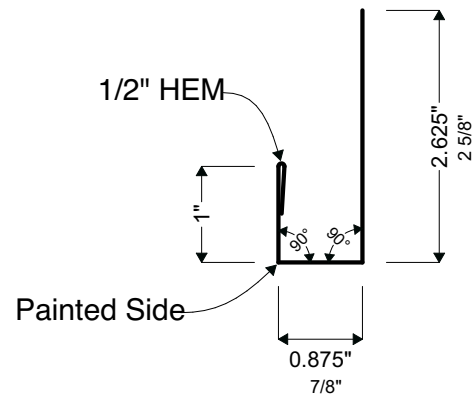
1

2

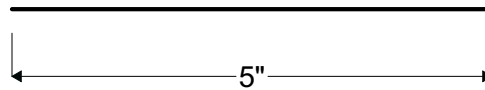
3

FRACTIONS ROUNDED TO NEAREST 1/16"
REVISED: 12/12/23

29 | 26 | 24 | 22



A **A1** Profile Section Detail
Scale: 6" = 1'-0"



B **B1** Profile Flat Width Required
Scale: 6" = 1'-0"

TRIM 05 PROPERTY OF IBEX NOT FOR REPRODUCTION WITHOUT PRIOR WRITTEN CONSENT OF IBEX METAL, LLC	TRIM 05
---	----------------

<i>Product ID :</i>	05
<i>Name :</i>	J-CHANNEL
<i>Description :</i>	J-Channel Trim



Metal Roofing, Siding, and Trim
 P: 208-565-3002
 www.ibexmetal.com
 info@ibexmetal.com
 282 Great Northern Road
 Bonners Ferry, ID 83805

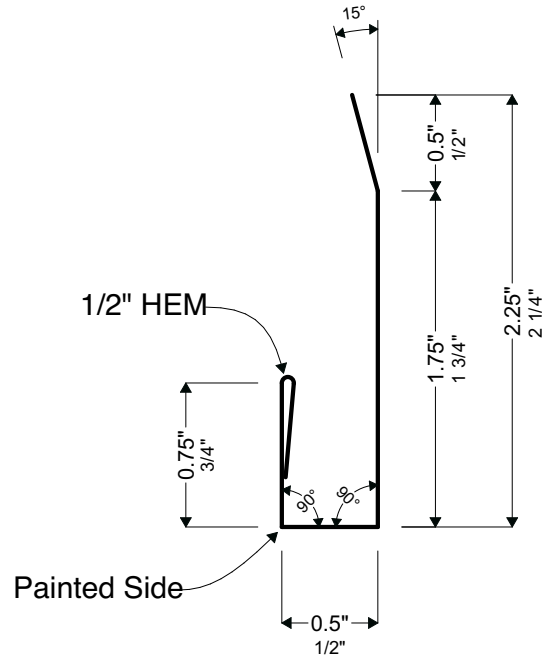
1

2

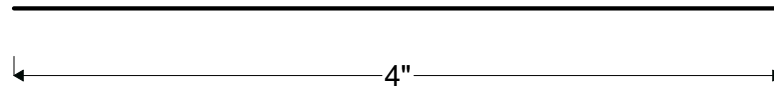
3

FRACTIONS ROUNDED TO NEAREST 1/16"
REVISED: 12/12/23

29 | 26 | 24



A1 Profile Section Detail
Scale: 1' = 1'-0"



B1 Profile Flat Width Required
Scale: 1' = 1'-0"

TRIM 05B

PROPERTY OF IBEX
NOT FOR REPRODUCTION WITHOUT PRIOR
WRITTEN PERMISSION OF IBEX METAL, LLC

TRIM 05B

Product ID :	05B
Name :	MINI J-CHANNEL
Description :	Small J-Channel - Typically used with Soffit

IBEX

IDAHO'S BEST EXTERIORS

Metal Roofing, Siding, and Trim
P: 208-565-3002
www.ibexmetal.com
info@ibexmetal.com
282 Great Northern Road
Bonners Ferry, ID 83805

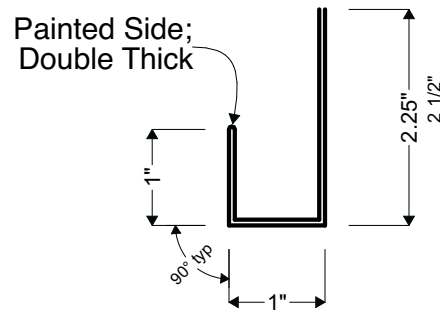
1

2

3

FRACTIONS ROUNDED TO NEAREST 1/16"
REVISED: 12/12/23

29 | 26



ARCHITECTURAL SERIES

A1 Profile Section Detail
Scale: 6" = 1'-0"



B1 Profile Flat Width Required
Scale: 6" = 1'-0"

TRIM 05C PROPERTY OF IBEX NOT FOR REPRODUCTION WITHOUT PRIOR WRITTEN PERMISSION OF IBEX METAL, LLC	TRIM 05C

<i>Product ID :</i>	05C
<i>Name :</i>	FULL WRAP J-CHANNEL
<i>Description :</i>	2-Sided J-Channel



Metal Roofing, Siding, and Trim
 P: 208-565-3002
 www.ibexmetal.com
 info@ibexmetal.com
 282 Great Northern Road
 Bonners Ferry, ID 83805

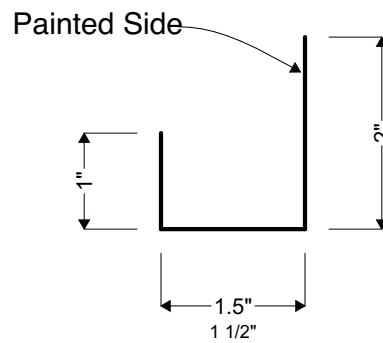
1

2

3

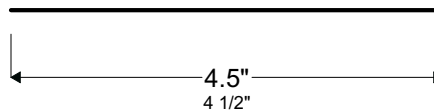
FRACTIONS ROUNDED TO NEAREST 1/16"
REVISED: 4/5/23

29 | 26 | 24 | 22



ARCHITECTURAL SERIES

A **A1** Profile Section Detail
Scale: 6" = 1'-0"



B **B1** Profile Flat Width Required
Scale: 6" = 1'-0"

TRIM 05D

Product ID : 05D

Name : **REVERSE OVERSIZE J-CHANNEL**

Description : Large J-Channel with Color Inside



Metal Roofing, Siding, and Trim

P: 208-565-3002
www.ibexmetal.com
info@ibexmetal.com

282 Great Northern Road
Bonners Ferry, ID 83805

TRIM 05D

PROPERTY OF IBEX
NOT FOR REPRODUCTION WITHOUT PRIOR
WRITTEN CONSENT OF IBEX METAL, LLC

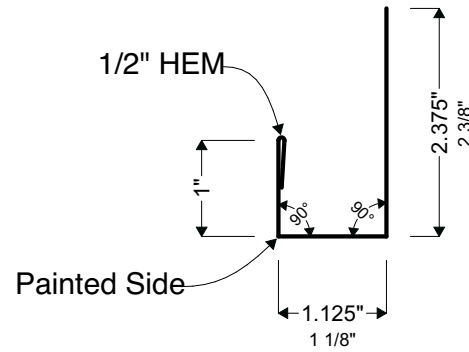
1

2

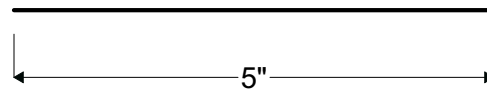
3

FRACTIONS ROUNDED TO NEAREST 1/16"
REVISED: 12/12/23

29 | 26 | 24 | 22



A1 Profile Section Detail
Scale: 6" = 1'-0"



B1 Profile Flat Width Required
Scale: 6" = 1'-0"

TRIM 05E PROPERTY OF IBEX NOT FOR REPRODUCTION WITHOUT PRIOR WRITTEN CONSENT OF IBEX METAL, LLC	TRIM 05E

Product ID :	05E
Name :	1" J-CHANNEL
Description :	Wide (1") J-Channel Trim



Metal Roofing, Siding, and Trim
 P: 208-565-3002
 www.ibexmetal.com
 info@ibexmetal.com
 282 Great Northern Road
 Bonners Ferry, ID 83805

TRIM 05E

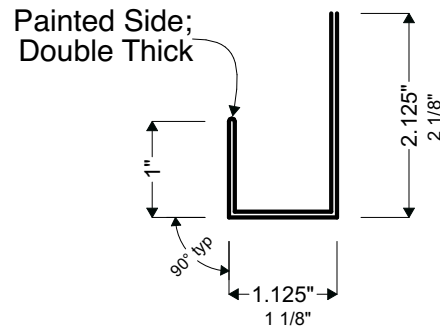
1

2

3

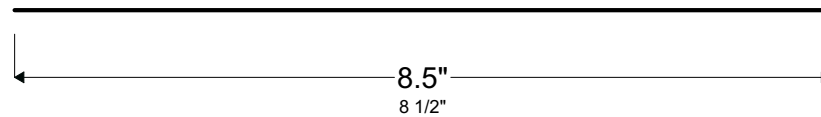
FRACTIONS ROUNDED TO NEAREST 1/16"
REVISED: 12/12/23

29 | 26



ARCHITECTURAL SERIES

A1 Profile Section Detail
Scale: 6" = 1'-0"



B1 Profile Flat Width Required
Scale: 6" = 1'-0"

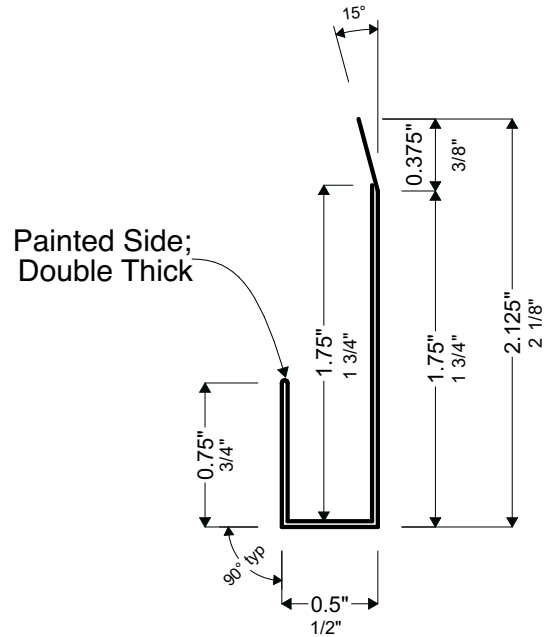
TRIM 05F	TRIM 05F
	PROPERTY OF IBEX <small>NOT FOR REPRODUCTION WITHOUT PRIOR WRITTEN PERMISSION OF IBEX METAL, LLC</small>

<i>Product ID :</i>	05F
<i>Name :</i>	FULL WRAP 1" J-CHANNEL
<i>Description :</i>	Wide (1") 2-Sided J-Channel



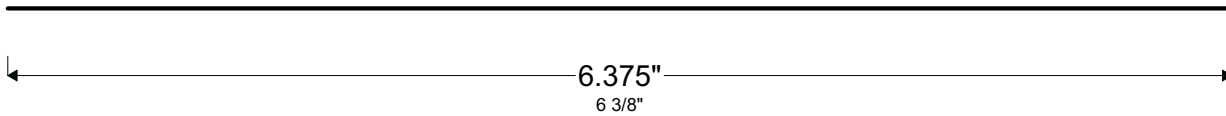
Metal Roofing, Siding, and Trim
 P: 208-565-3002
 www.ibexmetal.com
 info@ibexmetal.com
 282 Great Northern Road
 Bonners Ferry, ID 83805

FRACTIONS ROUNDED TO NEAREST 1/16"
 REVISED: 12/12/23



ARCHITECTURAL SERIES

A1 Profile Section Detail
 Scale: 1' = 1'-0"



B1 Profile Flat Width Required
 Scale: 1' = 1'-0"

TRIM 05G	PROPERTY OF IBEX NOT FOR REPRODUCTION WITHOUT PRIOR WRITTEN PERMISSION OF IBEX METAL, LLC
-----------------	---

<i>Product ID :</i>	05G
<i>Name :</i>	FULL WRAP MINI J-CHANNEL
<i>Description :</i>	Small 2-Sided J-Channel - Typ. used with Soffit

Metal Roofing, Siding, and Trim

P: 208-565-3002
 www.ibexmetal.com
 info@ibexmetal.com

282 Great Northern Road
 Bonners Ferry, ID 83805

IDAHO'S BEST EXTERIORS

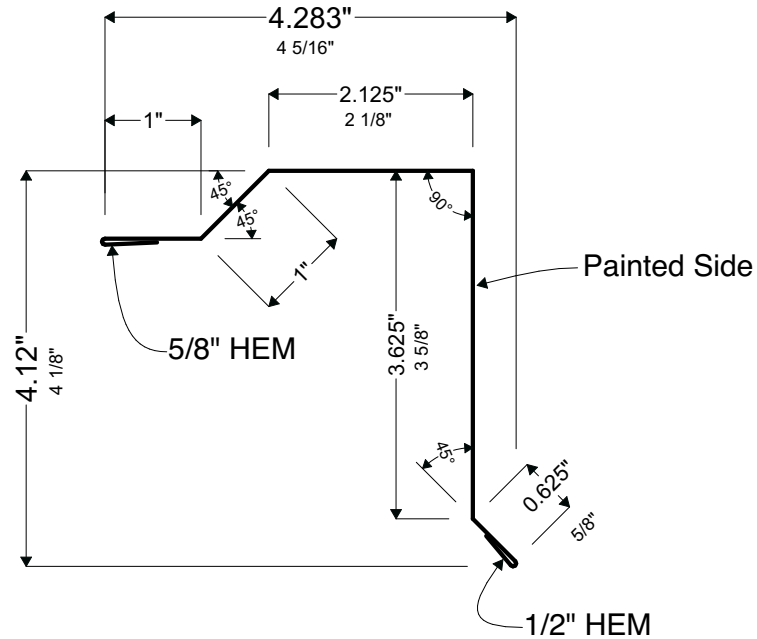
1

2

3

FRACTIONS ROUNDED TO NEAREST 1/16"
REVISED: 4/5/23

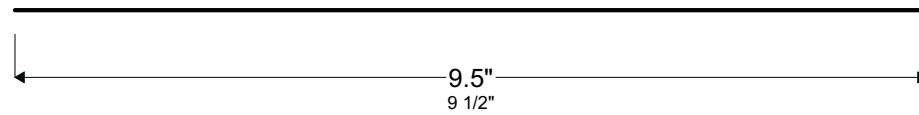
29 | 26 | 24 | 22



A

A1 Profile Section Detail
Scale: 6" = 1'-0"

A



B

B1 Profile Flat Width Required
Scale: 6" = 1'-0"

B

TRIM 06 PROPERTY OF IBEX NOT FOR REPRODUCTION WITHOUT PRIOR WRITTEN PERMISSION OF IBEX METAL, LLC	TRIM 06
--	----------------

Product ID :	06
Name :	MINI GABLE
Description :	Gable End Flashing Trim (Matches MINI EAVE)



Metal Roofing, Siding, and Trim
 P: 208-565-3002
 www.ibexmetal.com
 info@ibexmetal.com
 282 Great Northern Road
 Bonners Ferry, ID 83805

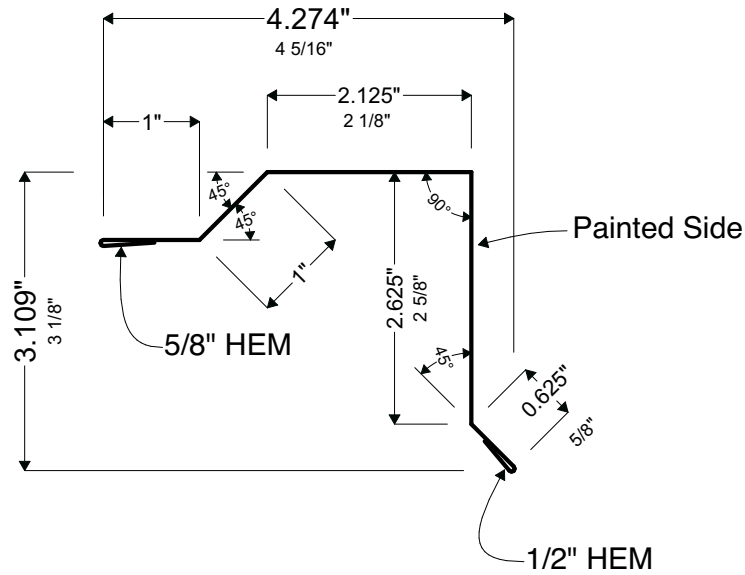
1

2

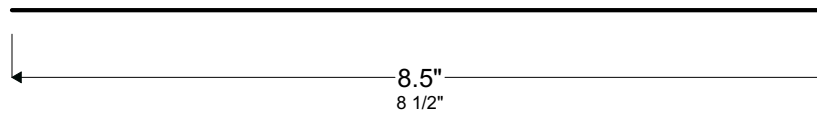
3

FRACTIONS ROUNDED TO NEAREST 1/16"
REVISED: 4/5/23

29 | 26 | 24 | 22



A1 Profile Section Detail
Scale: 6" = 1'-0"



B1 Profile Flat Width Required
Scale: 6" = 1'-0"

TRIM 06B

PROPERTY OF IBEX
NOT FOR REPRODUCTION WITHOUT PRIOR
WRITTEN CONSENT OF IBEX METAL, LLC

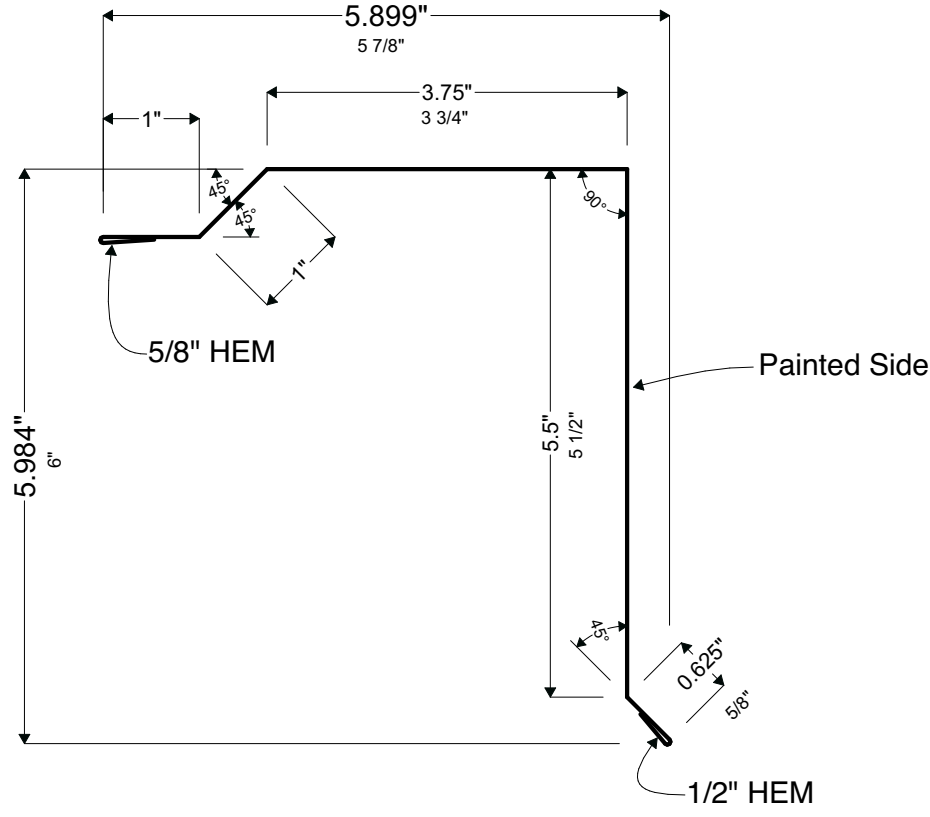
Product ID :	06B
Name :	MINI MINI GABLE
Description :	When MINI isn't mini enough



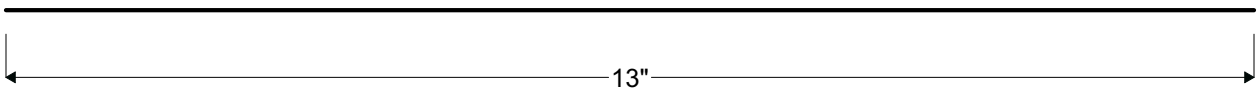
Metal Roofing, Siding, and Trim
 P: 208-565-3002
 www.ibexmetal.com
 info@ibexmetal.com
 282 Great Northern Road
 Bonners Ferry, ID 83805

FRACTIONS ROUNDED TO NEAREST 1/16"
 REVISED: 4/5/23

29 | 26 | 24 | 22



A1 Profile Section Detail
 Scale: 6" = 1'-0"



B1 Profile Flat Width Required
 Scale: 6" = 1'-0"

TRIM 06C
PROPERTY OF IBEX
 NOT FOR REPRODUCTION WITHOUT PRIOR
 WRITTEN CONSENT OF IBEX METAL, LLC
TRIM 06C

Product ID :	06C
Name :	OVERSIZED GABLE
Description :	Large Gable Flashing Trim



IBEX

IDAHO'S BEST EXTERIORS

Metal Roofing, Siding, and Trim

P: 208-565-3002
 www.ibexmetal.com
 info@ibexmetal.com

282 Great Northern Road
 Bonners Ferry, ID 83805

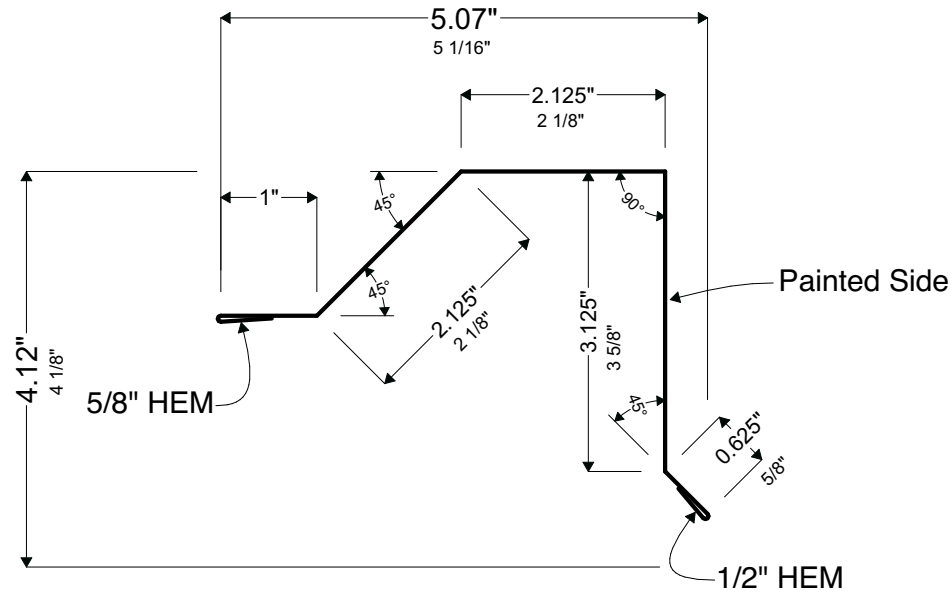
1

2

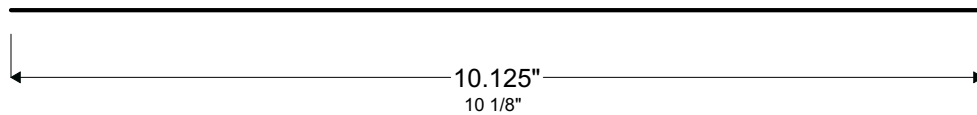
3

FRACTIONS ROUNDED TO NEAREST 1/16"
REVISED: 4/18/23

29 | 26 | 24 | 22



A1 Profile Section Detail
Scale: 6" = 1'-0"



B1 Profile Flat Width Required
Scale: 6" = 1'-0"

TRIM 06D

PROPERTY OF IBEX
NOT FOR REPRODUCTION WITHOUT PRIOR
WRITTEN CONSENT OF IBEX METAL, LLC

TRIM 06D

Product ID :	06D
Name :	STANDING SEAM GABLE (1.5")
Description :	Gable Trim for 1 1/2" Snaplock Standing Seam



IBEX

IDAHO'S BEST EXTERIORS

Metal Roofing, Siding, and Trim

P: 208-565-3002
www.ibexmetal.com
info@ibexmetal.com

282 Great Northern Road
Bonners Ferry, ID 83805

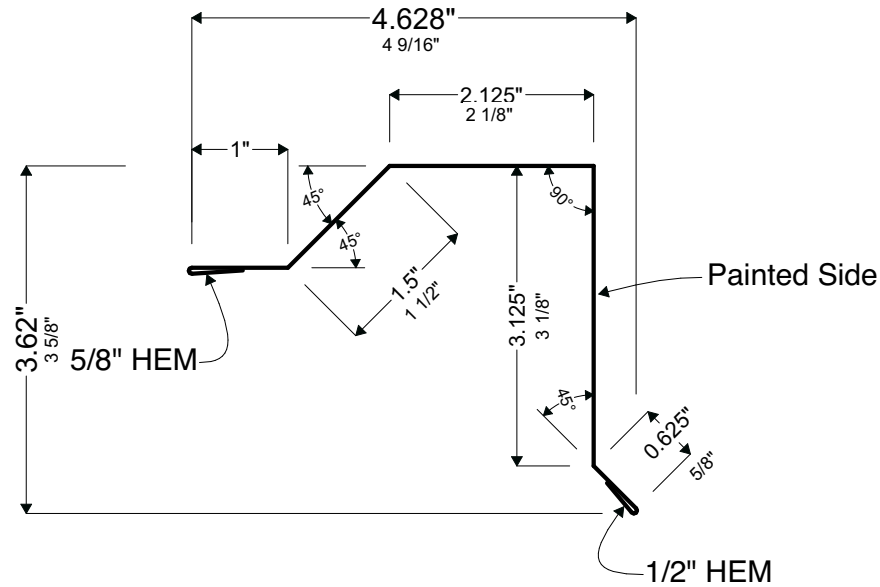
1

2

3

FRACTIONS ROUNDED TO NEAREST 1/16"
REVISED: 4/18/23

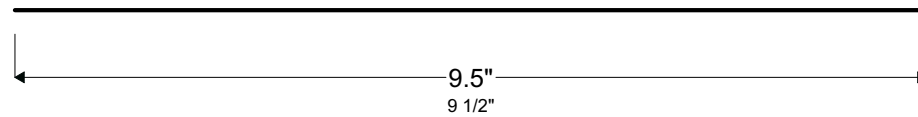
29 | 26 | 24 | 22



A

A1 Profile Section Detail
Scale: 6" = 1'-0"

A



B

B1 Profile Flat Width Required
Scale: 6" = 1'-0"

B

TRIM 06E

PROPERTY OF IBEX
NOT FOR REPRODUCTION WITHOUT PRIOR
WRITTEN PERMISSION OF IBEX METAL, LLC

TRIM 06E

Product ID :

06E

Name :

STANDING SEAM GABLE (1")

Description :

Gable Trim for 1" Snaplock Standing Seam



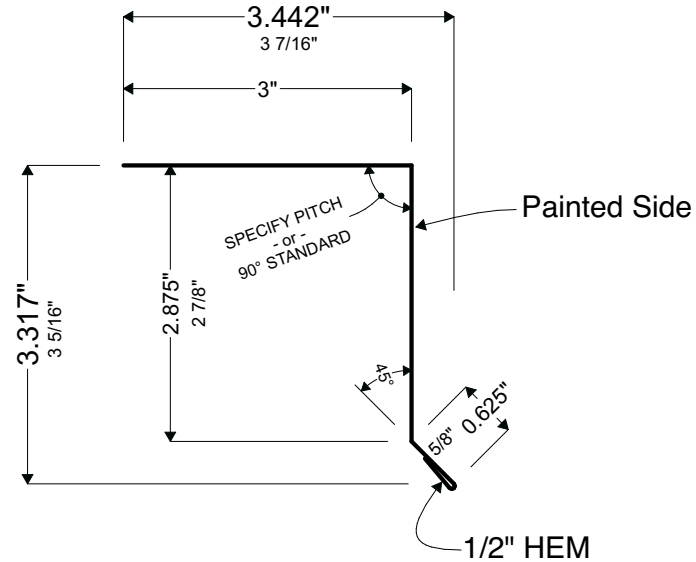
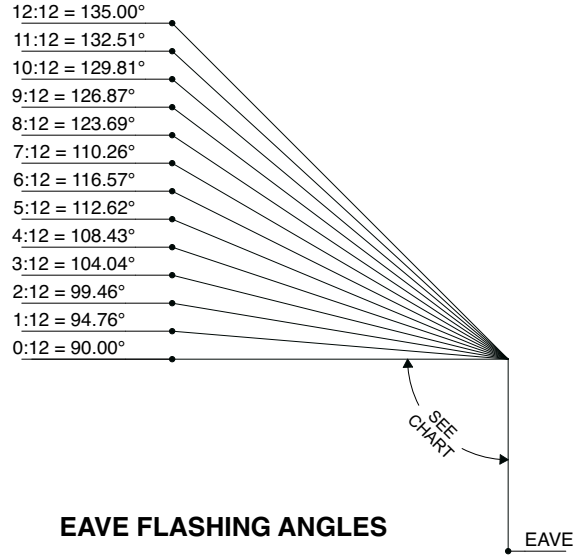
Metal Roofing, Siding, and Trim

P: 208-565-3002
www.ibexmetal.com
info@ibexmetal.com

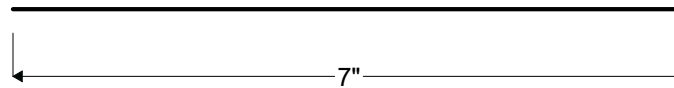
282 Great Northern Road
Bonners Ferry, ID 83805

FRACTIONS ROUNDED TO NEAREST 1/16"
 REVISED: 4/5/23

29 | 26 | 24 | 22



A1 Profile Section Detail
 Scale: 6" = 1'-0"



B1 Profile Flat Width Required
 Scale: 6" = 1'-0"

TRIM 07

PROPERTY OF IBEX
 NOT FOR REPRODUCTION WITHOUT PRIOR
 WRITTEN CONSENT OF IBEX METAL, LLC

TRIM 07

Product ID :	07
Name :	MINI EAVE
Description :	Eave Trim (Matches MINI GABLE)

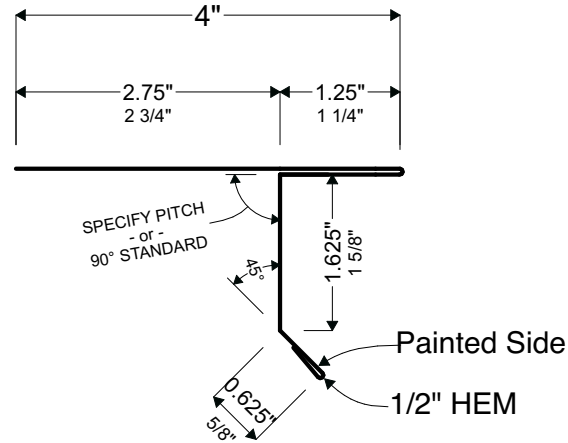
IBEX

IDAHO'S BEST EXTERIORS

Metal Roofing, Siding, and Trim
 P: 208-565-3002
 www.ibexmetal.com
 info@ibexmetal.com
 282 Great Northern Road
 Bonners Ferry, ID 83805

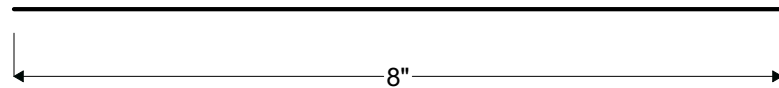
FRACTIONS ROUNDED TO NEAREST 1/16"
 REVISED: 12/12/23

29 | 26 | 24 | 22



ARCHITECTURAL SERIES

A1 Profile Section Detail
 Scale: 6" = 1'-0"



B1 Profile Flat Width Required
 Scale: 6" = 1'-0"

TRIM 07B

PROPERTY OF IBEX
 NOT FOR REPRODUCTION WITHOUT PRIOR
 WRITTEN CONSENT OF IBEX METAL, LLC

<i>Product ID :</i>	07B
<i>Name :</i>	STANDING SEAM EAVE (G DRIP EDGE)
<i>Description :</i>	Eave Trim (Matches STANDING SEAM GABLE)

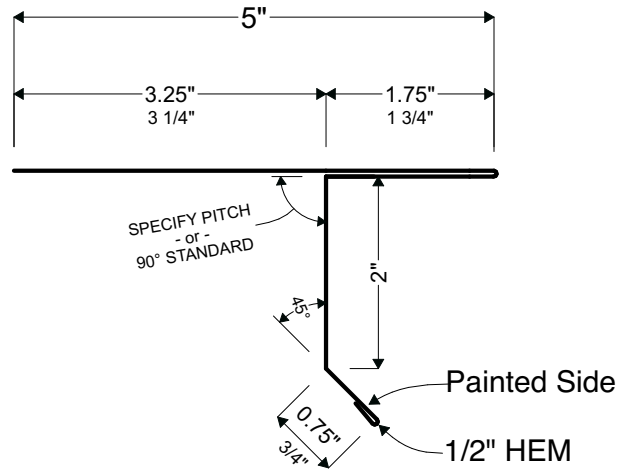
IBEX

IDAHO'S BEST EXTERIORS

Metal Roofing, Siding, and Trim
 P: 208-565-3002
 www.ibexmetal.com
 info@ibexmetal.com
 282 Great Northern Road
 Bonners Ferry, ID 83805

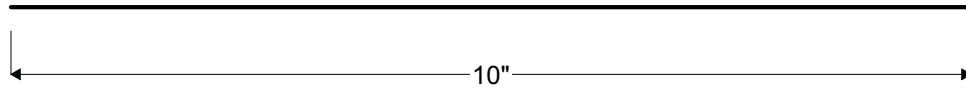
FRACTIONS ROUNDED TO NEAREST 1/16"
 REVISED: 12/12/23

29 | 26 | 24 | 22



ARCHITECTURAL SERIES

A1 Profile Section Detail
 Scale: 6" = 1'-0"



B1 Profile Flat Width Required
 Scale: 6" = 1'-0"

TRIM 07C
PROPERTY OF IBEX
 NOT FOR REPRODUCTION WITHOUT PRIOR
 WRITTEN CONSENT OF IBEX METAL, LLC
TRIM 07C

<i>Product ID :</i>	07C
<i>Name :</i>	JUMBO STANDING SEAM EAVE (G DRIP EDGE)
<i>Description :</i>	Large Eave Trim for Standing Seam



IBEX

IDAHO'S BEST EXTERIORS

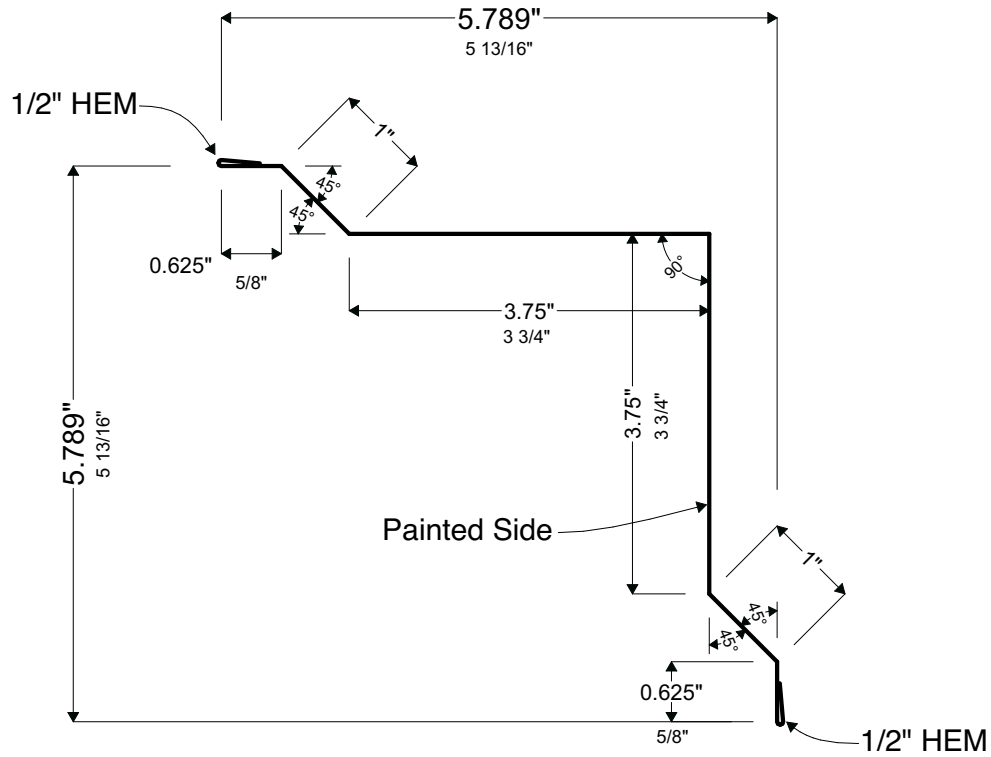
Metal Roofing, Siding, and Trim

P: 208-565-3002
 www.ibexmetal.com
 info@ibexmetal.com

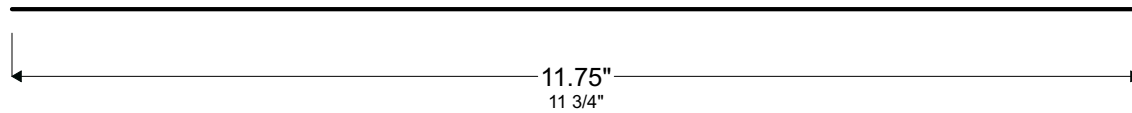
282 Great Northern Road
 Bonners Ferry, ID 83805

FRACTIONS ROUNDED TO NEAREST 1/16"
 REVISED: 4/5/23

29 | 26 | 24 | 22



A1 Profile Section Detail
 Scale: 6" = 1'-0"



B1 Profile Flat Width Required
 Scale: 6" = 1'-0"

TRIM 08 PROPERTY OF IBEX NOT FOR REPRODUCTION WITHOUT PRIOR WRITTEN CONSENT OF IBEX METAL, LLC	TRIM 08

Product ID :	08
Name :	INSIDE CORNER
Description :	Inside Corner Trim



Metal Roofing, Siding, and Trim
 P: 208-565-3002
 www.ibexmetal.com
 info@ibexmetal.com
 282 Great Northern Road
 Bonners Ferry, ID 83805

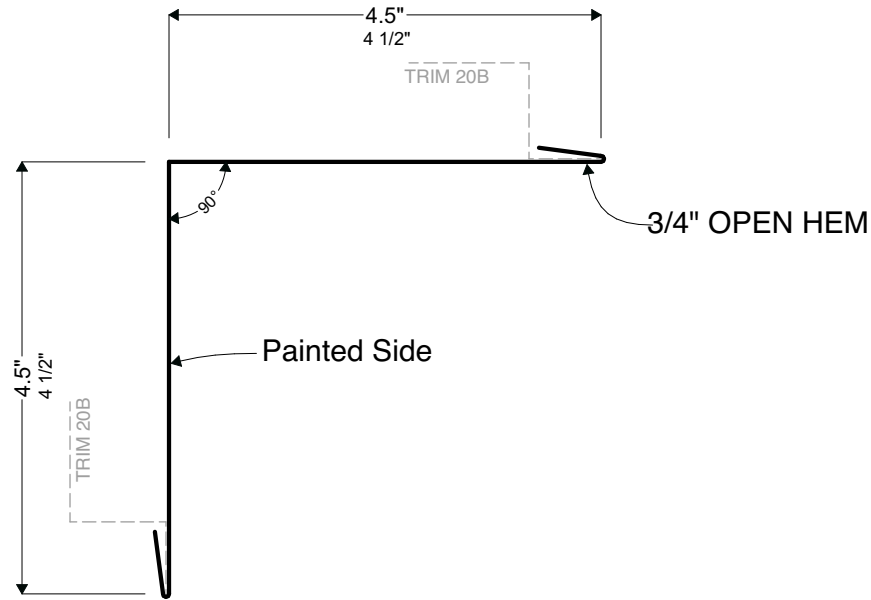
1

2

3

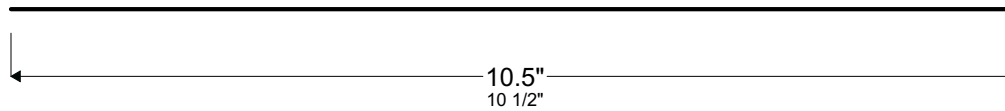
FRACTIONS ROUNDED TO NEAREST 1/16"
REVISED: 7/18/23

29 | 26 | 24 | 22



ARCHITECTURAL SERIES

A1 Profile Section Detail
Scale: 6" = 1'-0"



B1 Profile Flat Width Required
Scale: 6" = 1'-0"

TRIM 08B

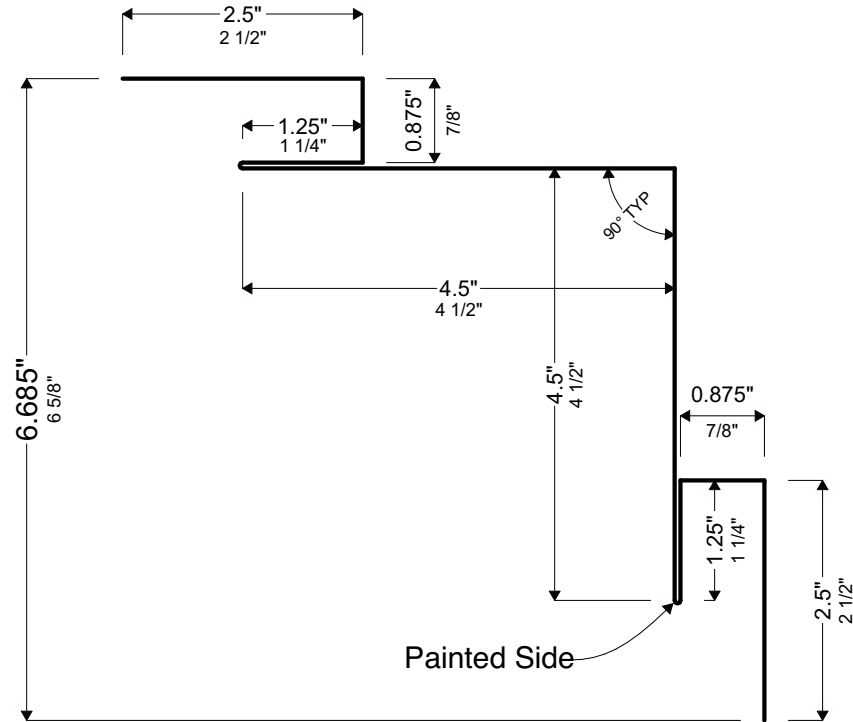
PROPERTY OF IBEX
NOT FOR REPRODUCTION WITHOUT PRIOR
WRITTEN CONSENT OF IBEX METAL, LLC

<i>Product ID :</i>	08B
<i>Name :</i>	ARCHITECTURAL INSIDE CORNER
<i>Description :</i>	Concealed Fastener Inside Corner Trim



Metal Roofing, Siding, and Trim
 P: 208-565-3002
 www.ibexmetal.com
 info@ibexmetal.com
 282 Great Northern Road
 Bonners Ferry, ID 83805

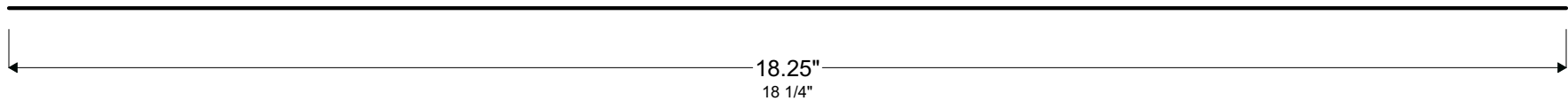
FRACTIONS ROUNDED TO NEAREST 1/16"
 REVISED: 12/12/23



29 | 26 | 24

ARCHITECTURAL SERIES

A1 Profile Section Detail
 Scale: 6" = 1'-0"



B1 Profile Flat Width Required
 Scale: 6" = 1'-0"

TRIM 08C PROPERTY OF IBEX NOT FOR REPRODUCTION WITHOUT PRIOR WRITTEN CONSENT OF IBEX METAL, LLC TRIM 08C	TRIM 08C
--	----------

Product ID :	08C
Name :	TRIM FIRST INSIDE CORNER
Description :	Siding Inside Corner Trim (TRIM FIRST)



Metal Roofing, Siding, and Trim
 P: 208-565-3002
 www.ibexmetal.com
 info@ibexmetal.com
 282 Great Northern Road
 Bonners Ferry, ID 83805

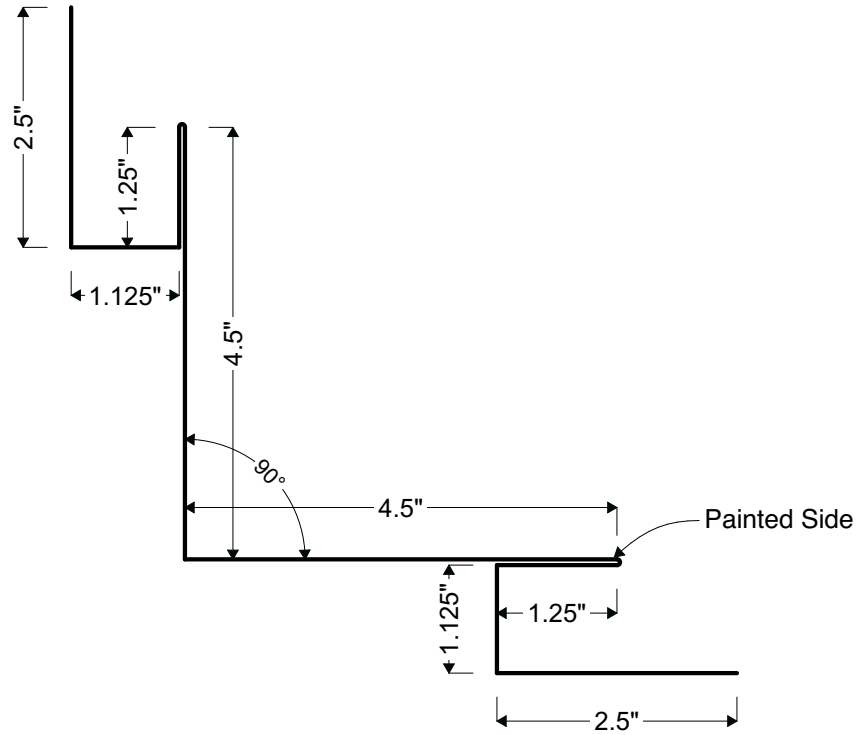
1

2

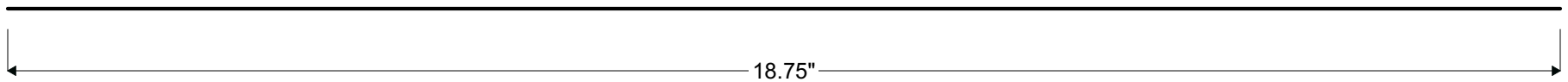
3

FRACTIONS ROUNDED TO NEAREST 1/16"
REVISED: *Work in Progress*

29 | 26 | 24



A1 Profile Section Detail
Scale: 6" = 1'-0"



B1 Profile Flat Width Required
Scale: 6" = 1'-0"

TRIM 08D PROPERTY OF IBEX NOT FOR REPRODUCTION WITHOUT PRIOR WRITTEN CONSENT OF IBEX METAL, LLC	TRIM 08D

Product ID :	08D
Name :	1" TRIM FIRST INSIDE CORNER
Description :	1" Siding Inside Corner Trim (TRIM FIRST)



Metal Roofing, Siding, and Trim
 P: 208-565-3002
 www.ibexmetal.com
 info@ibexmetal.com
 282 Great Northern Road
 Bonners Ferry, ID 83805

TRIM 08D

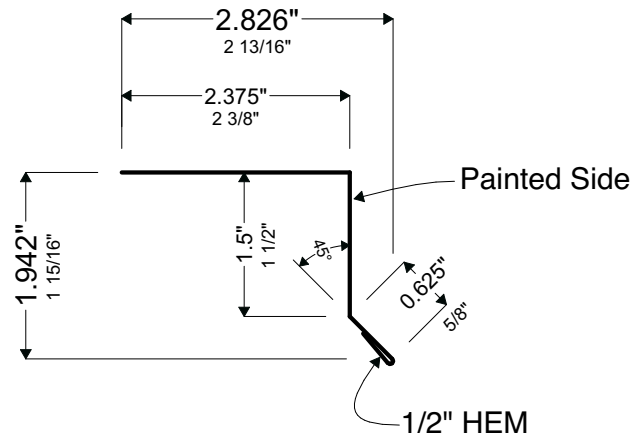
1

2

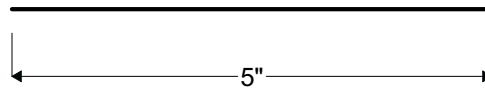
3

FRACTIONS ROUNDED TO NEAREST 1/16"
REVISED: 4/5/23

29 | 26 | 24 | 22



A1 Profile Section Detail
Scale: 6" = 1'-0"



B1 Profile Flat Width Required
Scale: 6" = 1'-0"

TRIM 09	PROPERTY OF IBEX NOT FOR REPRODUCTION WITHOUT PRIOR WRITTEN CONSENT OF IBEX METAL, LLC
---------	--

Product ID :	09
Name :	DRIP EDGE
Description :	Drip Edge Flashing "G-style"



Metal Roofing, Siding, and Trim
 P: 208-565-3002
 www.ibexmetal.com
 info@ibexmetal.com
 282 Great Northern Road
 Bonners Ferry, ID 83805

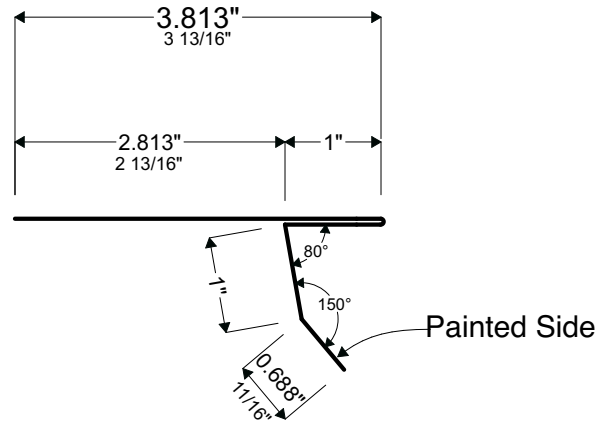
1

2

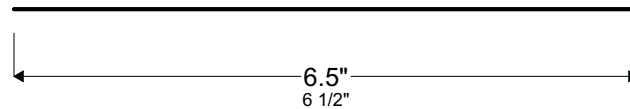
3

FRACTIONS ROUNDED TO NEAREST 1/16"
REVISED: 12/12/23

29 | 26 | 24 | 22



A1 Profile Section Detail
Scale: 6" = 1'-0"



B1 Profile Flat Width Required
Scale: 6" = 1'-0"

TRIM 09B

PROPERTY OF IBEX
NOT FOR REPRODUCTION WITHOUT PRIOR
WRITTEN CONSENT OF IBEX METAL, LLC

TRIM 09B

Product ID :	09B
Name :	DRIP EDGE B
Description :	Drip Edge Flashing "D-style"



Metal Roofing, Siding, and Trim
 P: 208-565-3002
 www.ibexmetal.com
 info@ibexmetal.com
 282 Great Northern Road
 Bonners Ferry, ID 83805

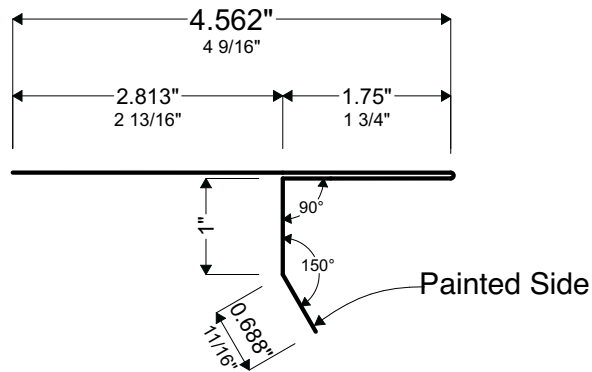
1

2

3

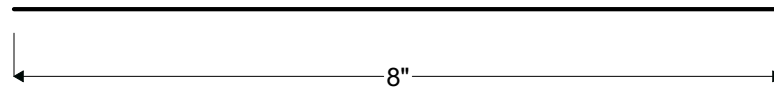
FRACTIONS ROUNDED TO NEAREST 1/16"
REVISED: 7/18/23

29 | 26 | 24 | 22



ARCHITECTURAL SERIES

A1 Profile Section Detail
Scale: 6" = 1'-0"



B1 Profile Flat Width Required
Scale: 6" = 1'-0"

TRIM 09C

Product ID :	09C
Name :	DRIP EDGE C
Description :	Drip Edge for Concealed Fastener "D-style"



Metal Roofing, Siding, and Trim
 P: 208-565-3002
 www.ibexmetal.com
 info@ibexmetal.com
 282 Great Northern Road
 Bonners Ferry, ID 83805

TRIM 09C

PROPERTY OF IBEX
NOT FOR REPRODUCTION WITHOUT PRIOR
WRITTEN PERMISSION OF IBEX METAL, LLC

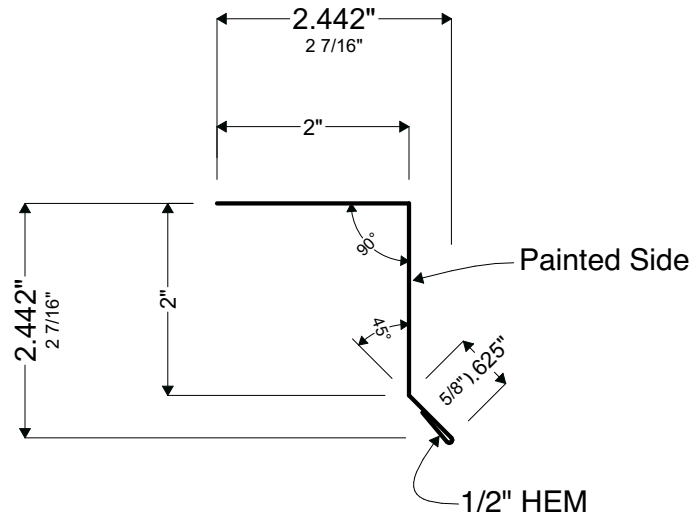
1

2

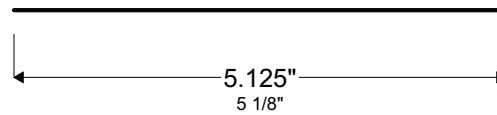
3

FRACTIONS ROUNDED TO NEAREST 1/16"
REVISED: 12/12/23

29 | 26 | 24 | 22



A1 Profile Section Detail
Scale: 6" = 1'-0"



B1 Profile Flat Width Required
Scale: 6" = 1'-0"

TRIM 09D PROPERTY OF IBEX NOT FOR REPRODUCTION WITHOUT PRIOR WRITTEN CONSENT OF IBEX METAL, LLC	TRIM 09D

Product ID :	09D
Name :	SSA 2x2 DRIP EDGE
Description :	Drip Edge SSA

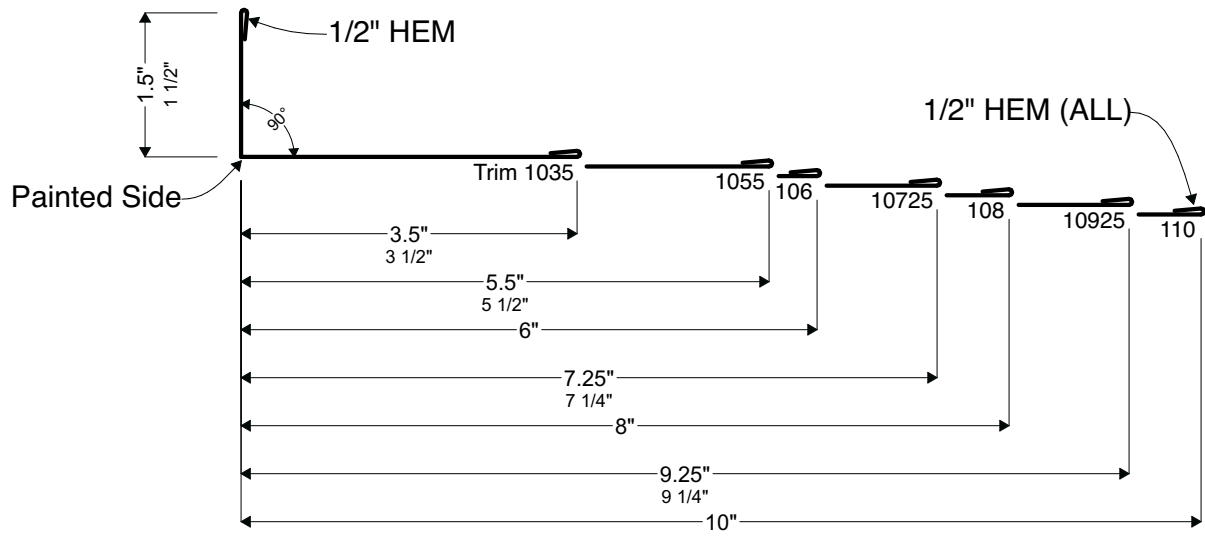


Metal Roofing, Siding, and Trim
 P: 208-565-3002
 www.ibexmetal.com
 info@ibexmetal.com
 282 Great Northern Road
 Bonners Ferry, ID 83805

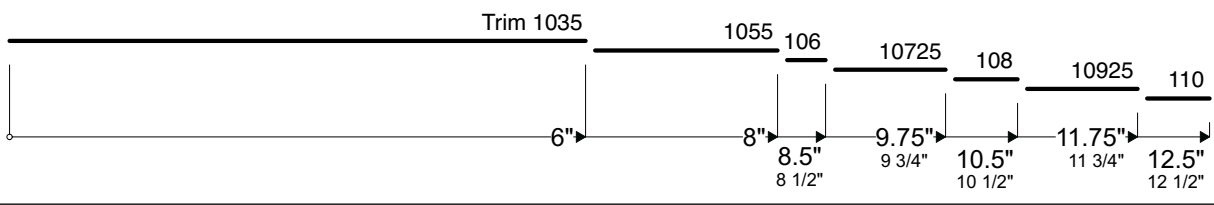
TRIM 09D

FRACTIONS ROUNDED TO NEAREST 1/16"
REVISED: 12/12/23

29 | 26 | 24 | 22



A1 Profile Section Detail
Scale: 6" = 1'-0"



B1 Profile Flat Width Required
Scale: 6" = 1'-0"

TRIM 10 PROPERTY OF IBEX NOT FOR REPRODUCTION WITHOUT PRIOR WRITTEN CONSENT OF IBEX METAL, LLC	TRIM 10

Product ID :	1035 - 110
Name :	POST TRIM
Description :	Trim covering vertical framing posts



IBEX

IDAHO'S BEST EXTERIORS

Metal Roofing, Siding, and Trim

P: 208-565-3002
www.ibexmetal.com
info@ibexmetal.com

282 Great Northern Road
Bonners Ferry, ID 83805

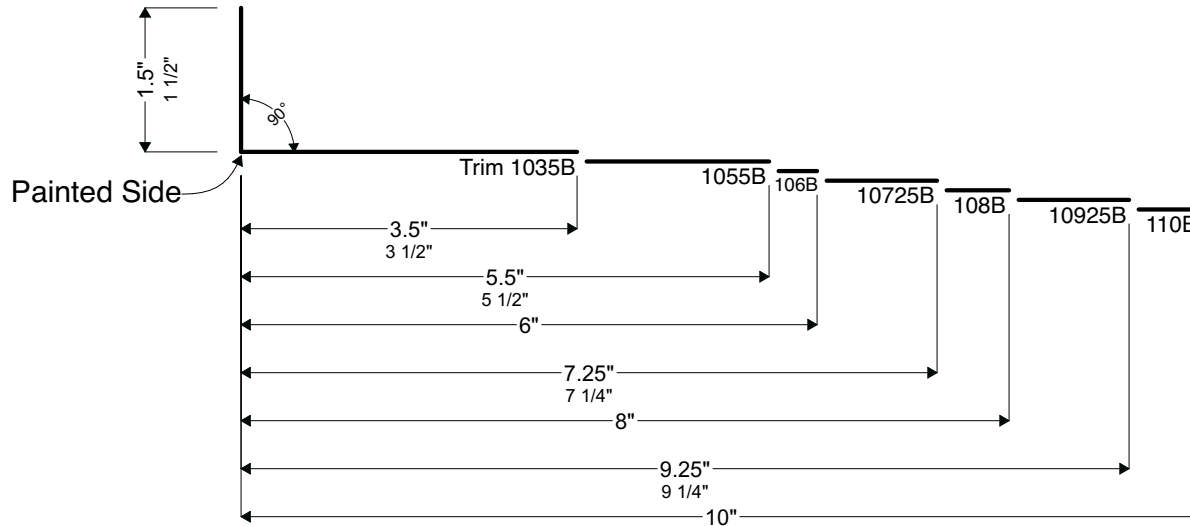
1

2

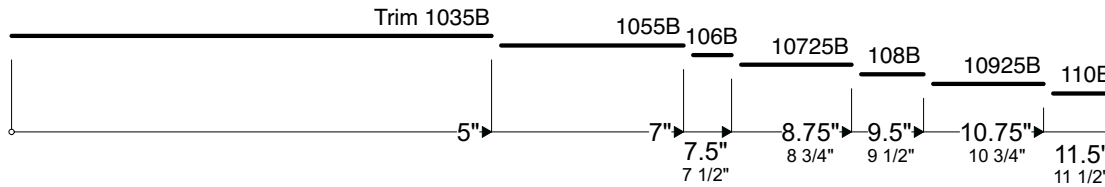
3

FRACTIONS ROUNDED TO NEAREST 1/16"
REVISED: 12/12/23

29 | 26 | 24 | 22



A1 Profile Section Detail
Scale: 6" = 1'-0"



B1 Profile Flat Width Required
Scale: 6" = 1'-0"

TRIM 10B NOT FOR REPRODUCTION WITHOUT PRIOR WRITTEN PERMISSION OF IBEX METAL, LLC PROPERTY OF IBEX	TRIM 10B

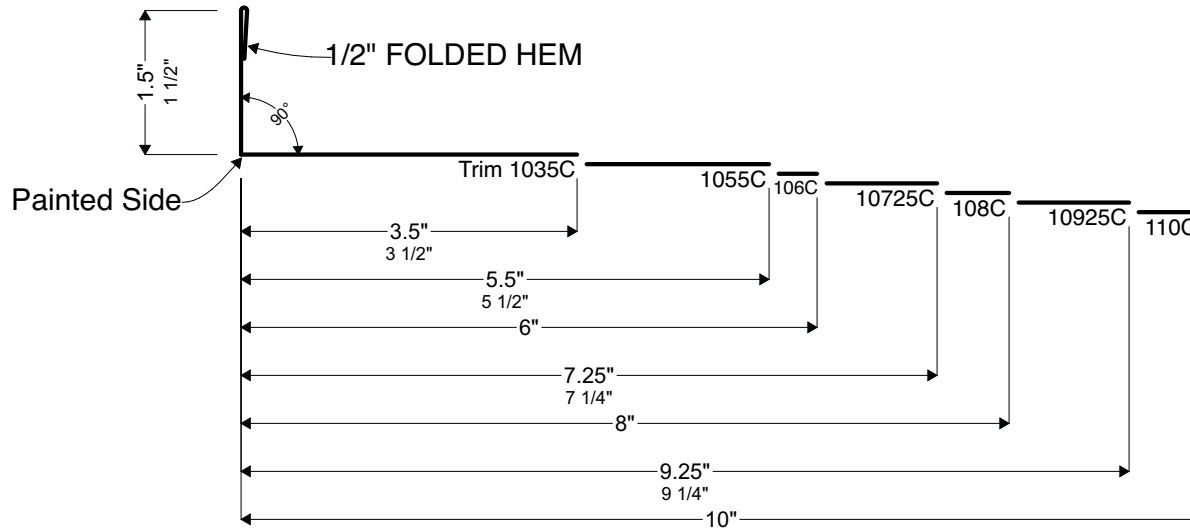
<i>Product ID :</i>	1035B - 110B
<i>Name :</i>	POST TRIM B
<i>Description :</i>	Trim covering vertical framing posts (NO HEM)



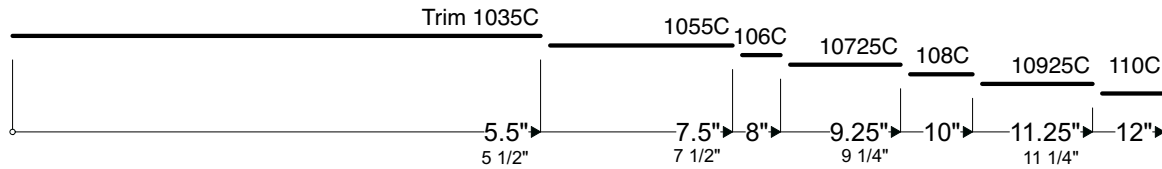
Metal Roofing, Siding, and Trim
 P: 208-565-3002
 www.ibexmetal.com
 info@ibexmetal.com
 282 Great Northern Road
 Bonners Ferry, ID 83805

FRACTIONS ROUNDED TO NEAREST 1/16"
 REVISED: 12/12/23

FOLDED: 29 | 26 | 24 | 22



A1 Profile Section Detail
 Scale: 6" = 1'-0"



B1 Profile Flat Width Required
 Scale: 6" = 1'-0"

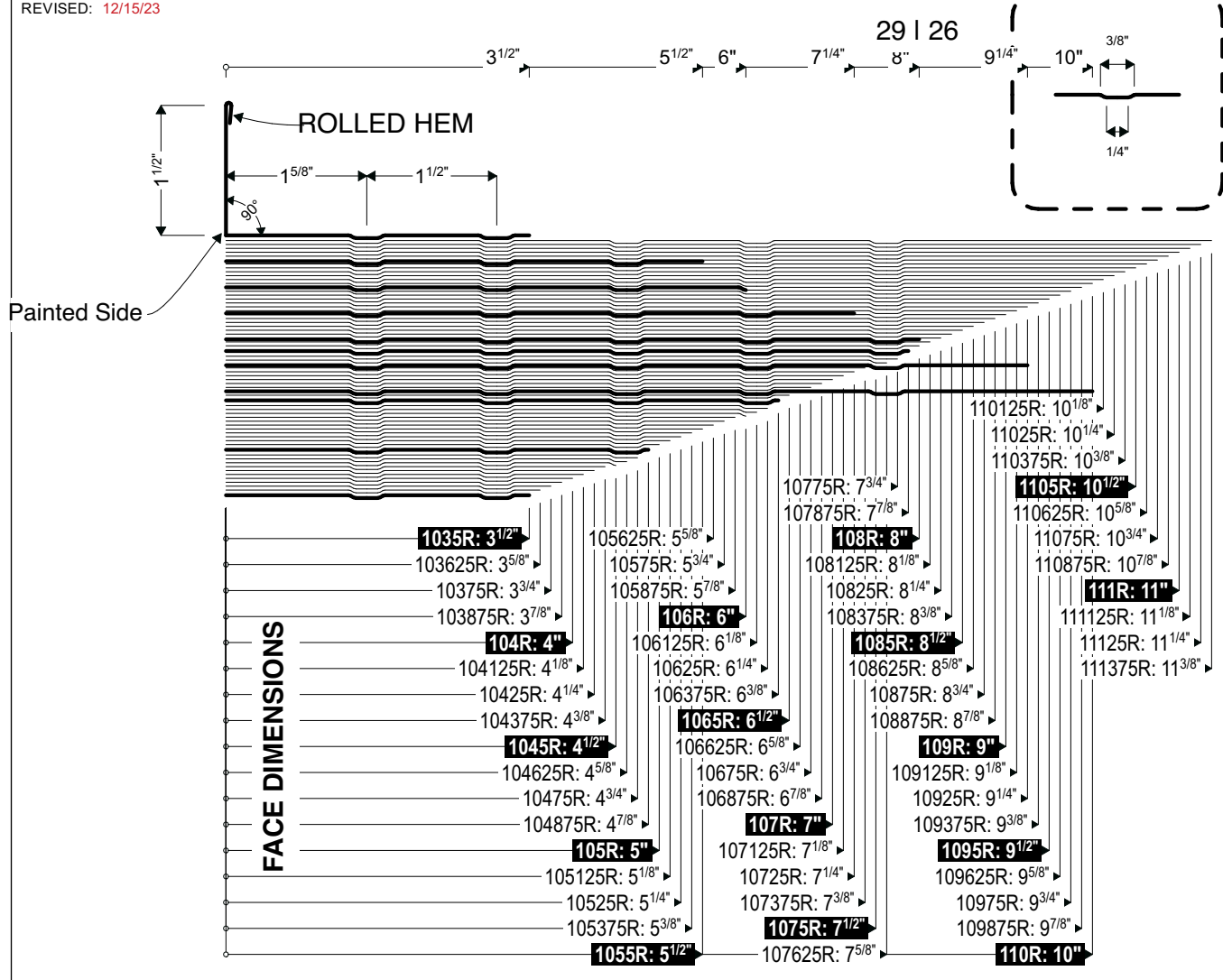
TRIM 10C PROPERTY OF IBEX NOT FOR REPRODUCTION WITHOUT PRIOR WRITTEN PERMISSION OF IBEX METAL, LLC	TRIM 10C

Product ID :	1035C - 110C
Name :	PLAIN FASCIA
Description :	Fascia Trim



Metal Roofing, Siding, and Trim
 P: 208-565-3002
 www.ibexmetal.com
 info@ibexmetal.com
 282 Great Northern Road
 Bonners Ferry, ID 83805

FRACTIONS ROUNDED TO NEAREST 1/16"
 REVISED: 12/15/23



BLANK DIMENSIONS:
 FACE DIMENSION + 1.875" (1 7/8")

1035R: 5.375" (5.375")	107625R: 9.5" (9.5")
103625R: 5.5" (5.5")	10775R: 9.625" (9.625")
10375R: 5.625" (5.625")	107875R: 9.75" (9.75")
103875R: 5.75" (5.75")	108R: 9.875" (9.875")
104R: 5.875" (5.875")	108125R: 10" (10")
104125R: 6" (6")	10825R: 10.125" (10.125")
10425R: 6.125" (6.125")	108375R: 10.25" (10.25")
104375R: 6.25" (6.25")	1085R: 10.375" (10.375")
1045R: 6.375" (6.375")	108625R: 10.5" (10.5")
104625R: 6.5" (6.5")	10875R: 10.625" (10.625")
10475R: 6.625" (6.625")	108875R: 10.75" (10.75")
104875R: 6.75" (6.75")	109R: 10.875" (10.875")
105R: 6.875" (6.875")	109125R: 11" (11")
105125R: 7" (7")	10925R: 11.125" (11.125")
10525R: 7.125" (7.125")	109375R: 11.25" (11.25")
105375R: 7.25" (7.25")	1095R: 11.375" (11.375")
1055R: 7.375" (7.375")	109625R: 11.5" (11.5")
105625R: 7.5" (7.5")	10975R: 11.625" (11.625")
10575R: 7.625" (7.625")	109875R: 11.75" (11.75")
105875R: 7.75" (7.75")	110R: 11.875" (11.875")
106R: 7.875" (7.875")	110125R: 12" (12")
106125R: 8" (8")	11025R: 12.125" (12.125")
10625R: 8.125" (8.125")	110375R: 12.25" (12.25")
106375R: 8.25" (8.25")	1105R: 12.375" (12.375")
1065R: 8.375" (8.375")	110625R: 12.5" (12.5")
106625R: 8.5" (8.5")	11075R: 12.625" (12.625")
10675R: 8.625" (8.625")	110875R: 12.75" (12.75")
106875R: 8.75" (8.75")	111R: 12.875" (12.875")
107R: 8.875" (8.875")	111125R: 13" (13")
107125R: 9" (9")	11125R: 13.125" (13.125")
10725R: 9.125" (9.125")	111375R: 13.25" (13.25")
107375R: 9.25" (9.25")	1115R: 13.375" (13.375")
1075R: 9.375" (9.375")	

A1 Profile Section Detail
 Scale: 6" = 1'-0"

TRIM 10R

PROPERTY OF IBEX
 NOT FOR REPRODUCTION WITHOUT PRIOR
 WRITTEN CONSENT OF IBEX METAL, LLC

TRIM 10R

Product ID :	1035R - 1115R
Name :	RIBBED FASCIA
Description :	Rolled Fascia Trim (Ribbed)



Metal Roofing, Siding, and Trim

P: 208-565-3002
 www.ibexmetal.com
 info@ibexmetal.com

282 Great Northern Road
 Bonners Ferry, ID 83805

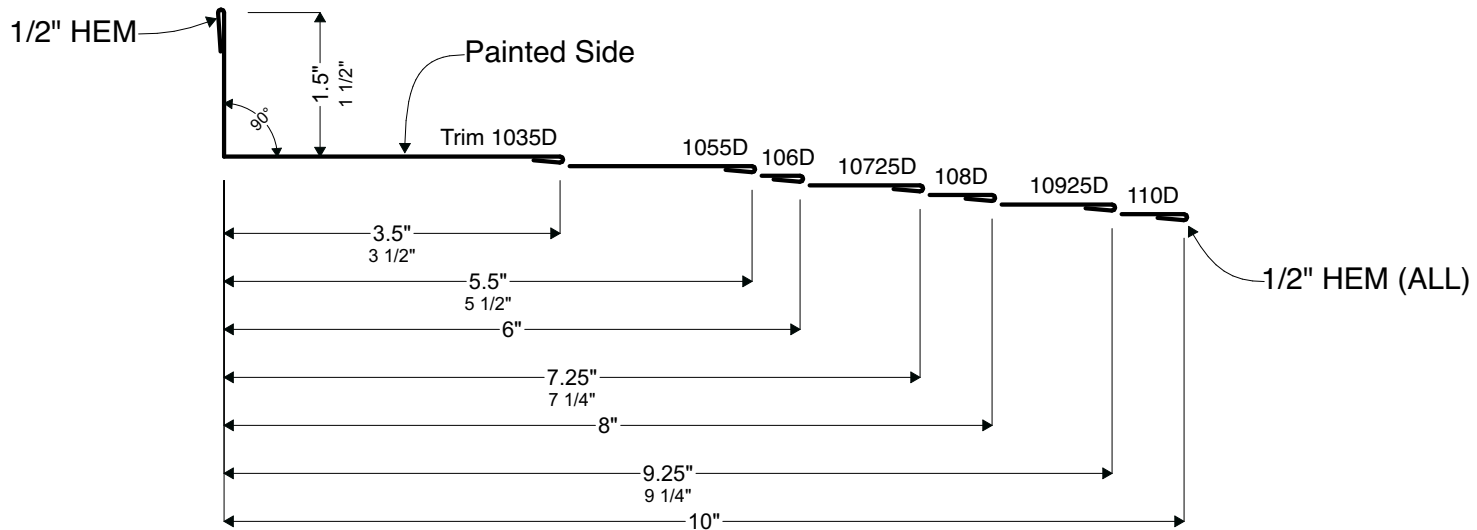
1

2

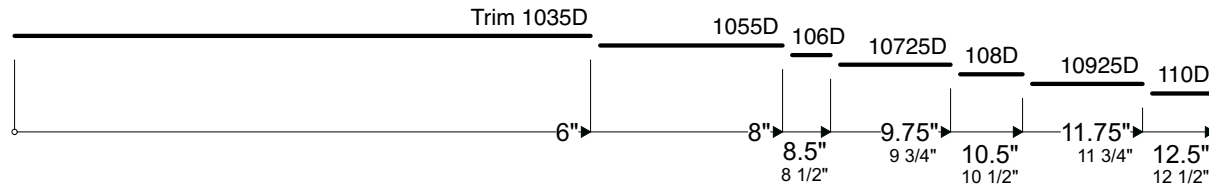
3

FRACTIONS ROUNDED TO NEAREST 1/16"
REVISED: 12/12/23

29 | 26 | 24 | 22



A1 Profile Section Detail
Scale: 6" = 1'-0"



B1 Profile Flat Width Required
Scale: 6" = 1'-0"

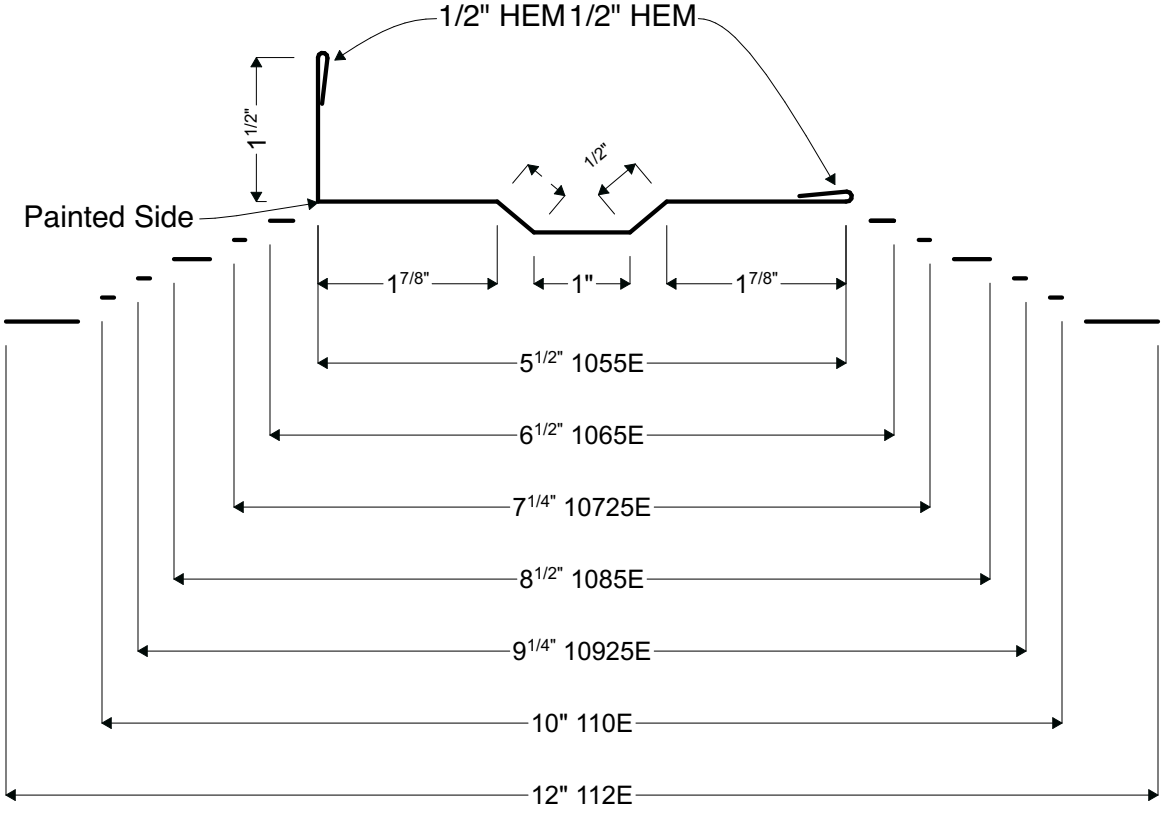
TRIM 10D PROPERTY OF IBEX NOT FOR REPRODUCTION WITHOUT PRIOR WRITTEN CONSENT OF IBEX METAL, LLC	TRIM 10D

Product ID :	1035D - 110D
Name :	INSIDE ANGLE
Description :	Multi-Use Inside Corner Angle



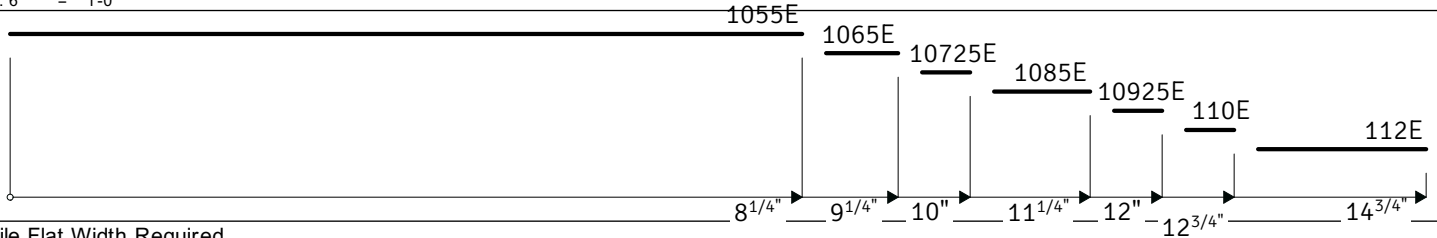
Metal Roofing, Siding, and Trim
 P: 208-565-3002
 www.ibexmetal.com
 info@ibexmetal.com
 282 Great Northern Road
 Bonners Ferry, ID 83805

FRACTIONS ROUNDED TO NEAREST 1/16"
 REVISED: *Work in Progress*



29 | 26 | 24 | 22

A1 Profile Section Detail
 Scale: 6" = 1'-0"



B1 Profile Flat Width Required
 Scale: 6" = 1'-0"

TRIM 10E
PROPERTY OF IBEX
 NOT FOR REPRODUCTION WITHOUT PRIOR
 WRITTEN CONSENT OF IBEX METAL, LLC

Product ID :	1055E-112E
Name :	BIG RIB FASCIA
Description :	Fascia Trim with Large Rib



Metal Roofing, Siding, and Trim
 P: 208-565-3002
 www.ibexmetal.com
 info@ibexmetal.com
 282 Great Northern Road
 Bonners Ferry, ID 83805

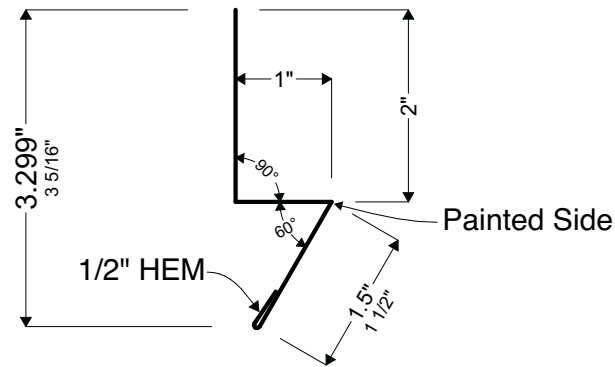
1

2

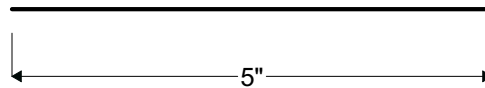
3

FRACTIONS ROUNDED TO NEAREST 1/16"
REVISED: 12/12/23

29 | 26 | 24 | 22
LENGTH: 10'-4" ONLY



A1 Profile Section Detail
Scale: 6" = 1'-0"



B1 Profile Flat Width Required
Scale: 6" = 1'-0"

TRIM 11 PROPERTY OF IBEX NOT FOR REPRODUCTION WITHOUT PRIOR WRITTEN CONSENT OF IBEX METAL, LLC	TRIM 11

Product ID :	11
Name :	RAT GUARD
Description :	Base Trim for Exterior Wall Panels



Metal Roofing, Siding, and Trim
 P: 208-565-3002
 www.ibexmetal.com
 info@ibexmetal.com
 282 Great Northern Road
 Bonners Ferry, ID 83805

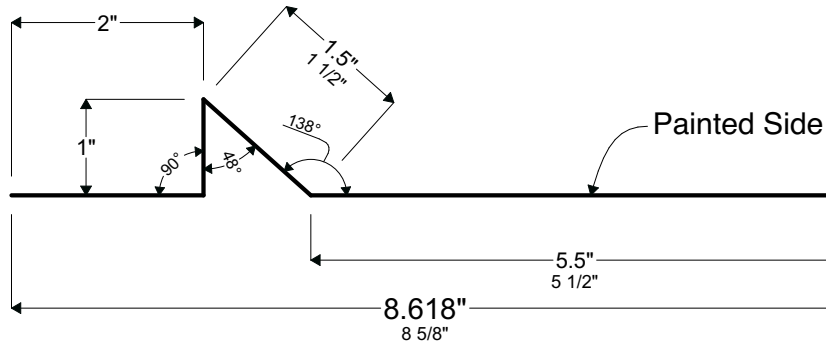
1

2

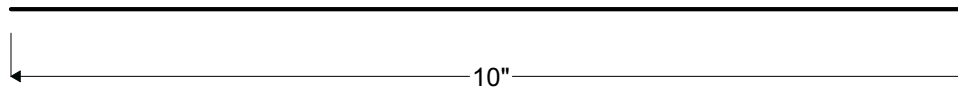
3

FRACTIONS ROUNDED TO NEAREST 1/16"
REVISED: 12/12/23

29 | 26 | 24 | 22
LENGTH: 10'-4" ONLY



A1 Profile Section Detail
Scale: 6" = 1'-0"



B1 Profile Flat Width Required
Scale: 6" = 1'-0"

TRIM 11B PROPERTY OF IBEX NOT FOR REPRODUCTION WITHOUT PRIOR WRITTEN PERMISSION OF IBEX METAL, LLC	TRIM 11B

Product ID :	11B
Name :	FAT RAT
Description :	Extended Base Trim for Exterior Wall Panels



Metal Roofing, Siding, and Trim
 P: 208-565-3002
 www.ibexmetal.com
 info@ibexmetal.com
 282 Great Northern Road
 Bonners Ferry, ID 83805

TRIM 11B

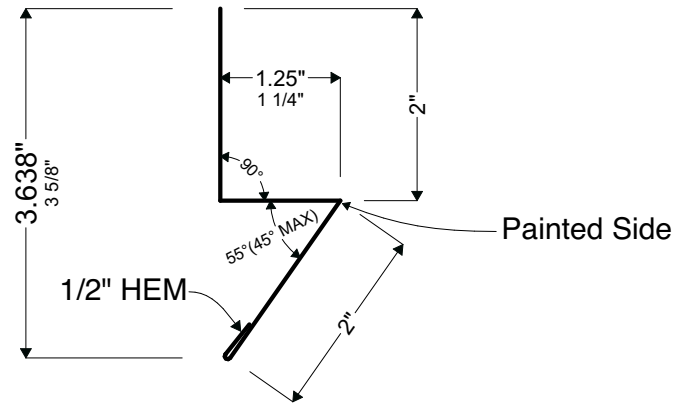
1

2

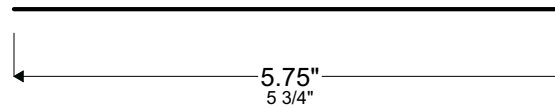
3

FRACTIONS ROUNDED TO NEAREST 1/16"
REVISED: 12/12/23

29 | 26 | 24 | 22
LENGTH: 10'-4" ONLY



A1 Profile Section Detail
Scale: 6" = 1'-0"



B1 Profile Flat Width Required
Scale: 6" = 1'-0"

TRIM 11C PROPERTY OF IBEX NOT FOR REPRODUCTION WITHOUT PRIOR WRITTEN CONSENT OF IBEX METAL, LLC	TRIM 11C
--	-----------------

Product ID :	11C
Name :	1" RAT GUARD
Description :	1" Base Trim for Exterior Wall Panels



Metal Roofing, Siding, and Trim
 P: 208-565-3002
 www.ibexmetal.com
 info@ibexmetal.com
 282 Great Northern Road
 Bonners Ferry, ID 83805

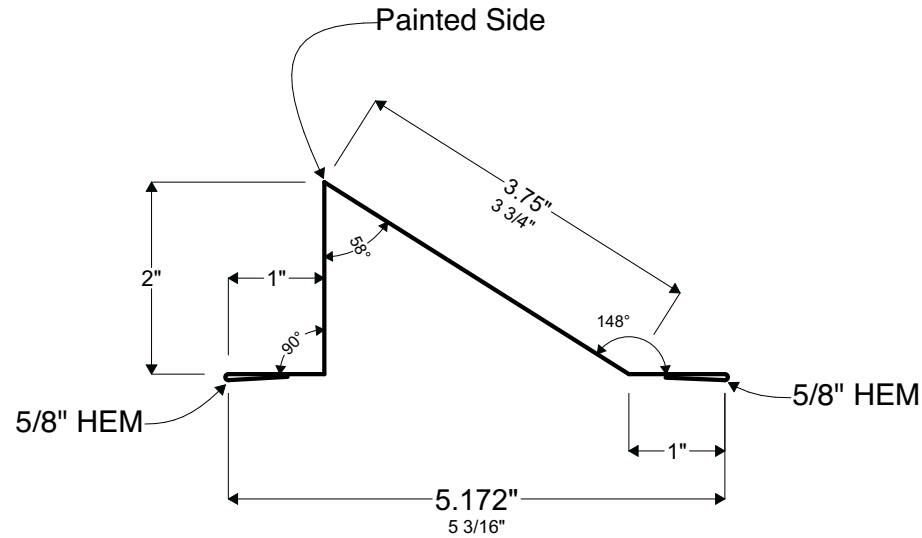
1

2

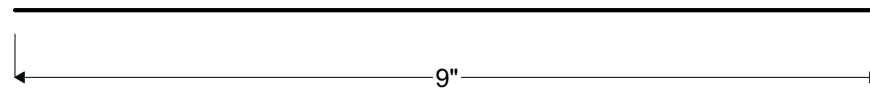
3

FRACTIONS ROUNDED TO NEAREST 1/16"
REVISED: 4/5/23

29 | 26 | 24 | 22



A **A1** Profile Section Detail
Scale: 6" = 1'-0"



B **B1** Profile Flat Width Required
Scale: 6" = 1'-0"

PROPERTY OF IBEX
 NOT FOR REPRODUCTION WITHOUT PRIOR
 WRITTEN CONSENT OF IBEX METAL, LLC
TRIM 12

Product ID :	12
Name :	SNOW GUARD
Description :	Snow Guard for Roof



Metal Roofing, Siding, and Trim
 P: 208-565-3002
 www.ibexmetal.com
 info@ibexmetal.com
 282 Great Northern Road
 Bonners Ferry, ID 83805

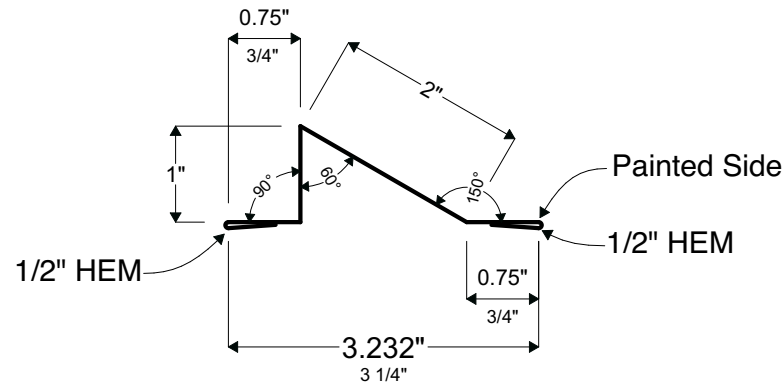
1

2

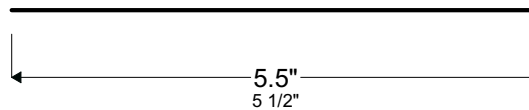
3

FRACTIONS ROUNDED TO NEAREST 1/16"
REVISED: 12/12/23

29 | 26 | 24 | 22
LENGTH: 10'-4" ONLY



A1 Profile Section Detail
Scale: 6" = 1'-0"



B1 Profile Flat Width Required
Scale: 6" = 1'-0"

TRIM 12B

PROPERTY OF IBEX
NOT FOR REPRODUCTION WITHOUT PRIOR
WRITTEN CONSENT OF IBEX METAL, LLC

TRIM 12B

Product ID :	12B
Name :	MINI SNOW GUARD
Description :	Mini Snow Guard for Roof

IBEX

IDAHO'S BEST EXTERIORS

Metal Roofing, Siding, and Trim

P: 208-565-3002
www.ibexmetal.com
info@ibexmetal.com

282 Great Northern Road
Bonners Ferry, ID 83805

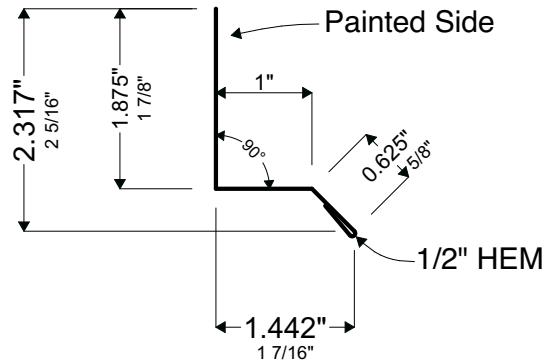
1

2

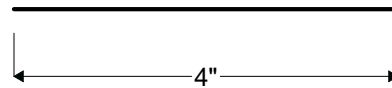
3

FRACTIONS ROUNDED TO NEAREST 1/16"
REVISED: 12/12/23

29 | 26 | 24 | 22



A1 Profile Section Detail
Scale: 6" = 1'-0"



B1 Profile Flat Width Required
Scale: 6" = 1'-0"

TRIM 13 PROPERTY OF IBEX NOT FOR REPRODUCTION WITHOUT PRIOR WRITTEN CONSENT OF IBEX METAL, LLC	TRIM 13

Product ID :	13
Name :	L BASE TRIM
Description :	Base Trim for Wall Panels



Metal Roofing, Siding, and Trim
 P: 208-565-3002
 www.ibexmetal.com
 info@ibexmetal.com
 282 Great Northern Road
 Bonners Ferry, ID 83805

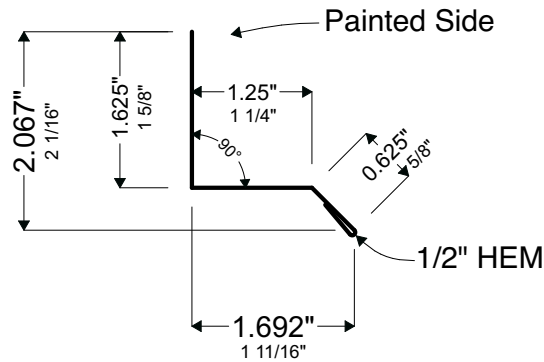
1

2

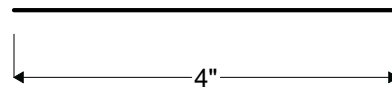
3

FRACTIONS ROUNDED TO NEAREST 1/16"
REVISED: 12/12/23

29 | 26 | 24 | 22



A1 Profile Section Detail
Scale: 6" = 1'-0"



B1 Profile Flat Width Required
Scale: 6" = 1'-0"

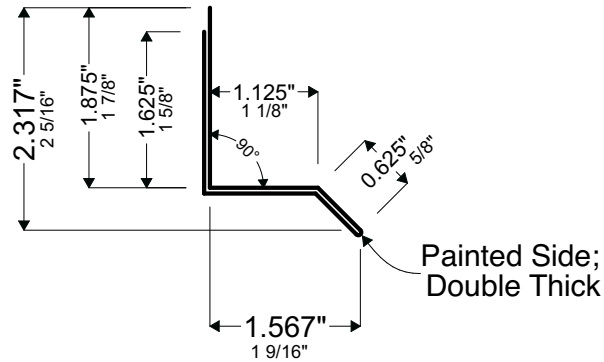
TRIM 13B PROPERTY OF IBEX NOT FOR REPRODUCTION WITHOUT PRIOR WRITTEN CONSENT OF IBEX METAL, LLC	TRIM 13B

Product ID :	13B
Name :	1" L BASE TRIM
Description :	1" Base Trim for Wall Panels



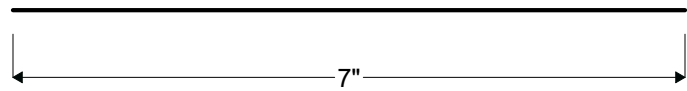
Metal Roofing, Siding, and Trim
 P: 208-565-3002
 www.ibexmetal.com
 info@ibexmetal.com
 282 Great Northern Road
 Bonners Ferry, ID 83805

FRACTIONS ROUNDED TO NEAREST 1/16"
 REVISED: 12/12/23



ARCHITECTURAL SERIES

A1 Profile Section Detail
 Scale: 6" = 1'-0"



B1 Profile Flat Width Required
 Scale: 6" = 1'-0"

PROPERTY OF IBEX
 NOT FOR REPRODUCTION WITHOUT PRIOR
 WRITTEN CONSENT OF IBEX METAL, LLC

TRIM 13C

<i>Product ID :</i>	13C
<i>Name :</i>	FULL WRAP L BASE
<i>Description :</i>	Base Trim for Wall Panels w/Paint Inside



IBEX

IDAHO'S BEST EXTERIORS

Metal Roofing, Siding, and Trim

P: 208-565-3002
 www.ibexmetal.com
 info@ibexmetal.com

282 Great Northern Road
 Bonners Ferry, ID 83805

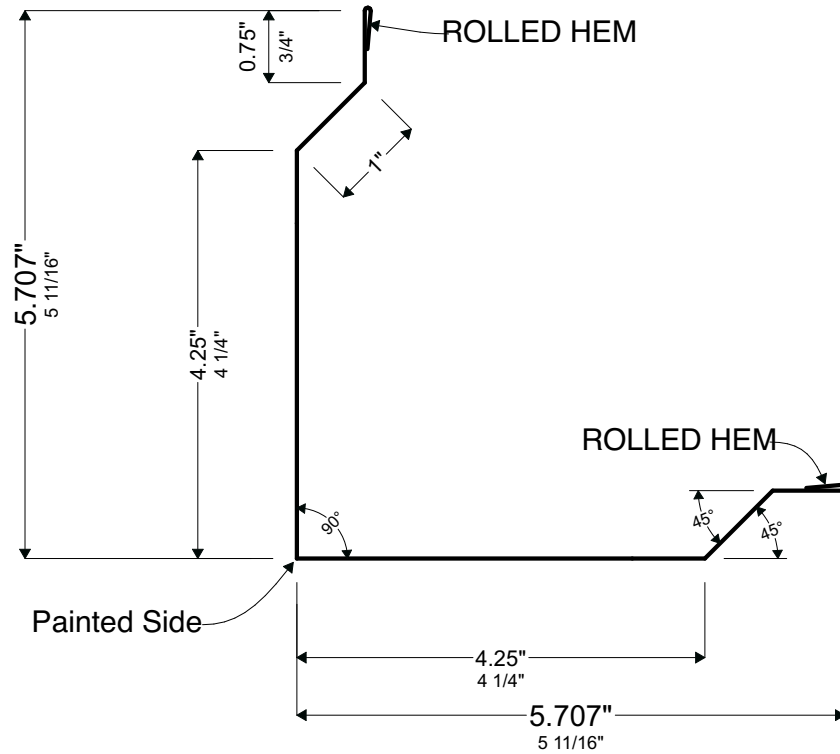
1

2

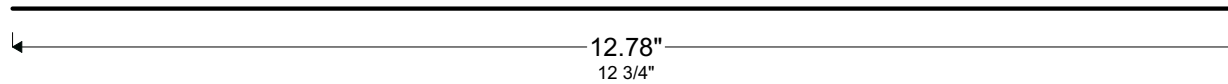
3

FRACTIONS ROUNDED TO NEAREST 1/16"
REVISED: 7/18/23

29 | 26



A1 Profile Section Detail
Scale: 6" = 1'-0"



B1 Profile Flat Width Required
Scale: 6" = 1'-0"

TRIM 14 PROPERTY OF IBEX NOT FOR REPRODUCTION WITHOUT PRIOR WRITTEN CONSENT OF IBEX METAL, LLC	TRIM 14

Product ID :	14
Name :	OUTSIDE CORNER
Description :	Outside Corner Trim for Wall Panels



Metal Roofing, Siding, and Trim
 P: 208-565-3002
 www.ibexmetal.com
 info@ibexmetal.com
 282 Great Northern Road
 Bonners Ferry, ID 83805

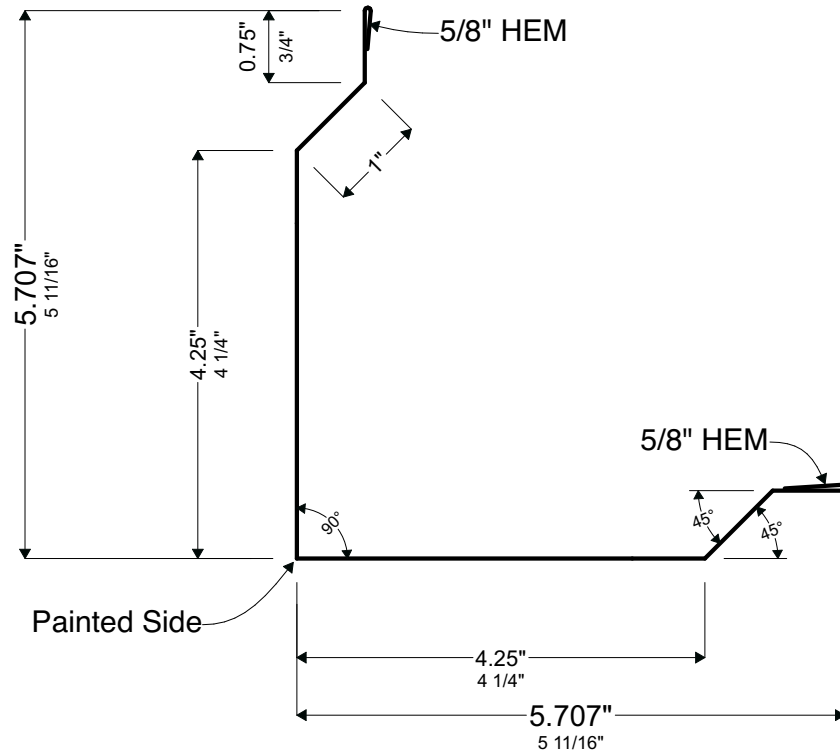
1

2

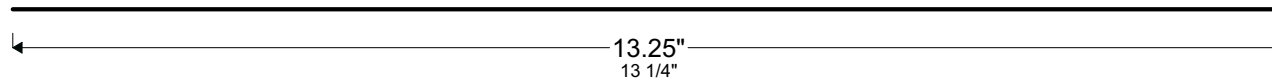
3

FRACTIONS ROUNDED TO NEAREST 1/16"
REVISED: 7/18/23

29 | 26 | 24 | 22



A1 Profile Section Detail
Scale: 6" = 1'-0"



B1 Profile Flat Width Required
Scale: 6" = 1'-0"

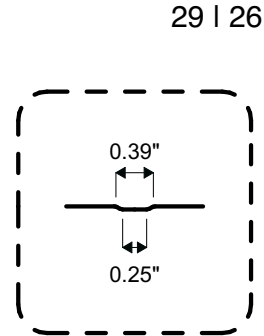
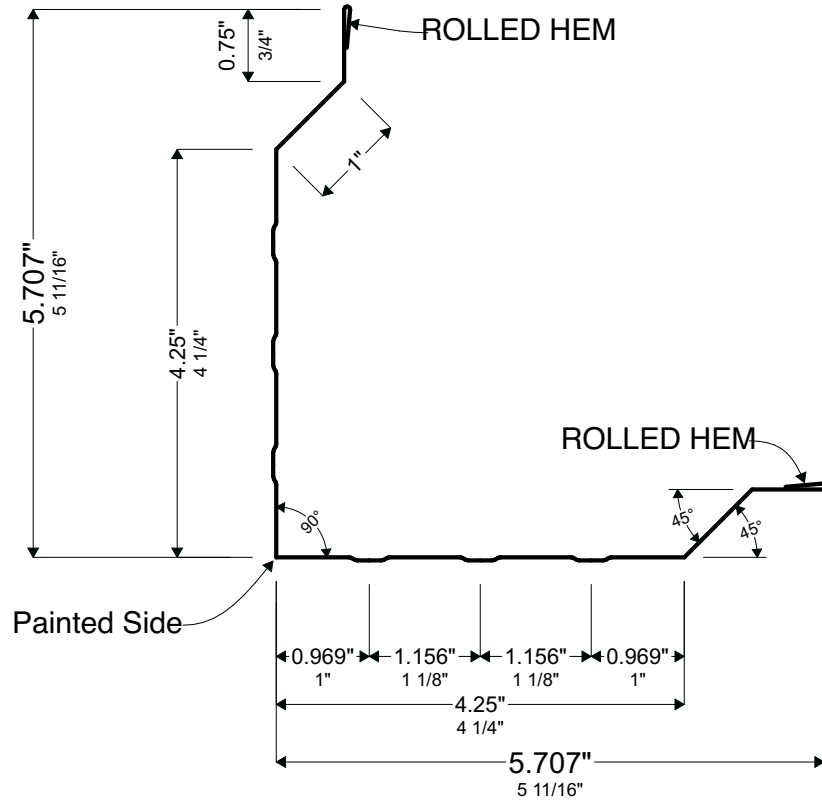
TRIM 14F PROPERTY OF IBEX NOT FOR REPRODUCTION WITHOUT PRIOR WRITTEN CONSENT OF IBEX METAL, LLC	TRIM 14F

Product ID :	14F
Name :	FOLDED OUTSIDE CORNER
Description :	Outside Corner Trim for Wall Panels (Folded)

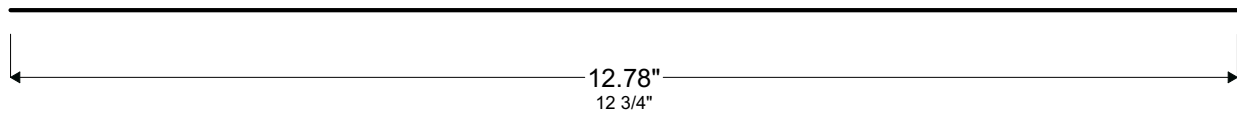


Metal Roofing, Siding, and Trim
 P: 208-565-3002
 www.ibexmetal.com
 info@ibexmetal.com
 282 Great Northern Road
 Bonners Ferry, ID 83805

FRACTIONS ROUNDED TO NEAREST 1/16"
 REVISED: 4/5/23



A **A1** Profile Section Detail
 Scale: 6" = 1'-0"



B **B1** Profile Flat Width Required
 Scale: 6" = 1'-0"

TRIM 14R
PROPERTY OF IBEX
 NOT FOR REPRODUCTION WITHOUT PRIOR
 WRITTEN CONSENT OF IBEX METAL, LLC

Product ID :	14R
Name :	OUTSIDE CORNER (RIBBED)
Description :	Outside Corner Trim for Wall Panels (Ribbed)



IBEX

IDAHO'S BEST EXTERIORS

Metal Roofing, Siding, and Trim

P: 208-565-3002
 www.ibexmetal.com
 info@ibexmetal.com

282 Great Northern Road
 Bonners Ferry, ID 83805

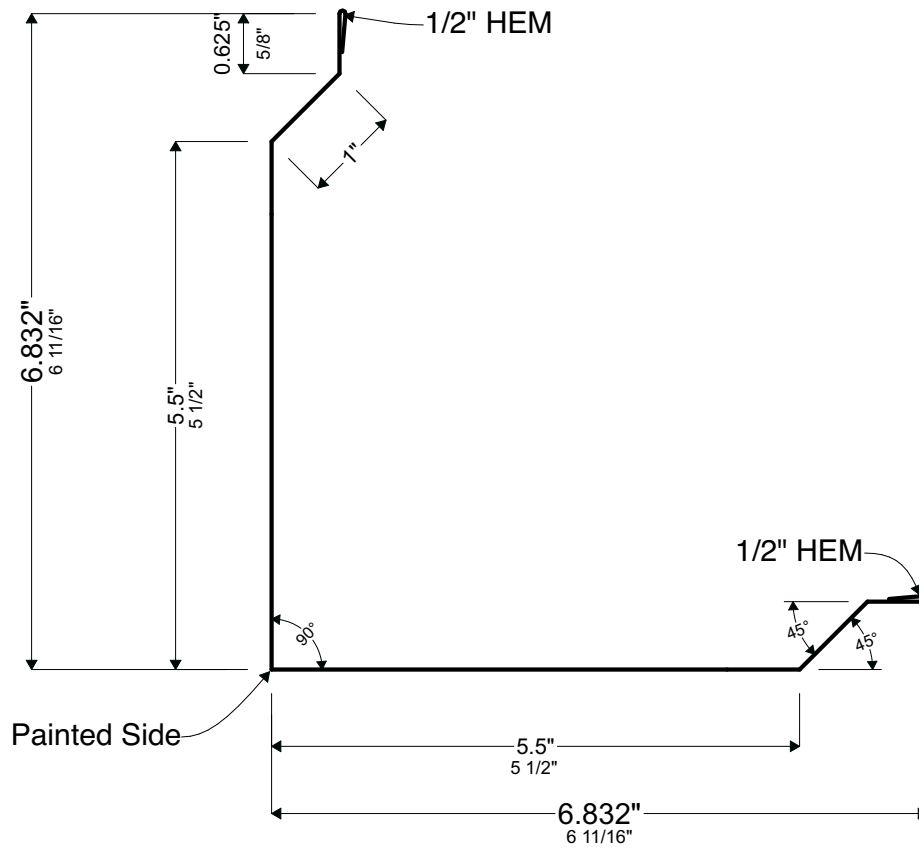
1

2

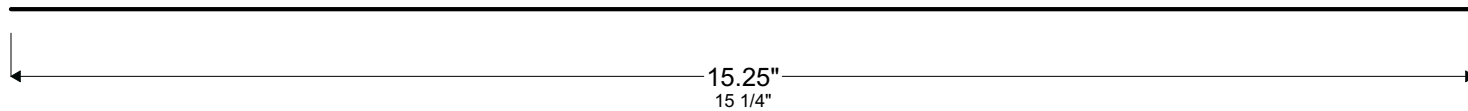
3

FRACTIONS ROUNDED TO NEAREST 1/16"
REVISED: 4/5/23

29 | 26 | 24 | 22



A1 Profile Section Detail
Scale: 6" = 1'-0"



B1 Profile Flat Width Required
Scale: 6" = 1'-0"

TRIM 14B

PROPERTY OF IBEX
NOT FOR REPRODUCTION WITHOUT PRIOR
WRITTEN PERMISSION OF IBEX METAL, LLC

Product ID :	14B
Name :	OVERSIZE OUTSIDE CORNER
Description :	Large Outside Corner Trim for Wall Panels



Metal Roofing, Siding, and Trim
 P: 208-565-3002
 www.ibexmetal.com
 info@ibexmetal.com
 282 Great Northern Road
 Bonners Ferry, ID 83805

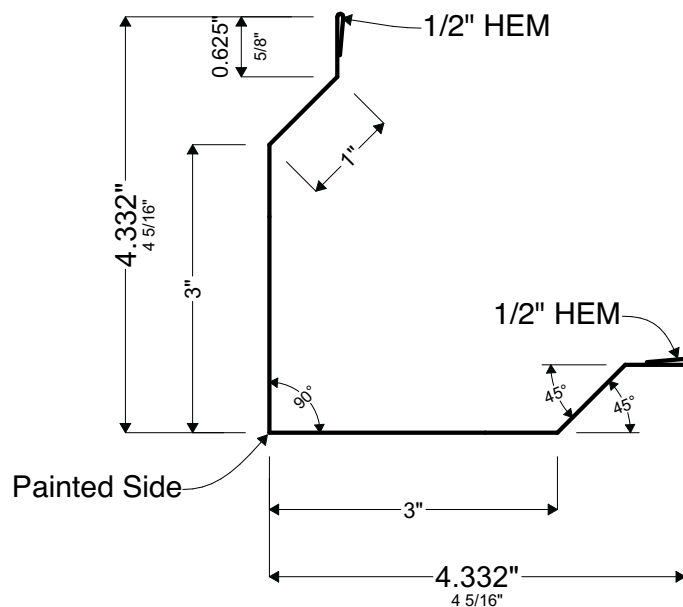
1

2

3

FRACTIONS ROUNDED TO NEAREST 1/16"
REVISED: 4/5/23

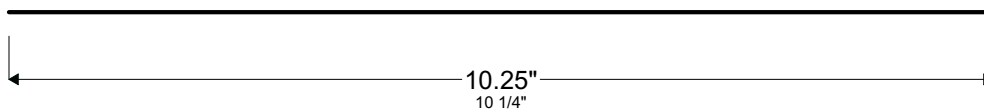
29 | 26 | 24 | 22



A

A1 Profile Section Detail
Scale: 6" = 1'-0"

A



B

B1 Profile Flat Width Required
Scale: 6" = 1'-0"

B

TRIM 14C

PROPERTY OF IBEX NOT FOR REPRODUCTION WITHOUT PRIOR WRITTEN CONSENT OF IBEX METAL, LLC	TRIM 14C
--	----------

Product ID :	14C
Name :	MINI OUTSIDE CORNER
Description :	Small Outside Corner Trim for Wall Panels



Metal Roofing, Siding, and Trim

P: 208-565-3002
www.ibexmetal.com
info@ibexmetal.com

282 Great Northern Road
Bonners Ferry, ID 83805

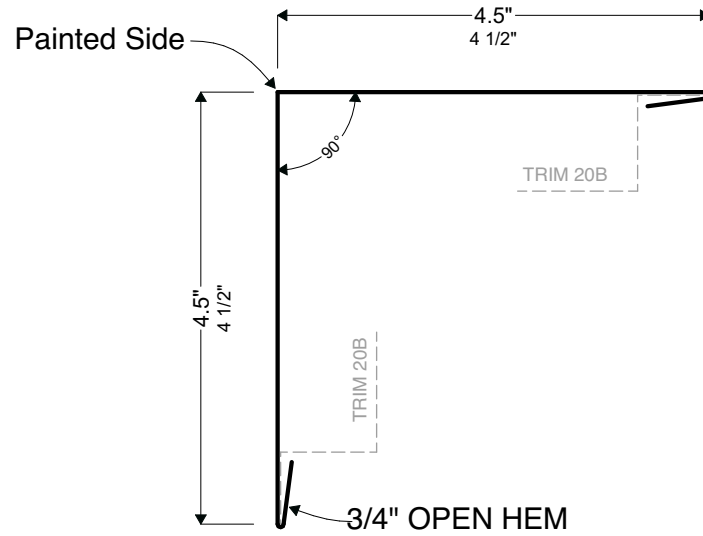
1

2

3

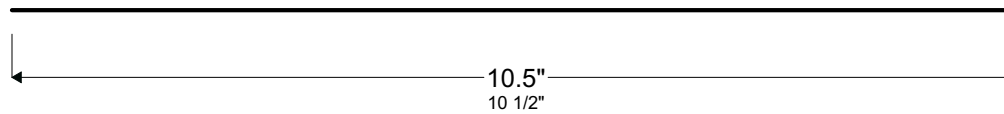
FRACTIONS ROUNDED TO NEAREST 1/16"
REVISED: 4/5/23

29 | 26 | 24 | 22



ARCHITECTURAL SERIES

A1 Profile Section Detail
Scale: 6" = 1'-0"



B1 Profile Flat Width Required
Scale: 6" = 1'-0"

TRIM 14D PROPERTY OF IBEX NOT FOR REPRODUCTION WITHOUT PRIOR WRITTEN CONSENT OF IBEX METAL, LLC	TRIM 14D

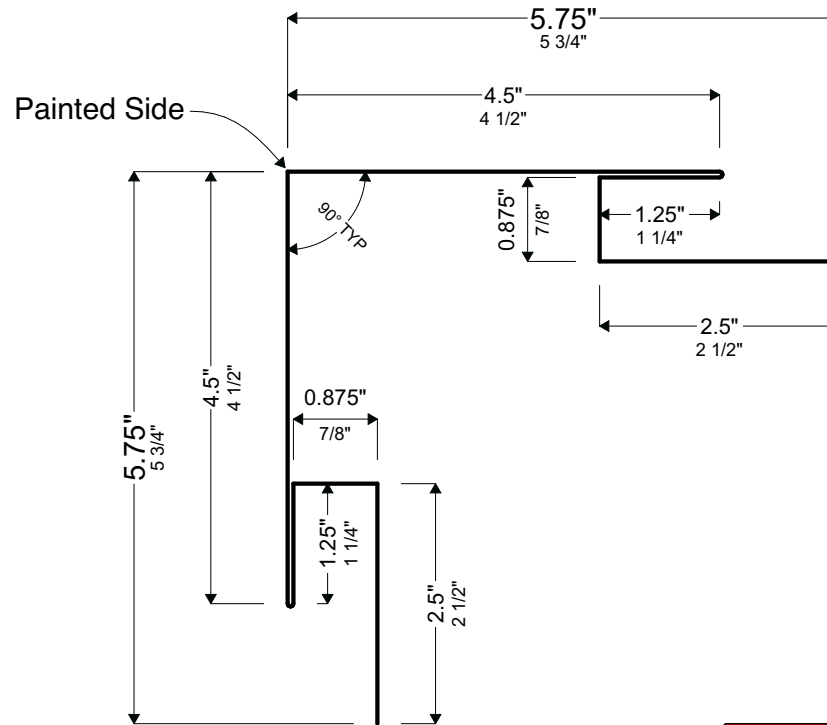
Product ID :	14D
Name :	ARCHITECTURAL CORNER
Description :	Corner Trim for Concealed Fastener



Metal Roofing, Siding, and Trim
 P: 208-565-3002
 www.ibexmetal.com
 info@ibexmetal.com
 282 Great Northern Road
 Bonners Ferry, ID 83805

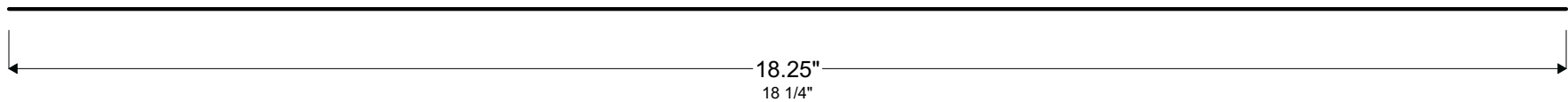
FRACTIONS ROUNDED TO NEAREST 1/16"
 REVISED: 7/18/23

29 | 26 | 24



ARCHITECTURAL SERIES

A1 Profile Section Detail
 Scale: 6" = 1'-0"



B1 Profile Flat Width Required
 Scale: 6" = 1'-0"

TRIM 14E PROPERTY OF IBEX NOT FOR REPRODUCTION WITHOUT PRIOR WRITTEN CONSENT OF IBEX METAL, LLC	TRIM 14E	
	<i>Product ID :</i>	14E
	<i>Name :</i>	TRIM FIRST OUTSIDE CORNER
<i>Description :</i>	Siding Outside Corner Trim (TRIM FIRST)	



Metal Roofing, Siding, and Trim

P: 208-565-3002
 www.ibexmetal.com
 info@ibexmetal.com

282 Great Northern Road
 Bonners Ferry, ID 83805

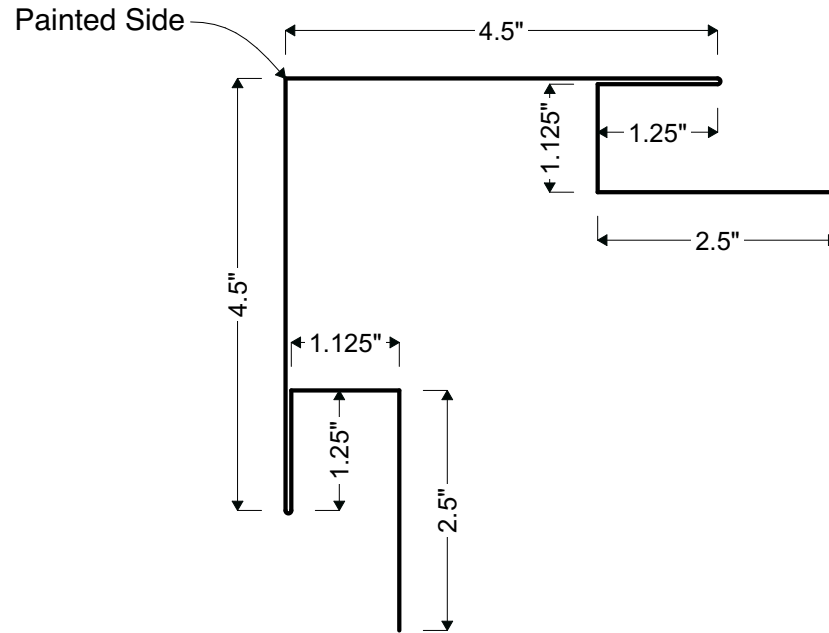
1

2

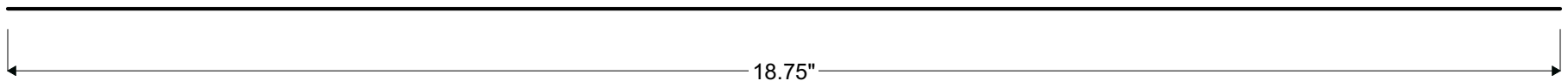
3

FRACTIONS ROUNDED TO NEAREST 1/16"
REVISED: *Work in Progress*

29 | 26 | 24



A1 Profile Section Detail
Scale: 6" = 1'-0"



B1 Profile Flat Width Required
Scale: 6" = 1'-0"

TRIM 14G

PROPERTY OF IBEX
NOT FOR REPRODUCTION WITHOUT PRIOR
WRITTEN CONSENT OF IBEX METAL, LLC

<i>Product ID :</i>	14G
<i>Name :</i>	1" TRIM FIRST OUTSIDE CORNER
<i>Description :</i>	1" Siding Outside Corner Trim (TRIM FIRST)



Metal Roofing, Siding, and Trim
 P: 208-565-3002
 www.ibexmetal.com
 info@ibexmetal.com
 282 Great Northern Road
 Bonners Ferry, ID 83805

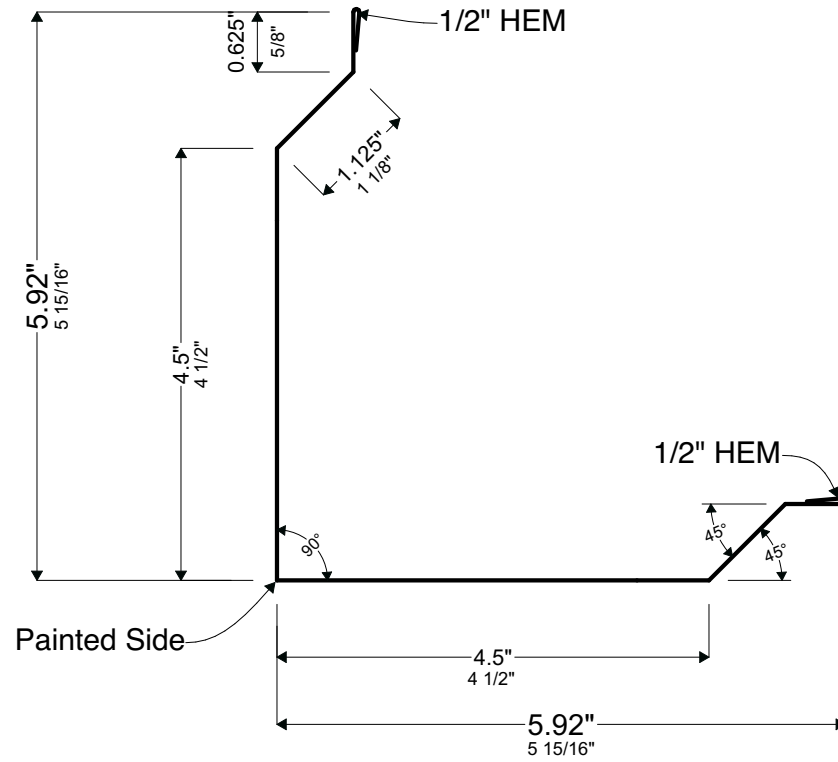
1

2

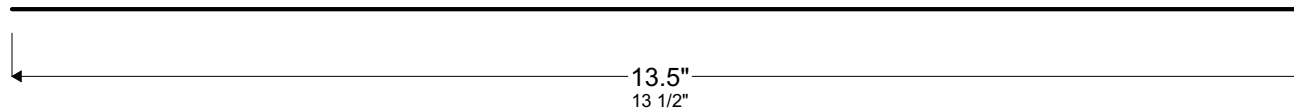
3

FRACTIONS ROUNDED TO NEAREST 1/16"
REVISED: 4/5/23

29 | 26 | 24 | 22



A1 Profile Section Detail
Scale: 6" = 1'-0"



B1 Profile Flat Width Required
Scale: 6" = 1'-0"

TRIM 14H PROPERTY OF IBEX NOT FOR REPRODUCTION WITHOUT PRIOR WRITTEN PERMISSION OF IBEX METAL, LLC	TRIM 14H

Product ID :	14H
Name :	OUTSIDE CORNER (HERITAGE)
Description :	Outside Corner Trim for Wall Panels (Heritage)



Metal Roofing, Siding, and Trim
 P: 208-565-3002
 www.ibexmetal.com
 info@ibexmetal.com
 282 Great Northern Road
 Bonners Ferry, ID 83805

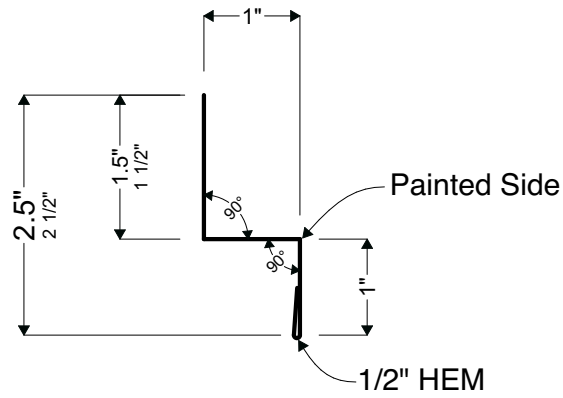
1

2

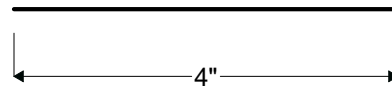
3

FRACTIONS ROUNDED TO NEAREST 1/16"
REVISED: 12/12/23

29 | 26 | 24 | 22



A1 Profile Section Detail
Scale: 6" = 1'-0"



B1 Profile Flat Width Required
Scale: 6" = 1'-0"

TRIM 15 PROPERTY OF IBEX NOT FOR REPRODUCTION WITHOUT PRIOR WRITTEN CONSENT OF IBEX METAL, LLC	TRIM 15

Product ID :	15
Name :	WALL LITE FLASHING
Description :	Used for Wainscote to Wall Panel Transition



Metal Roofing, Siding, and Trim
 P: 208-565-3002
 www.ibexmetal.com
 info@ibexmetal.com
 282 Great Northern Road
 Bonners Ferry, ID 83805

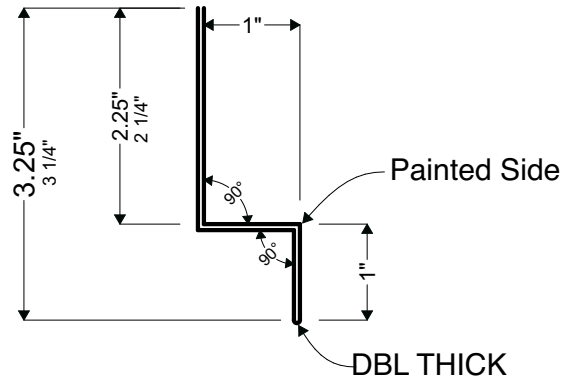
1

2

3

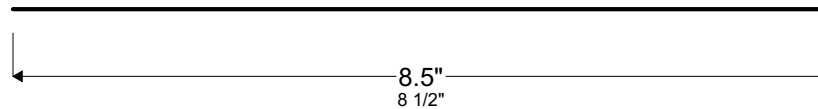
FRACTIONS ROUNDED TO NEAREST 1/16"
REVISED: 12/12/23

29 | 26



ARCHITECTURAL SERIES

A1 Profile Section Detail
Scale: 6" = 1'-0"



B1 Profile Flat Width Required
Scale: 6" = 1'-0"

TRIM 15B	TRIM 15B
	PROPERTY OF IBEX <small>NOT FOR REPRODUCTION WITHOUT PRIOR WRITTEN PERMISSION OF IBEX METAL, LLC</small>

<i>Product ID :</i>	15B
<i>Name :</i>	FULL WRAP WALL LITE
<i>Description :</i>	Used for Wainscote to Wall Panel Transition w/Paint inside



Metal Roofing, Siding, and Trim
 P: 208-565-3002
 www.ibexmetal.com
 info@ibexmetal.com
 282 Great Northern Road
 Bonners Ferry, ID 83805

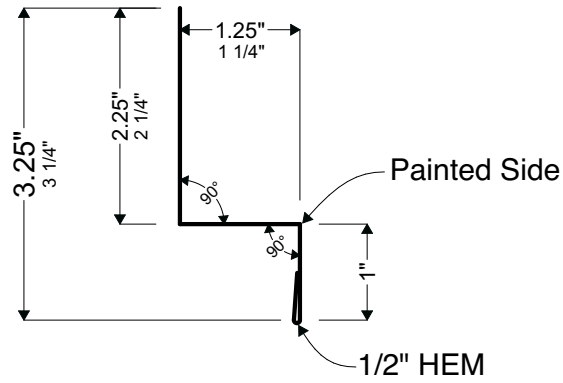
1

2

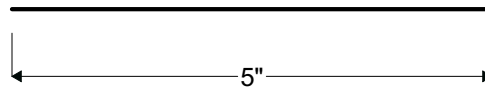
3

FRACTIONS ROUNDED TO NEAREST 1/16"
REVISED: 12/12/23

29 | 26 | 24 | 22



A1 Profile Section Detail
Scale: 6" = 1'-0"



B1 Profile Flat Width Required
Scale: 6" = 1'-0"

TRIM 15C PROPERTY OF IBEX NOT FOR REPRODUCTION WITHOUT PRIOR WRITTEN PERMISSION OF IBEX METAL, LLC	TRIM 15C

Product ID :	15C
Name :	1" WALL LITE
Description :	Used for 1" Wainscote to Wall Panel Transition



Metal Roofing, Siding, and Trim
 P: 208-565-3002
 www.ibexmetal.com
 info@ibexmetal.com
 282 Great Northern Road
 Bonners Ferry, ID 83805

TRIM 15C

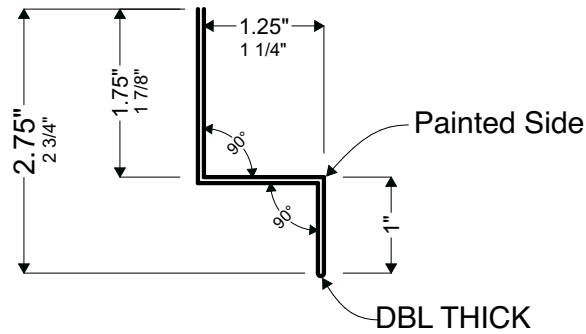
1

2

3

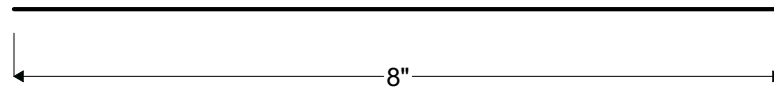
FRACTIONS ROUNDED TO NEAREST 1/16"
REVISED: 12/12/23

29 | 26



ARCHITECTURAL SERIES

A1 Profile Section Detail
Scale: 6" = 1'-0"



B1 Profile Flat Width Required
Scale: 6" = 1'-0"

TRIM 15D PROPERTY OF IBEX NOT FOR REPRODUCTION WITHOUT PRIOR WRITTEN PERMISSION OF IBEX METAL, LLC	TRIM 15D

<i>Product ID :</i>	15D
<i>Name :</i>	1" FULL WRAP WALL LITE
<i>Description :</i>	Used for 1" Wainscote to Wall Panel Transition w/Paint inside



Metal Roofing, Siding, and Trim
 P: 208-565-3002
 www.ibexmetal.com
 info@ibexmetal.com
 282 Great Northern Road
 Bonners Ferry, ID 83805

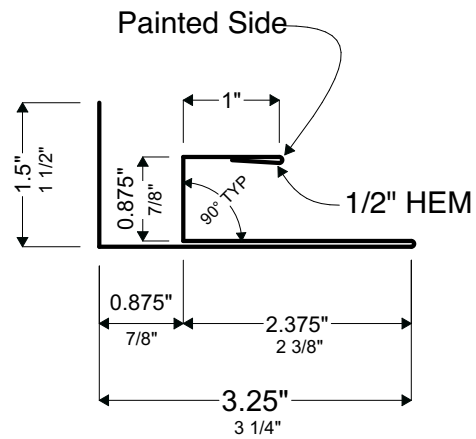
1

2

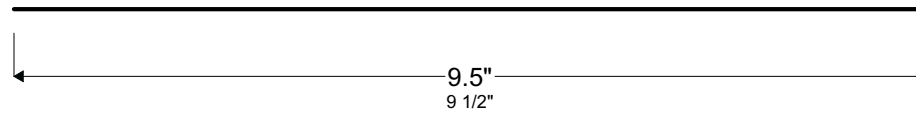
3

FRACTIONS ROUNDED TO NEAREST 1/16"
REVISED: 12/12/23

29 | 26 | 24 | 22



A	A1	Profile Section Detail Scale: 6" = 1'-0"	A
---	-----------	---	---



B	B1	Profile Flat Width Required Scale: 6" = 1'-0"	B
---	-----------	--	---

TRIM 16

PROPERTY OF IBEX
NOT FOR REPRODUCTION WITHOUT PRIOR
WRITTEN CONSENT OF IBEX METAL, LLC

TRIM 16

<i>Product ID :</i>	16
<i>Name :</i>	FJ TRIM
<i>Description :</i>	Standard FJ Trim



Metal Roofing, Siding, and Trim
P: 208-565-3002
www.ibexmetal.com
info@ibexmetal.com
282 Great Northern Road
Bonners Ferry, ID 83805

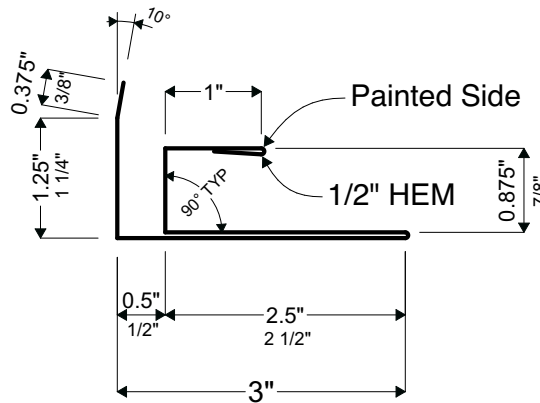
1

2

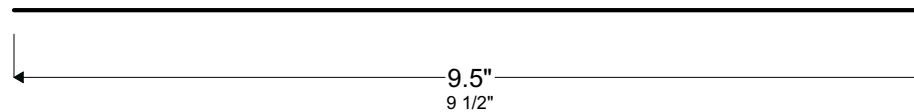
3

FRACTIONS ROUNDED TO NEAREST 1/16"
REVISED: 12/12/23

29 | 26 | 24 | 22



A1 Profile Section Detail
Scale: 6" = 1'-0"



B1 Profile Flat Width Required
Scale: 6" = 1'-0"

TRIM 16B

PROPERTY OF IBEX
NOT FOR REPRODUCTION WITHOUT PRIOR
WRITTEN CONSENT OF IBEX METAL, LLC

Product ID :	16B
Name :	MINI FJ TRIM
Description :	Smaller FJ Trim for Soffit



Metal Roofing, Siding, and Trim
 P: 208-565-3002
 www.ibexmetal.com
 info@ibexmetal.com
 282 Great Northern Road
 Bonners Ferry, ID 83805

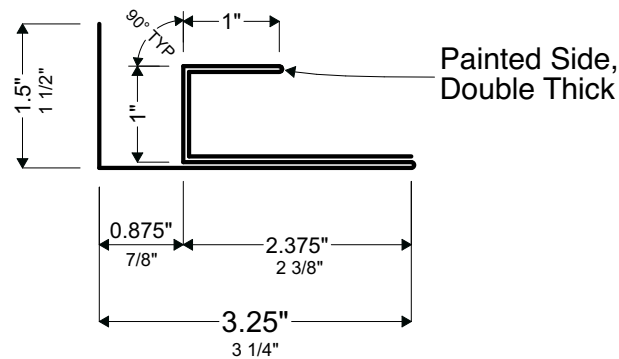
1

2

3

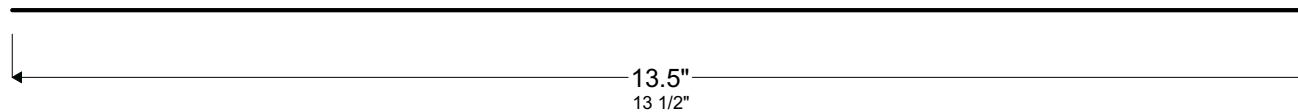
FRACTIONS ROUNDED TO NEAREST 1/16"
REVISED: 12/12/23

29 | 26



ARCHITECTURAL SERIES

A **A1** Profile Section Detail
Scale: 6" = 1'-0"



B **B1** Profile Flat Width Required
Scale: 6" = 1'-0"

PROPERTY OF IBEX
NOT FOR REPRODUCTION WITHOUT PRIOR
WRITTEN PERMISSION OF IBEX METAL, LLC

TRIM 16C

<i>Product ID :</i>	16C
<i>Name :</i>	FULL WRAP FJ TRIM
<i>Description :</i>	Standard FJ Trim w/Paint inside



Metal Roofing, Siding, and Trim
 P: 208-565-3002
 www.ibexmetal.com
 info@ibexmetal.com
 282 Great Northern Road
 Bonners Ferry, ID 83805

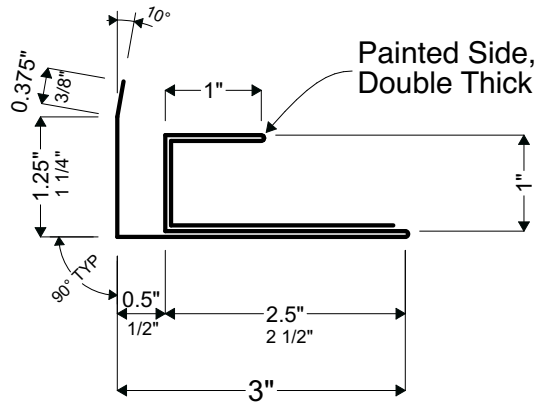
1

2

3

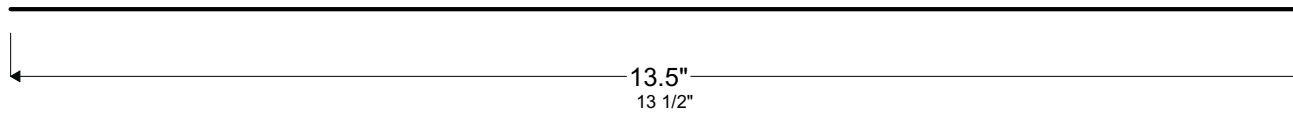
FRACTIONS ROUNDED TO NEAREST 1/16"
REVISED: 12/12/23

29 | 26



ARCHITECTURAL SERIES

A1 Profile Section Detail
Scale: 6" = 1'-0"



B1 Profile Flat Width Required
Scale: 6" = 1'-0"

TRIM 16D	TRIM 16D
	PROPERTY OF IBEX <small>NOT FOR REPRODUCTION WITHOUT PRIOR WRITTEN PERMISSION OF IBEX METAL, LLC</small>

<i>Product ID :</i>	16D
<i>Name :</i>	FULL WRAP MINI FJ TRIM
<i>Description :</i>	Smaller FJ Trim for Soffit w/Paint inside



Metal Roofing, Siding, and Trim
 P: 208-565-3002
 www.ibexmetal.com
 info@ibexmetal.com
 282 Great Northern Road
 Bonners Ferry, ID 83805

TRIM 16D

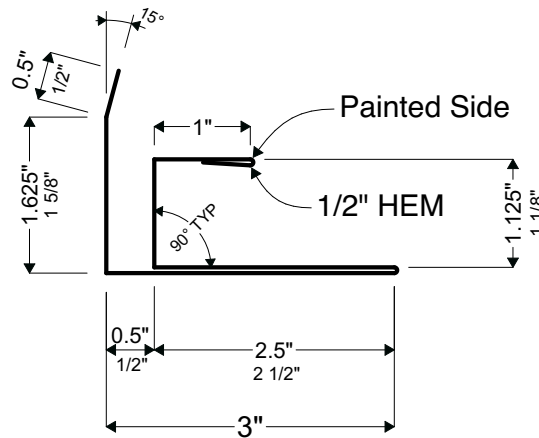
1

2

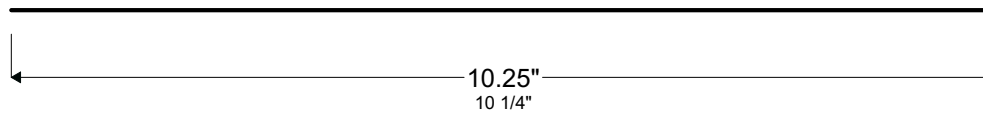
3

FRACTIONS ROUNDED TO NEAREST 1/16"
REVISED: 12/12/23

29 | 26 | 24 | 22



A1 Profile Section Detail
Scale: 6" = 1'-0"



B1 Profile Flat Width Required
Scale: 6" = 1'-0"

TRIM 16E PROPERTY OF IBEX NOT FOR REPRODUCTION WITHOUT PRIOR WRITTEN CONSENT OF IBEX METAL, LLC	TRIM 16E

Product ID :	16E
Name :	1" MINI FJ TRIM
Description :	1" FJ Trim for Soffit



Metal Roofing, Siding, and Trim
 P: 208-565-3002
 www.ibexmetal.com
 info@ibexmetal.com
 282 Great Northern Road
 Bonners Ferry, ID 83805

TRIM 16E

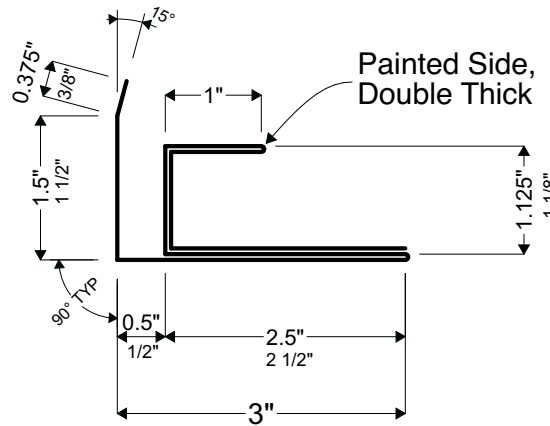
1

2

3

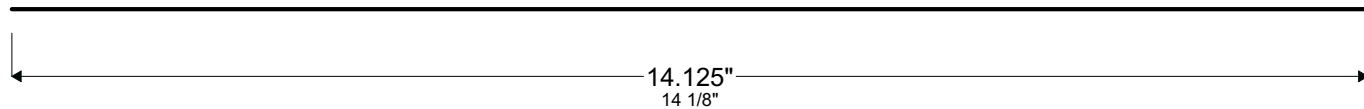
FRACTIONS ROUNDED TO NEAREST 1/16"
REVISED: 12/12/23

29 | 26



ARCHITECTURAL SERIES

A1 Profile Section Detail
Scale: 6" = 1'-0"



B1 Profile Flat Width Required
Scale: 6" = 1'-0"

TRIM 16F PROPERTY OF IBEX NOT FOR REPRODUCTION WITHOUT PRIOR WRITTEN PERMISSION OF IBEX METAL, LLC	TRIM 16F

Product ID :	16F
Name :	1" FULL WRAP MINI FJ TRIM
Description :	1" FJ Trim for Soffit w/Paint inside



Metal Roofing, Siding, and Trim
 P: 208-565-3002
 www.ibexmetal.com
 info@ibexmetal.com
 282 Great Northern Road
 Bonners Ferry, ID 83805

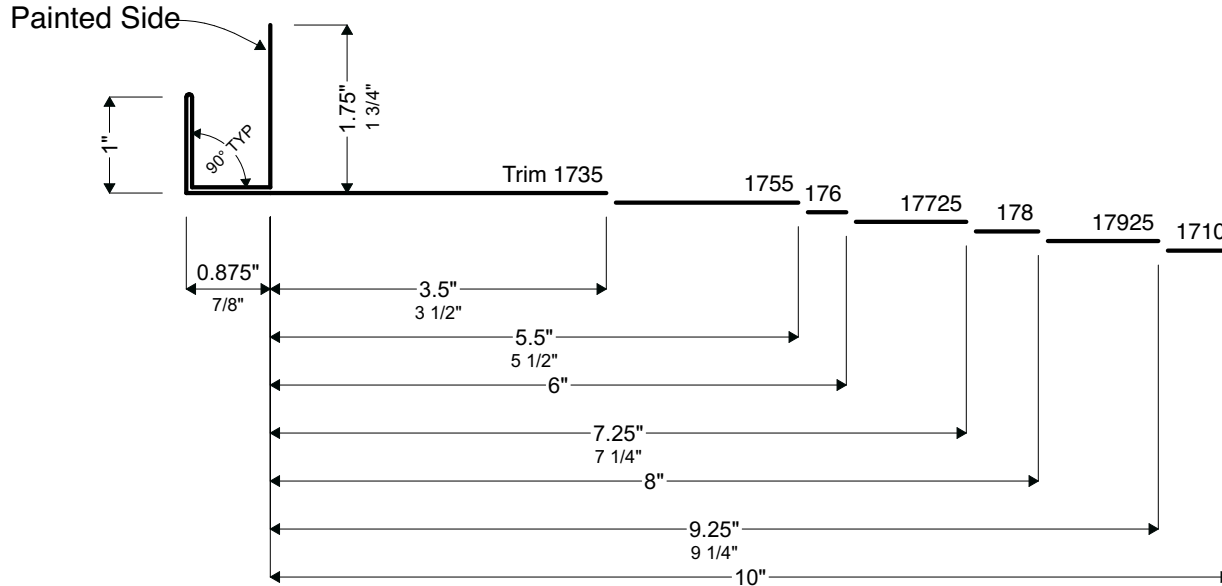
1

2

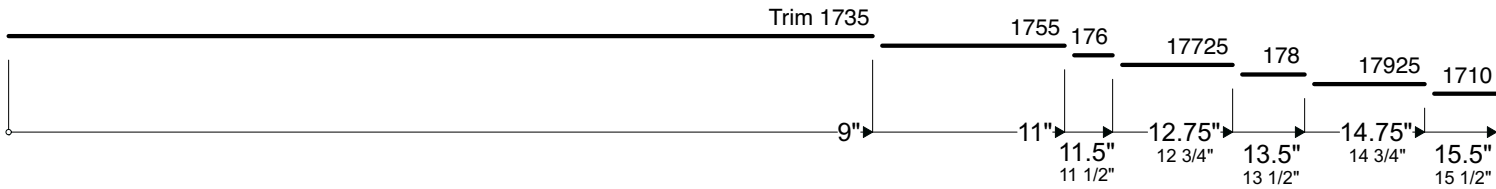
3

FRACTIONS ROUNDED TO NEAREST 1/16"
REVISED: 12/12/23

29 | 26 | 24 | 22



A1 Profile Section Detail
Scale: 6" = 1'-0"



B1 Profile Flat Width Required
Scale: 6" = 1'-0"

PROPERTY OF IBEX <small>NOT FOR REPRODUCTION WITHOUT PRIOR WRITTEN CONSENT OF IBEX METAL, LLC</small>	TRIM 17
	TRIM 17

Product ID :	1735 - 1710
Name :	POST FJ TRIM
Description :	Post Flashing Trim for Panel Attachment



Metal Roofing, Siding, and Trim

P: 208-565-3002
www.ibexmetal.com
info@ibexmetal.com

282 Great Northern Road
Bonners Ferry, ID 83805

TRIM 17

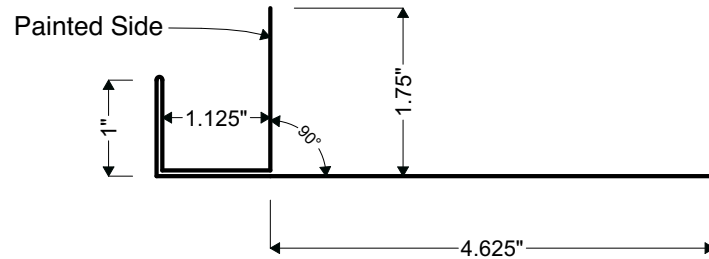
1

2

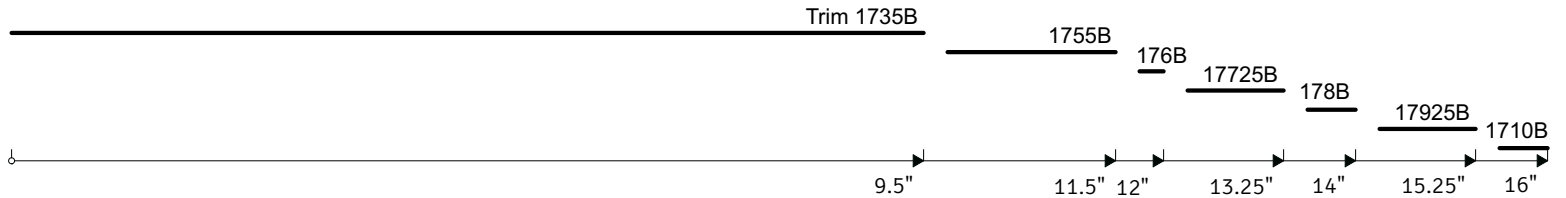
3

FRACTIONS ROUNDED TO NEAREST 1/16"
REVISED: *Work in Progress*

29 | 26 | 24 | 22



A1 Profile Section Detail
Scale: 6" = 1'-0"



B1 Profile Flat Width Required
Scale: 6" = 1'-0"

TRIM 17B PROPERTY OF IBEX NOT FOR REPRODUCTION WITHOUT PRIOR WRITTEN CONSENT OF IBEX METAL, LLC	TRIM 17B

<i>Product ID :</i>	1735B - 1710B
<i>Name :</i>	POST FJ TRIM
<i>Description :</i>	1" Post Flashing Trim for Panel Attachment



Metal Roofing, Siding, and Trim
 P: 208-565-3002
 www.ibexmetal.com
 info@ibexmetal.com
 282 Great Northern Road
 Bonners Ferry, ID 83805

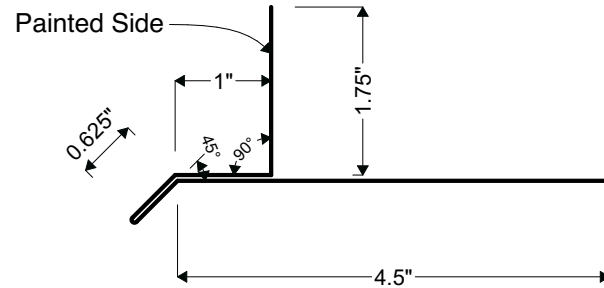
1

2

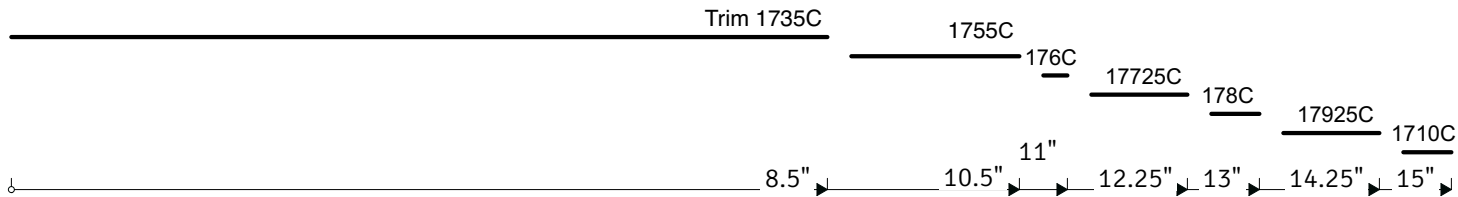
3

FRACTIONS ROUNDED TO NEAREST 1/16"
REVISED: *Work in Progress*

29 | 26 | 24 | 22



A1 Profile Section Detail
Scale: 6" = 1'-0"



B1 Profile Flat Width Required
Scale: 6" = 1'-0"

TRIM 17C PROPERTY OF IBEX NOT FOR REPRODUCTION WITHOUT PRIOR WRITTEN CONSENT OF IBEX METAL, LLC	TRIM 17C

<i>Product ID :</i>	1735C - 1710C
<i>Name :</i>	HEADER TRIM
<i>Description :</i>	Header Flashing Trim for Panel Attachment



Metal Roofing, Siding, and Trim
 P: 208-565-3002
 www.ibexmetal.com
 info@ibexmetal.com
 282 Great Northern Road
 Bonners Ferry, ID 83805

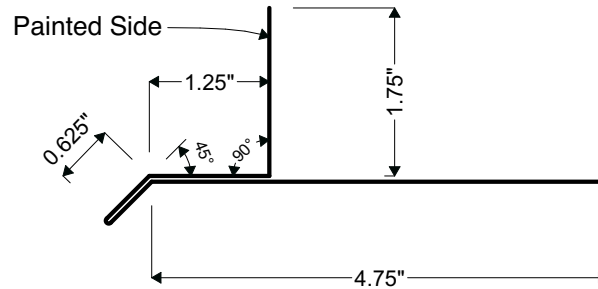
1

2

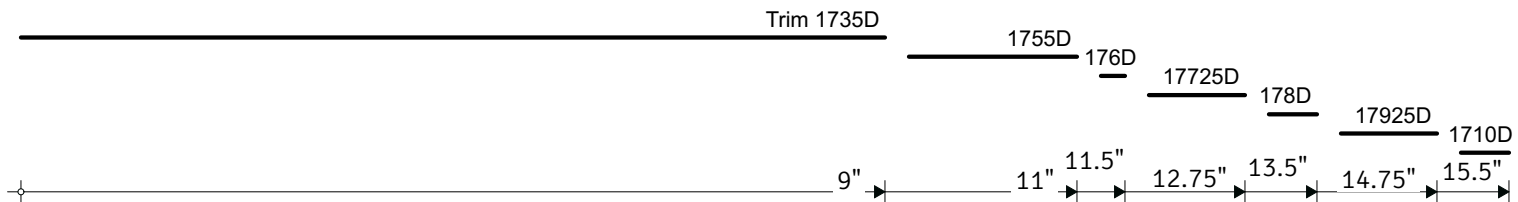
3

FRACTIONS ROUNDED TO NEAREST 1/16"
REVISED: *Work in Progress*

29 | 26 | 24 | 22



A1 Profile Section Detail
Scale: 6" = 1'-0"



B1 Profile Flat Width Required
Scale: 6" = 1'-0"

TRIM 17D PROPERTY OF IBEX NOT FOR REPRODUCTION WITHOUT PRIOR WRITTEN CONSENT OF IBEX METAL, LLC	TRIM 17D

<i>Product ID :</i>	1735D - 1710D
<i>Name :</i>	1" HEADER TRIM
<i>Description :</i>	1" Header Flashing Trim for Panel Attachment



Metal Roofing, Siding, and Trim
 P: 208-565-3002
 www.ibexmetal.com
 info@ibexmetal.com
 282 Great Northern Road
 Bonners Ferry, ID 83805

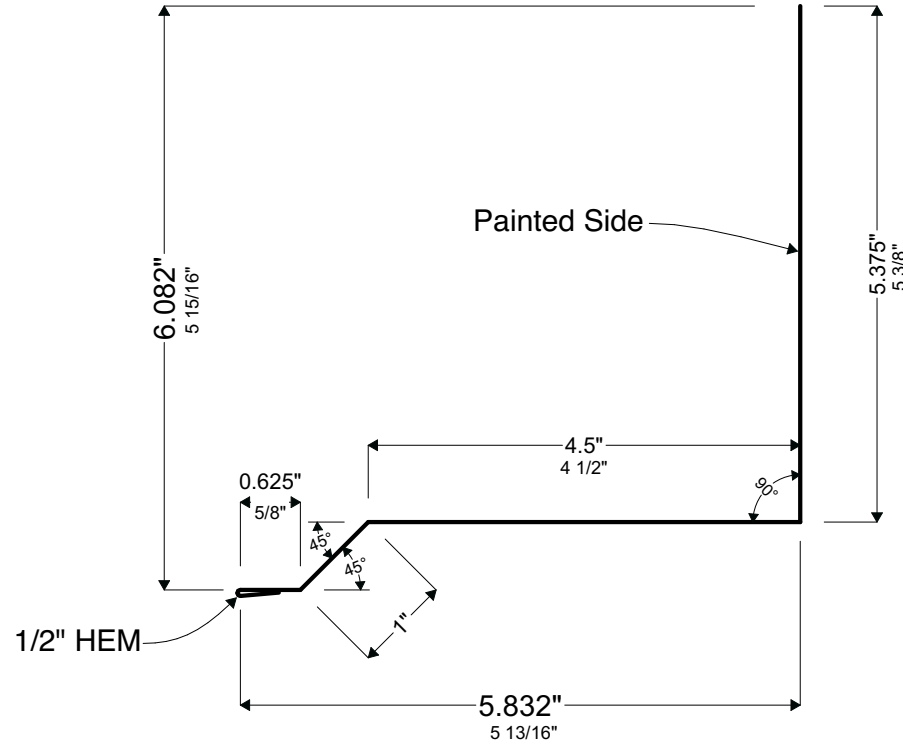
1

2

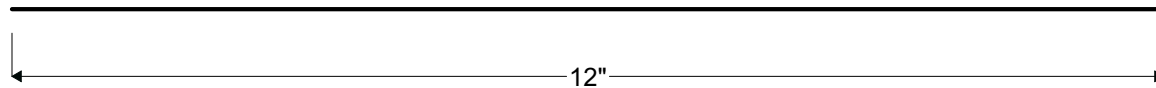
3

FRACTIONS ROUNDED TO NEAREST 1/16"
REVISED: 12/12/23

29 | 26 | 24 | 22



A1 Profile Section Detail
Scale: 6" = 1'-0"



B1 Profile Flat Width Required
Scale: 6" = 1'-0"

TRIM 18 PROPERTY OF IBEX NOT FOR REPRODUCTION WITHOUT PRIOR WRITTEN CONSENT OF IBEX METAL, LLC

Product ID :	18
Name :	ROOF TO WALL FLASHING
Description :	Roof to Wall Transition Flashing (Sidewall)



Metal Roofing, Siding, and Trim
 P: 208-565-3002
 www.ibexmetal.com
 info@ibexmetal.com
 282 Great Northern Road
 Bonners Ferry, ID 83805

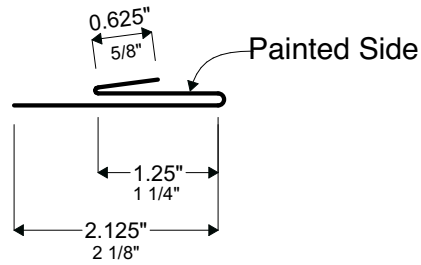
1

2

3

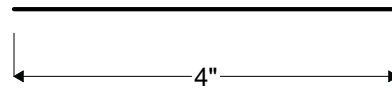
FRACTIONS ROUNDED TO NEAREST 1/16"
REVISED: 4/5/23

29 | 26 | 24



ARCHITECTURAL SERIES

A1 Profile Section Detail
Scale: 6" = 1'-0"



B1 Profile Flat Width Required
Scale: 6" = 1'-0"

TRIM 19

Product ID :	19
Name :	BOARD & BATT TRIM
Description :	Used as Concealed Fastener



Metal Roofing, Siding, and Trim
 P: 208-565-3002
 www.ibexmetal.com
 info@ibexmetal.com
 282 Great Northern Road
 Bonners Ferry, ID 83805

TRIM 19
 PROPERTY OF IBEX
 NOT FOR REPRODUCTION WITHOUT PRIOR
 WRITTEN CONSENT OF IBEX METAL, LLC

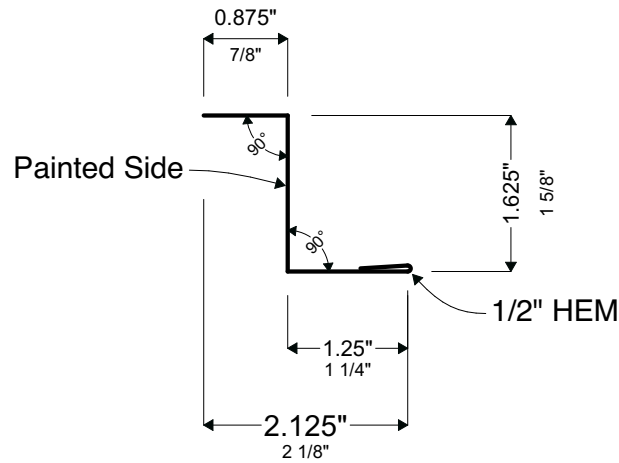
1

2

3

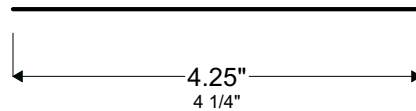
FRACTIONS ROUNDED TO NEAREST 1/16"
REVISED: 12/12/23

29 | 26 | 24 | 22



ARCHITECTURAL SERIES

A1 Profile Section Detail
Scale: 6" = 1'-0"



B1 Profile Flat Width Required
Scale: 6" = 1'-0"

TRIM 20

PROPERTY OF IBEX
NOT FOR REPRODUCTION WITHOUT PRIOR
WRITTEN PERMISSION OF IBEX METAL, LLC

TRIM 20

<i>Product ID :</i>	20
<i>Name :</i>	Z TRIM
<i>Description :</i>	Typically used with 1.5" Snaplock Panel Trim

IDAHO'S BEST EXTERIORS

Metal Roofing, Siding, and Trim
 P: 208-565-3002
 www.ibexmetal.com
 info@ibexmetal.com
 282 Great Northern Road
 Bonners Ferry, ID 83805

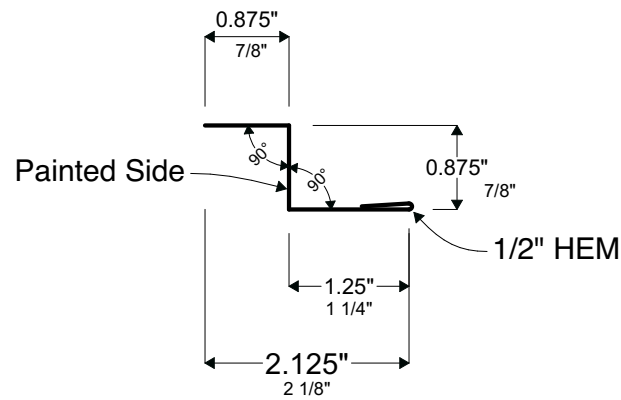
1

2

3

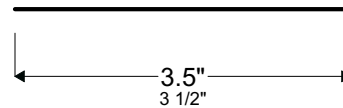
FRACTIONS ROUNDED TO NEAREST 1/16"
REVISED: 12/12/23

29 | 26 | 24 | 22



ARCHITECTURAL SERIES

A1 Profile Section Detail
Scale: 6" = 1'-0"



B1 Profile Flat Width Required
Scale: 6" = 1'-0"

TRIM 20B

PROPERTY OF IBEX
NOT FOR REPRODUCTION WITHOUT PRIOR
WRITTEN CONSENT OF IBEX METAL, LLC

TRIM 20B

<i>Product ID :</i>	20B
<i>Name :</i>	Z TRIM B
<i>Description :</i>	Typically used with Board & Batten Siding & 1" Snaplock Panel Trim



Metal Roofing, Siding, and Trim
 P: 208-565-3002
 www.ibexmetal.com
 info@ibexmetal.com
 282 Great Northern Road
 Bonners Ferry, ID 83805

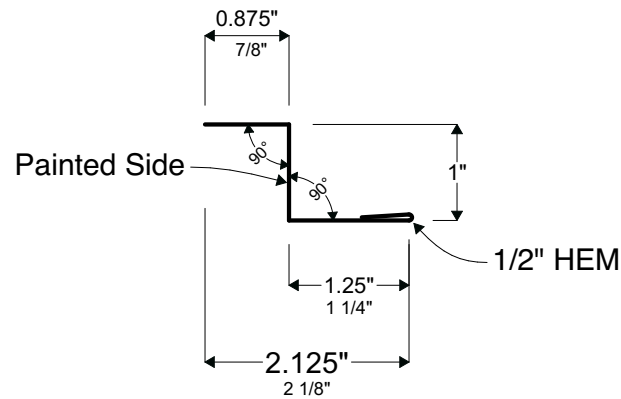
1

2

3

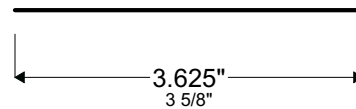
FRACTIONS ROUNDED TO NEAREST 1/16"
REVISED: 12/12/23

29 | 26 | 24 | 22



ARCHITECTURAL SERIES

A1 Profile Section Detail
Scale: 6" = 1'-0"



B1 Profile Flat Width Required
Scale: 6" = 1'-0"

TRIM 20C PROPERTY OF IBEX NOT FOR REPRODUCTION WITHOUT PRIOR WRITTEN CONSENT OF IBEX METAL, LLC	TRIM 20C
	TRIM 20C

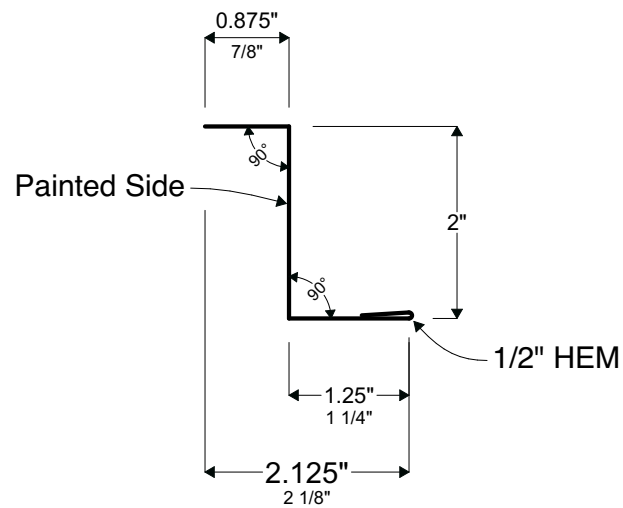
<i>Product ID :</i>	20C
<i>Name :</i>	Z TRIM C (HERITAGE)
<i>Description :</i>	Typically used with Snaplock Panel Trim



Metal Roofing, Siding, and Trim
 P: 208-565-3002
 www.ibexmetal.com
 info@ibexmetal.com
 282 Great Northern Road
 Bonners Ferry, ID 83805

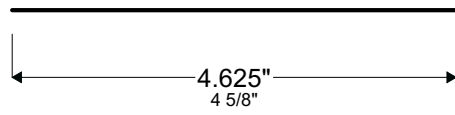
FRACTIONS ROUNDED TO NEAREST 1/16"
 REVISED: 12/12/23

26 | 24 | 22



ARCHITECTURAL SERIES

A1 Profile Section Detail
 Scale: 6" = 1'-0"



B1 Profile Flat Width Required
 Scale: 6" = 1'-0"

TRIM 20D
PROPERTY OF IBEX
 NOT FOR REPRODUCTION WITHOUT PRIOR
 WRITTEN CONSENT OF IBEX METAL, LLC
TRIM 20D

<i>Product ID :</i>	20D
<i>Name :</i>	Z TRIM D (2" STANDING SEAM)
<i>Description :</i>	Typically used with Standing Seam Trim



Metal Roofing, Siding, and Trim

P: 208-565-3002
 www.ibexmetal.com
 info@ibexmetal.com

282 Great Northern Road
 Bonners Ferry, ID 83805

IDAHO'S BEST EXTERIORS

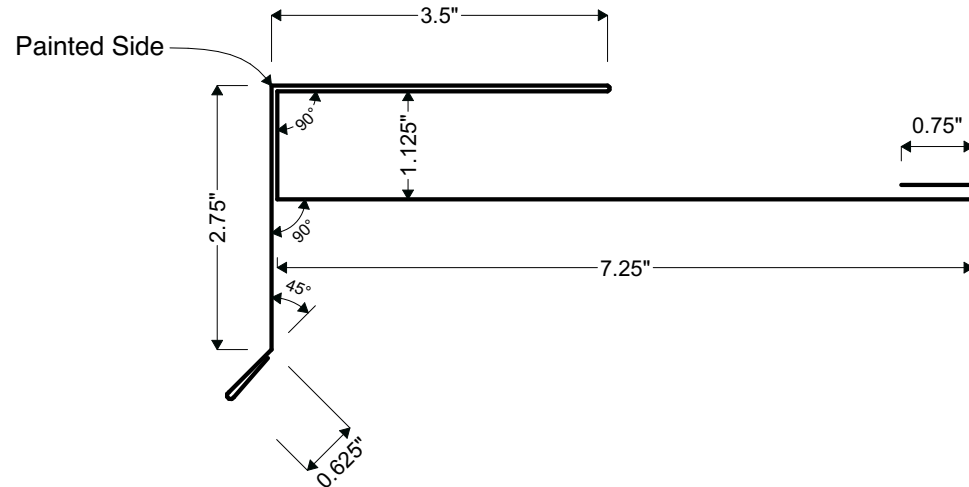
1

2

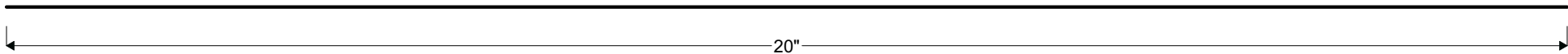
3

FRACTIONS ROUNDED TO NEAREST 1/16"
REVISED: *Work in Progress*

29 | 26 | 24



A1 Profile Section Detail
Scale: 6" = 1'-0"



B1 Profile Flat Width Required
Scale: 6" = 1'-0"

TRIM 21 NOT FOR REPRODUCTION WITHOUT PRIOR WRITTEN CONSENT OF IBEX METAL, LLC PROPERTY OF IBEX	TRIM 21
---	----------------

<i>Product ID :</i>	21
<i>Name :</i>	1" FIRST RAKE
<i>Description :</i>	Gable Trim for 1" Snaplock (Trim First)



Metal Roofing, Siding, and Trim
 P: 208-565-3002
 www.ibexmetal.com
 info@ibexmetal.com
 282 Great Northern Road
 Bonners Ferry, ID 83805

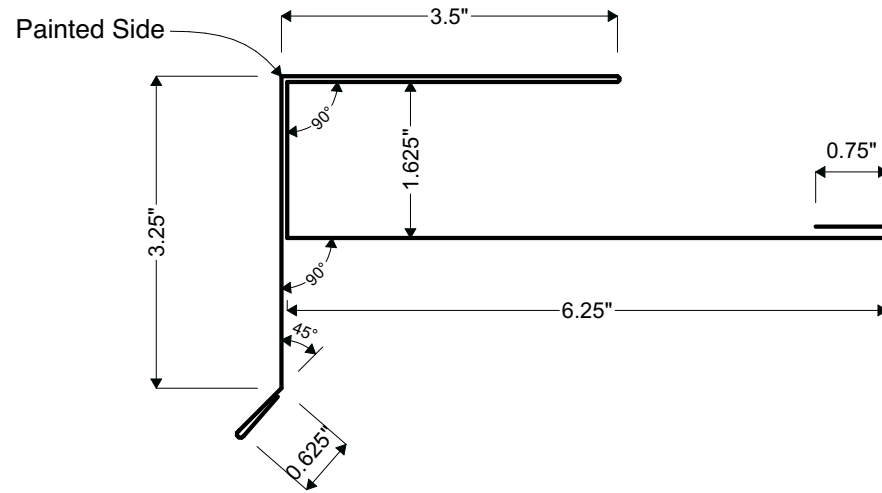
1

2

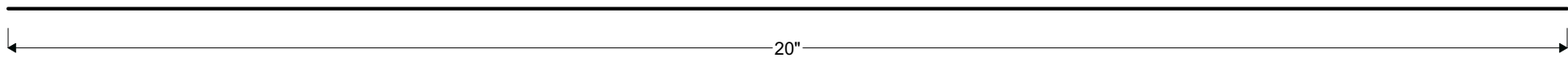
3

FRACTIONS ROUNDED TO NEAREST 1/16"
REVISED: *Work in Progress*

29 | 26 | 24



A	A1	Profile Section Detail Scale: 6" = 1'-0"	A
---	-----------	---	---



B	B1	Profile Flat Width Required Scale: 6" = 1'-0"	B
---	-----------	--	---

TRIM 21B

PROPERTY OF IBEX
NOT FOR REPRODUCTION WITHOUT PRIOR
WRITTEN CONSENT OF IBEX METAL, LLC

<i>Product ID :</i>	21B
<i>Name :</i>	1.5" TRIM FIRST RAKE
<i>Description :</i>	Gable Trim for 1.5" Standing Seam (Trim First)



Metal Roofing, Siding, and Trim
 P: 208-565-3002
 www.ibexmetal.com
 info@ibexmetal.com
 282 Great Northern Road
 Bonners Ferry, ID 83805

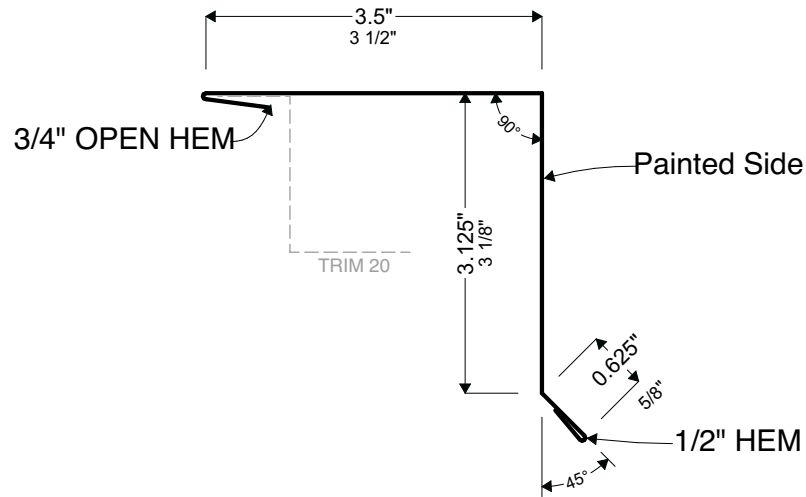
1

2

3

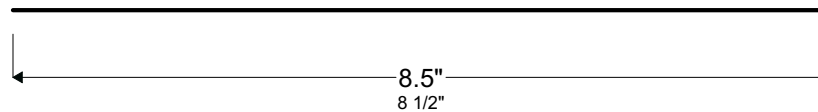
FRACTIONS ROUNDED TO NEAREST 1/16"
REVISED: 4/18/23

29 | 26 | 24 | 22



ARCHITECTURAL SERIES

A1 Profile Section Detail
Scale: 6" = 1'-0"



B1 Profile Flat Width Required
Scale: 6" = 1'-0"

TRIM 22

PROPERTY OF IBEX
NOT FOR REPRODUCTION WITHOUT PRIOR
WRITTEN CONSENT OF IBEX METAL, LLC

TRIM 22

Product ID :	22
Name :	1.5" ARCH'L RAKE/GABLE
Description :	Roof Rake/Gable Trim for 1 1/2" Concealed Fastener Panel



Metal Roofing, Siding, and Trim
 P: 208-565-3002
 www.ibexmetal.com
 info@ibexmetal.com
 282 Great Northern Road
 Bonners Ferry, ID 83805

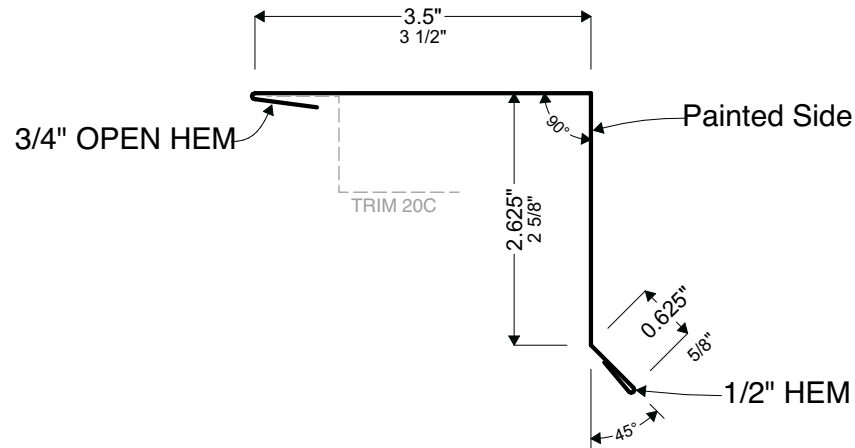
1

2

3

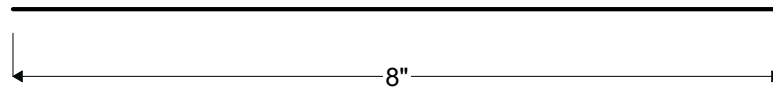
FRACTIONS ROUNDED TO NEAREST 1/16"
REVISED: 4/18/23

29 | 26 | 24 | 22



ARCHITECTURAL SERIES

A1 Profile Section Detail
Scale: 6" = 1'-0"



B1 Profile Flat Width Required
Scale: 6" = 1'-0"

TRIM 22C PROPERTY OF IBEX NOT FOR REPRODUCTION WITHOUT PRIOR WRITTEN CONSENT OF IBEX METAL, LLC	TRIM 22C

Product ID :	22C
Name :	1" ARCH'L RAKE/GABLE
Description :	Roof Rake/Gable Trim for 1" Concealed Fastener Panel



Metal Roofing, Siding, and Trim
 P: 208-565-3002
 www.ibexmetal.com
 info@ibexmetal.com
 282 Great Northern Road
 Bonners Ferry, ID 83805

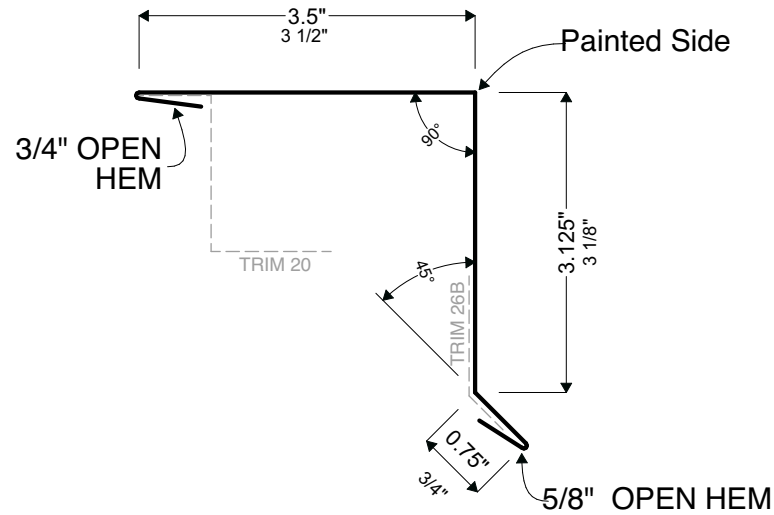
1

2

3

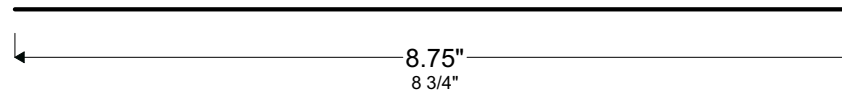
FRACTIONS ROUNDED TO NEAREST 1/16"
REVISED: 12/15/23

29 | 26 | 24 | 22



ARCHITECTURAL SERIES

A1 Profile Section Detail
Scale: 6" = 1'-0"



B1 Profile Flat Width Required
Scale: 6" = 1'-0"

TRIM 22D PROPERTY OF IBEX NOT FOR REPRODUCTION WITHOUT PRIOR WRITTEN PERMISSION OF IBEX METAL, LLC	TRIM 22D

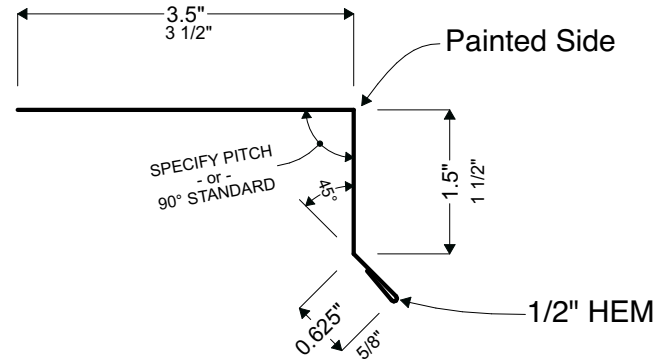
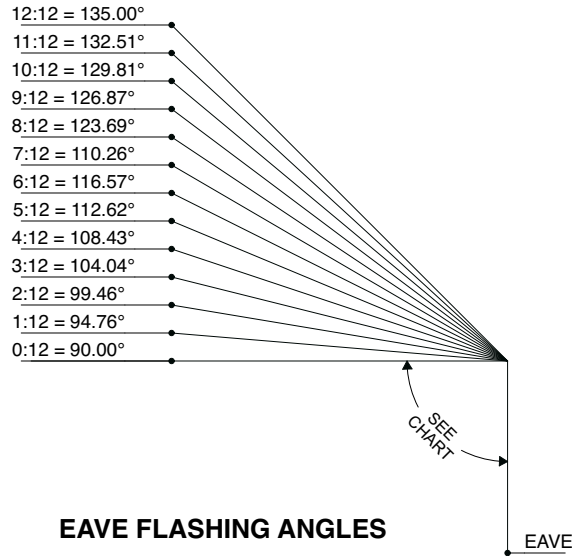
Product ID :	22D
Name :	1.5" ARCH'L RAKE/GABLE (3PC)
Description :	3-Piece Fully Concealed Fastener Rake



Metal Roofing, Siding, and Trim
 P: 208-565-3002
 www.ibexmetal.com
 info@ibexmetal.com
 282 Great Northern Road
 Bonners Ferry, ID 83805

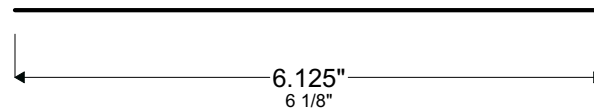
FRACTIONS ROUNDED TO NEAREST 1/16"
 REVISED: 4/5/23

29 | 26 | 24 | 22



ARCHITECTURAL SERIES

A1 Profile Section Detail
 Scale: 6" = 1'-0"



B1 Profile Flat Width Required
 Scale: 6" = 1'-0"

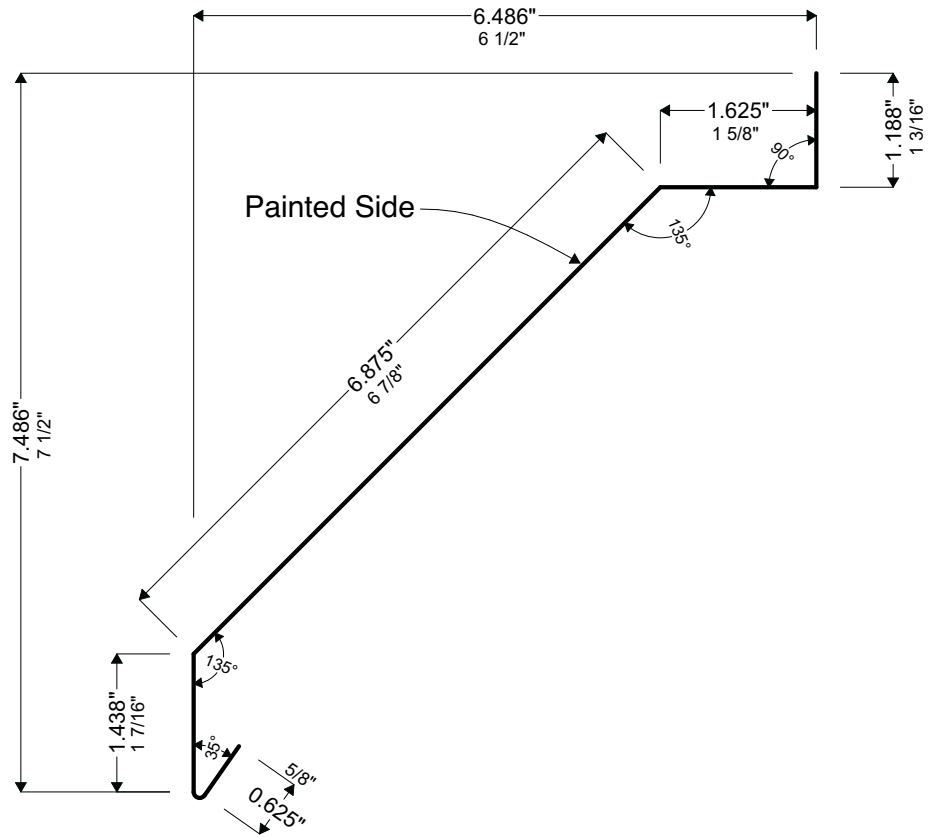
TRIM 23 PROPERTY OF IBEX NOT FOR REPRODUCTION WITHOUT PRIOR WRITTEN PERMISSION OF IBEX METAL, LLC	TRIM 23

Product ID :	23
Name :	CONCEALED EAVE TRIM
Description :	Architectural Eave Trim (Specify Angle)



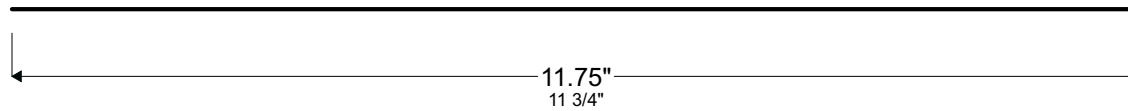
Metal Roofing, Siding, and Trim
 P: 208-565-3002
 www.ibexmetal.com
 info@ibexmetal.com
 282 Great Northern Road
 Bonners Ferry, ID 83805

FRACTIONS ROUNDED TO NEAREST 1/16"
 REVISED: 4/5/23



29 | 26 | 24 | 22

A1 Profile Section Detail
 Scale: 6" = 1'-0"



B1 Profile Flat Width Required
 Scale: 6" = 1'-0"

TRIM 24

PROPERTY OF IBEX
 NOT FOR REPRODUCTION WITHOUT PRIOR
 WRITTEN CONSENT OF IBEX METAL, LLC

Product ID :	24
Name :	TRACK COVER
Description :	Cannonball track cover



Metal Roofing, Siding, and Trim
 P: 208-565-3002
 www.ibexmetal.com
 info@ibexmetal.com
 282 Great Northern Road
 Bonners Ferry, ID 83805

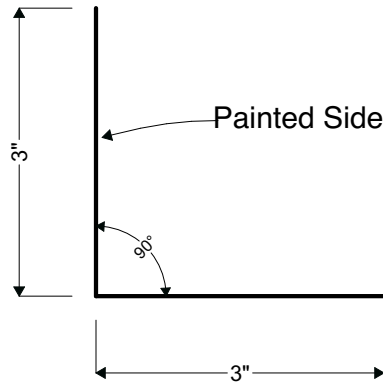
1

2

3

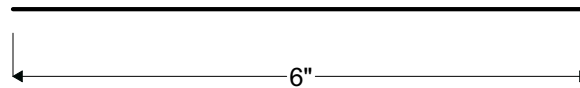
FRACTIONS ROUNDED TO NEAREST 1/16"
REVISED: 4/5/23

29 | 26 | 24 | 22



A **A1** Profile Section Detail
Scale: 6" = 1'-0"

A



B **B1** Profile Flat Width Required
Scale: 6" = 1'-0"

B

TRIM 25

PROPERTY OF IBEX
NOT FOR REPRODUCTION WITHOUT PRIOR
WRITTEN CONSENT OF IBEX METAL, LLC

<i>Product ID :</i>	25
<i>Name :</i>	UNIVERSAL FLASHING
<i>Description :</i>	For Whatever You Need



Metal Roofing, Siding, and Trim
 P: 208-565-3002
 www.ibexmetal.com
 info@ibexmetal.com
 282 Great Northern Road
 Bonners Ferry, ID 83805

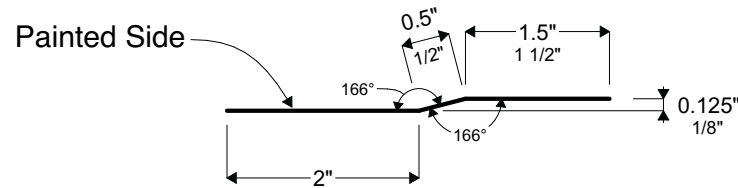
1

2

3

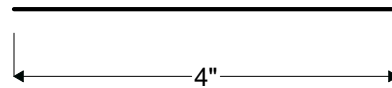
FRACTIONS ROUNDED TO NEAREST 1/16"
REVISED: 4/5/23

29 | 26 | 24 | 22



ARCHITECTURAL SERIES

A **A1** Profile Section Detail
Scale: 6" = 1'-0"



B **B1** Profile Flat Width Required
Scale: 6" = 1'-0"

TRIM 26

Product ID :	26
Name :	OFFSET CLEAT
Description :	Used with Concealed Fastener



Metal Roofing, Siding, and Trim
 P: 208-565-3002
 www.ibexmetal.com
 info@ibexmetal.com
 282 Great Northern Road
 Bonners Ferry, ID 83805

TRIM 26
 PROPERTY OF IBEX
 NOT FOR REPRODUCTION WITHOUT PRIOR
 WRITTEN CONSENT OF IBEX METAL, LLC

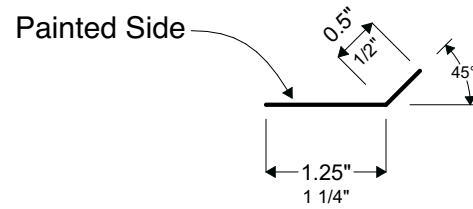
1

2

3

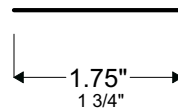
FRACTIONS ROUNDED TO NEAREST 1/16"
REVISED: 12/12/23

29 | 26 | 24 | 22



ARCHITECTURAL SERIES

A1 Profile Section Detail
Scale: 6" = 1'-0"



B1 Profile Flat Width Required
Scale: 6" = 1'-0"

TRIM 26B

PROPERTY OF IBEX
NOT FOR REPRODUCTION WITHOUT PRIOR
WRITTEN CONSENT OF IBEX METAL, LLC

TRIM 26B

<i>Product ID :</i>	26B
<i>Name :</i>	CLEAT
<i>Description :</i>	Used with Concealed Fastener



Metal Roofing, Siding, and Trim
 P: 208-565-3002
 www.ibexmetal.com
 info@ibexmetal.com
 282 Great Northern Road
 Bonners Ferry, ID 83805

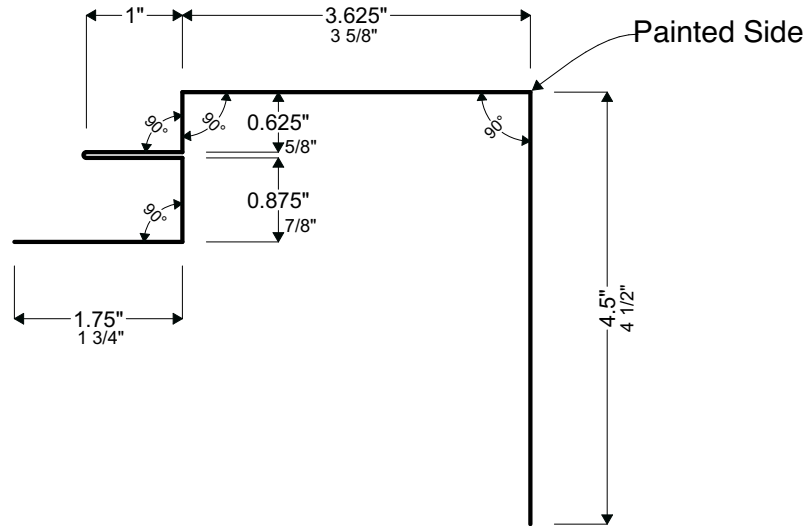
1

2

3

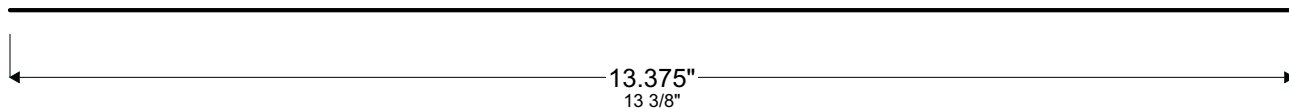
FRACTIONS ROUNDED TO NEAREST 1/16"
REVISED: 4/5/23

29 | 26 | 24



ARCHITECTURAL SERIES

A1 Profile Section Detail
Scale: 6" = 1'-0"



B1 Profile Flat Width Required
Scale: 6" = 1'-0"

TRIM 27 PROPERTY OF IBEX NOT FOR REPRODUCTION WITHOUT PRIOR WRITTEN CONSENT OF IBEX METAL, LLC	TRIM 27

Product ID :	27
Name :	ARCHITECTURAL POST & DOOR TRIM
Description :	For Trimming around Doors & Windows



Metal Roofing, Siding, and Trim
 P: 208-565-3002
 www.ibexmetal.com
 info@ibexmetal.com
 282 Great Northern Road
 Bonners Ferry, ID 83805

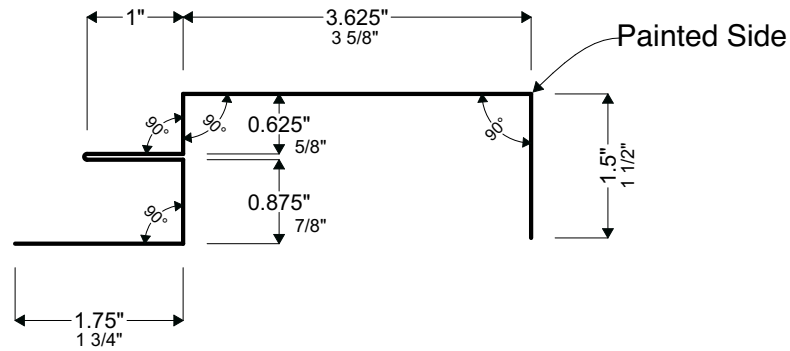
1

2

3

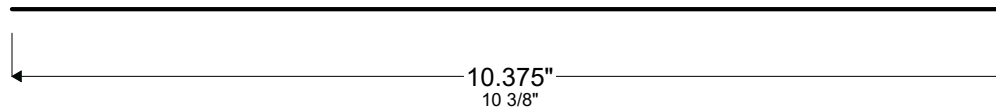
FRACTIONS ROUNDED TO NEAREST 1/16"
REVISED: 4/5/23

29 | 26 | 24



ARCHITECTURAL SERIES

A1 Profile Section Detail
Scale: 6" = 1'-0"



B1 Profile Flat Width Required
Scale: 6" = 1'-0"

TRIM 28

PROPERTY OF IBEX
NOT FOR REPRODUCTION WITHOUT PRIOR WRITTEN CONSENT OF IBEX METAL, LLC

TRIM 28

<i>Product ID :</i>	28
<i>Name :</i>	ARCHITECTURAL TRIM
<i>Description :</i>	For Trimming around Doors & Windows



Metal Roofing, Siding, and Trim
 P: 208-565-3002
 www.ibexmetal.com
 info@ibexmetal.com
 282 Great Northern Road
 Bonners Ferry, ID 83805

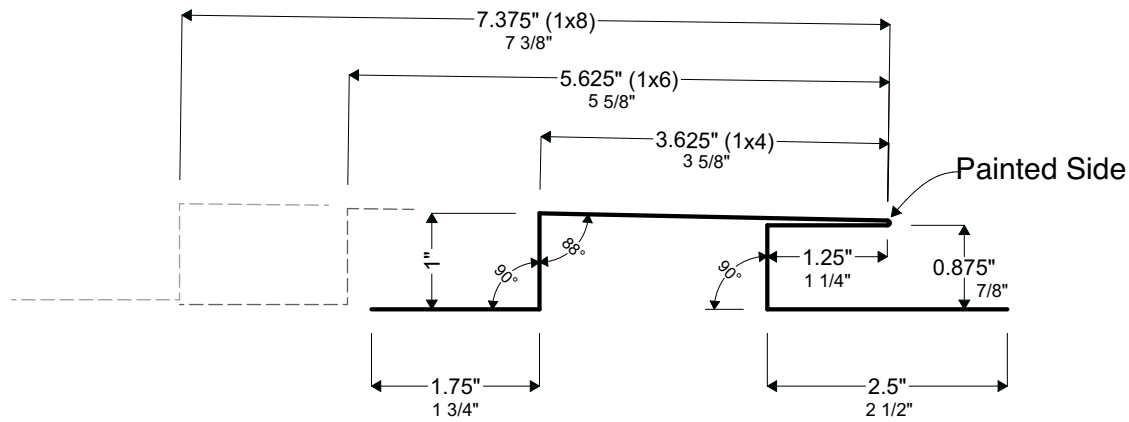
1

2

3

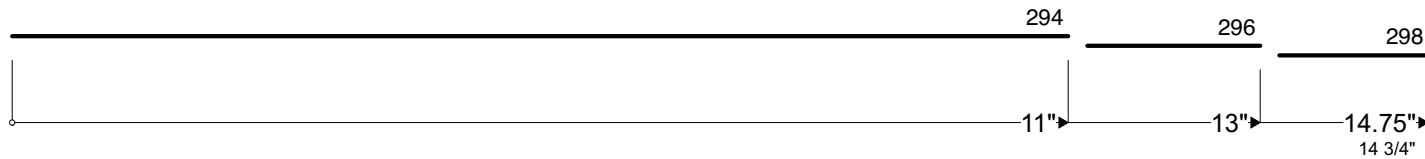
FRACTIONS ROUNDED TO NEAREST 1/16"
REVISED: 12/12/23

29 | 26 | 24 | 22



ARCHITECTURAL SERIES

A1 Profile Section Detail
Scale: 6" = 1'-0"



B1 Profile Flat Width Required
Scale: 6" = 1'-0"

PROPERTY OF IBEX NOT FOR REPRODUCTION WITHOUT PRIOR WRITTEN CONSENT OF IBEX METAL, LLC	TRIM 29
---	----------------

<i>Product ID :</i>	293625, 295625, 297375
<i>Name :</i>	BOARD BAND
<i>Description :</i>	Larger Trim Band for Wainscoting



Metal Roofing, Siding, and Trim
 P: 208-565-3002
 www.ibexmetal.com
 info@ibexmetal.com
 282 Great Northern Road
 Bonners Ferry, ID 83805

TRIM 29

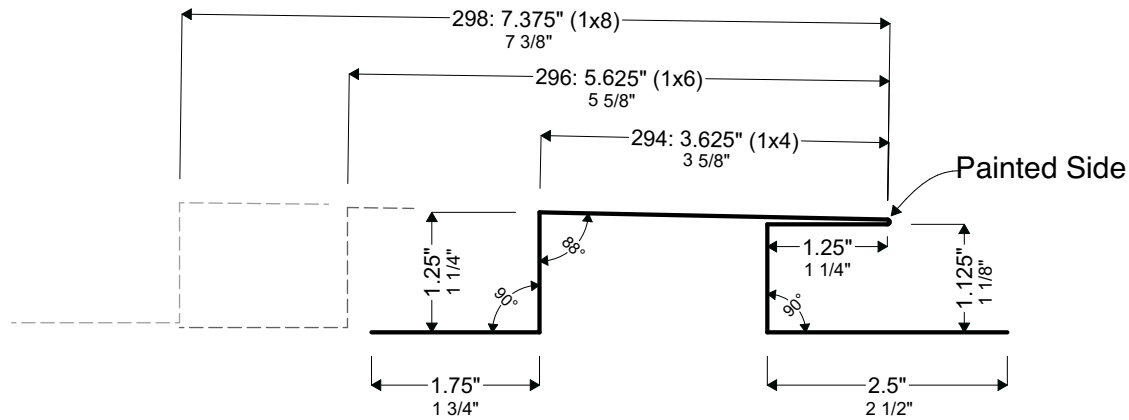
1

2

3

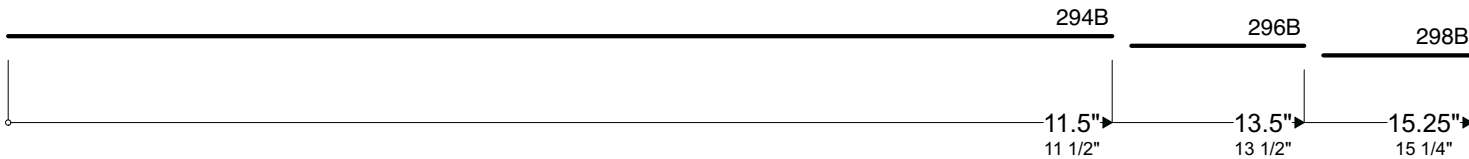
FRACTIONS ROUNDED TO NEAREST 1/16"
 REVISED: 12/12/23

29 | 26 | 24 | 22



ARCHITECTURAL SERIES

A1 Profile Section Detail
 Scale: 6" = 1'-0"



B1 Profile Flat Width Required
 Scale: 6" = 1'-0"

TRIM 29B

Product ID : 293625B, 295625B, 297375B

Name : **1" BOARD BAND**

Description : Larger Trim Band for Wainscoting



Metal Roofing, Siding, and Trim

P: 208-565-3002
 www.ibexmetal.com
 info@ibexmetal.com

282 Great Northern Road
 Bonners Ferry, ID 83805

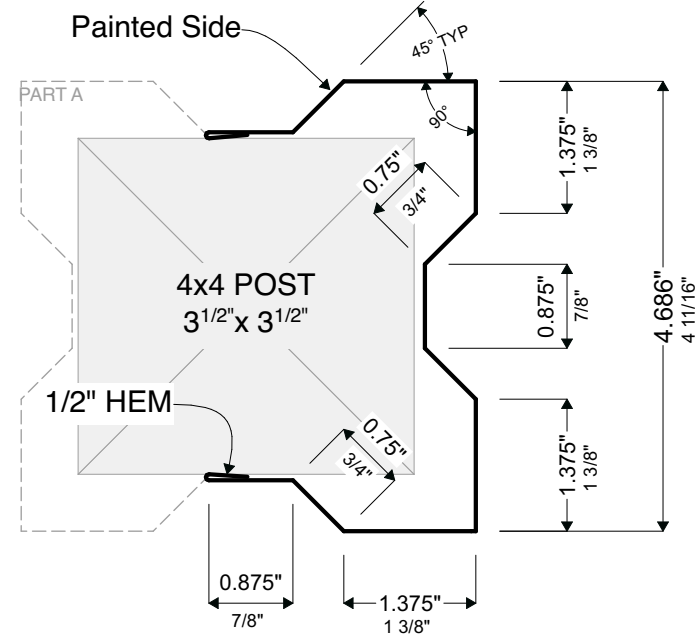
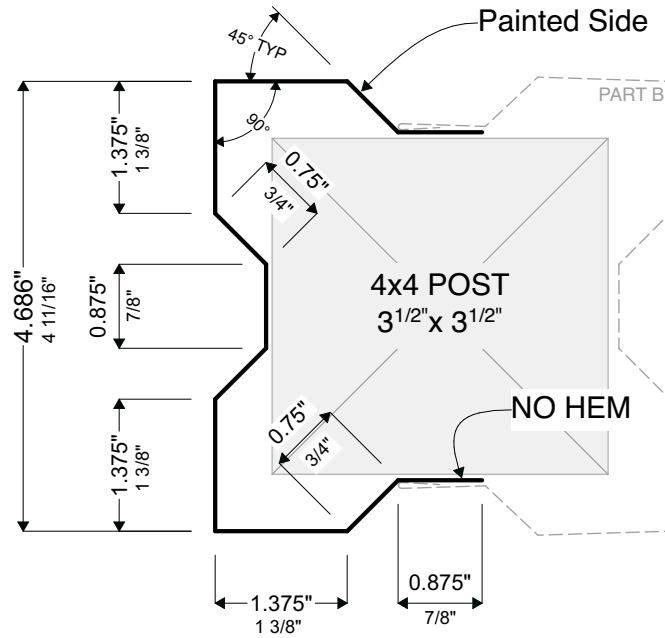
TRIM 29B

PROPERTY OF IBEX
 NOT FOR REPRODUCTION WITHOUT PRIOR
 WRITTEN CONSENT OF IBEX METAL, LLC

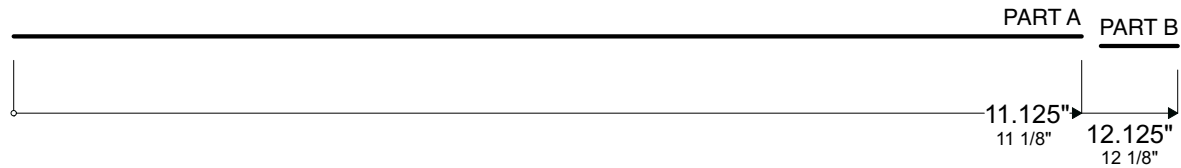
FRACTIONS ROUNDED TO NEAREST 1/16"
 REVISED: 12/12/23

PART A PART B

29 | 26 | 24 | 22



A1 Profile Section Detail
 Scale: 6" = 1'-0"



B1 Profile Flat Width Required
 Scale: 6" = 1'-0"

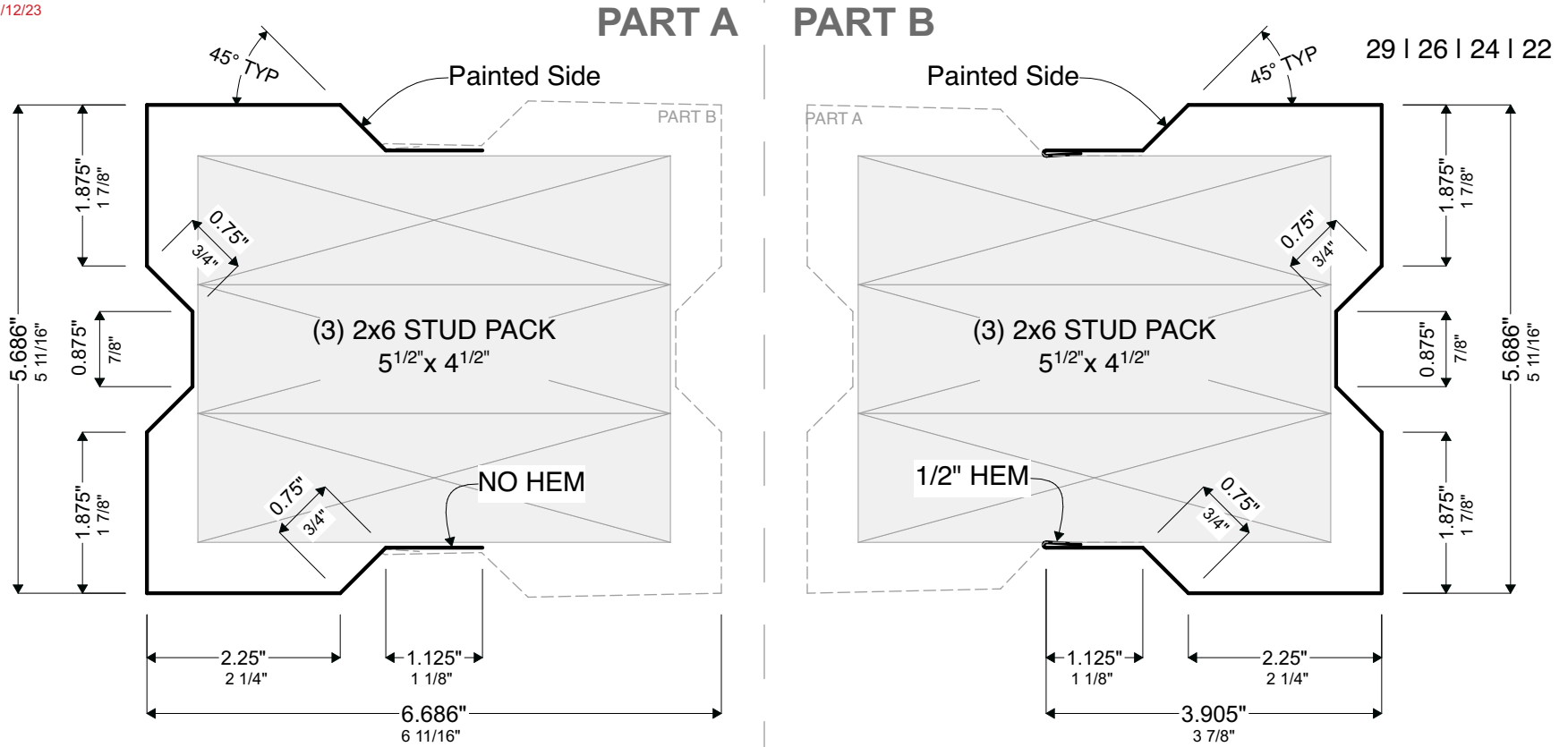
TRIM 304 PROPERTY OF IBEX NOT FOR REPRODUCTION WITHOUT PRIOR WRITTEN PERMISSION OF IBEX METAL, LLC	TRIM 304

Product ID :	304A, 304B
Name :	4x4 POST WRAP
Description :	2-Piece full post wrap for 4x4

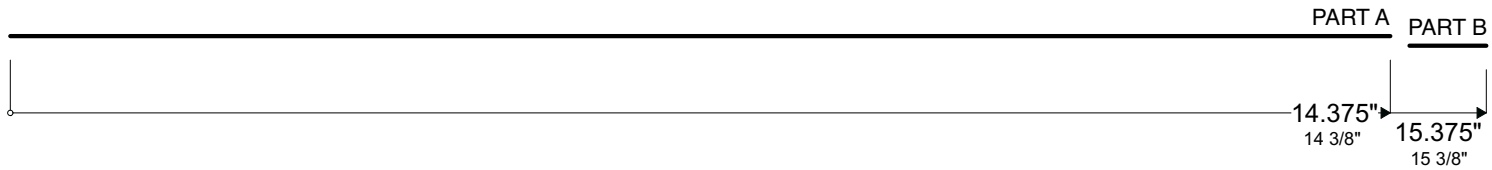


Metal Roofing, Siding, and Trim
 P: 208-565-3002
 www.ibexmetal.com
 info@ibexmetal.com
 282 Great Northern Road
 Bonners Ferry, ID 83805

FRACTIONS ROUNDED TO NEAREST 1/16"
 REVISED: 12/12/23



A1 Profile Section Detail
 Scale: 6" = 1'-0"



B1 Profile Flat Width Required
 Scale: 6" = 1'-0"

TRIM 305

PROPERTY OF IBEX
 NOT FOR REPRODUCTION WITHOUT PRIOR
 WRITTEN CONSENT OF IBEX METAL, LLC

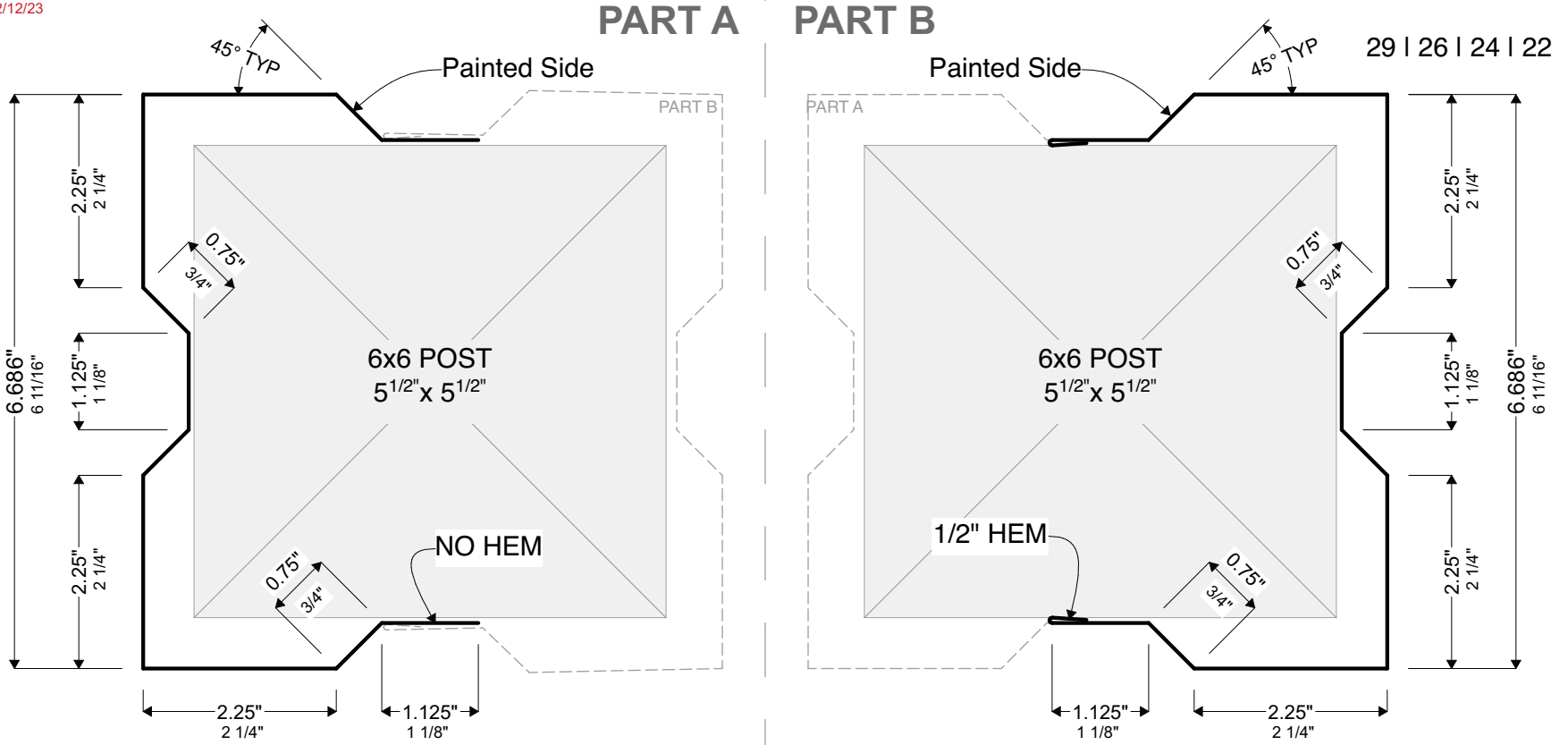
TRIM 305

Product ID :	305A, 305B
Name :	(3) 2x6 STUD POST WRAP
Description :	2-Piece full post wrap for triple 2x6

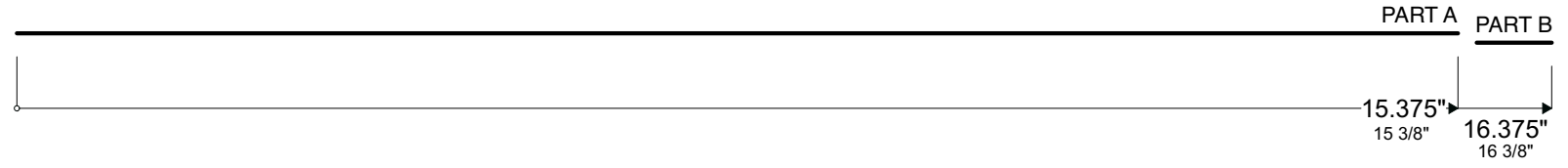


Metal Roofing, Siding, and Trim
 P: 208-565-3002
 www.ibexmetal.com
 info@ibexmetal.com
 282 Great Northern Road
 Bonners Ferry, ID 83805

FRACTIONS ROUNDED TO NEAREST 1/16"
 REVISED: 12/12/23



A1 Profile Section Detail
 Scale: 6" = 1'-0"



B1 Profile Flat Width Required
 Scale: 6" = 1'-0"

TRIM 306
PROPERTY OF IBEX
 NOT FOR REPRODUCTION WITHOUT PRIOR
 WRITTEN PERMISSION OF IBEX METAL, LLC

Product ID :	306A, 306B
Name :	6x6 POST WRAP
Description :	2-Piece full post wrap for 6x6



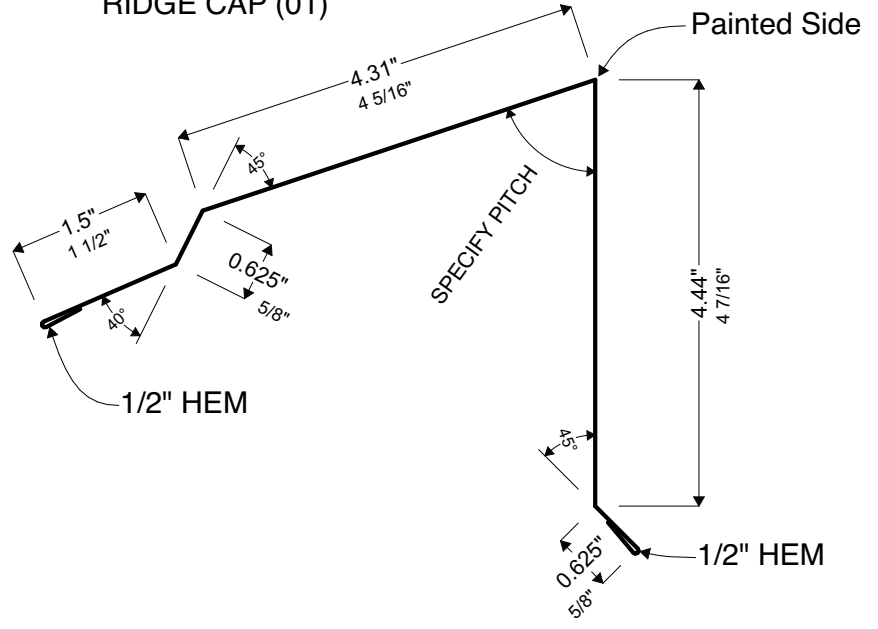
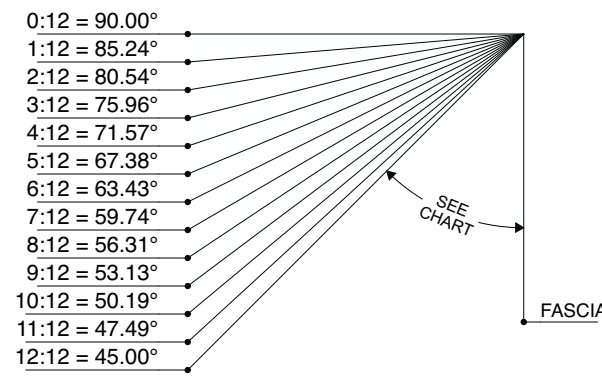
Metal Roofing, Siding, and Trim
 P: 208-565-3002
 www.ibexmetal.com
 info@ibexmetal.com
 282 Great Northern Road
 Bonners Ferry, ID 83805

FRACTIONS ROUNDED TO NEAREST 1/16"
 REVISED: 12/12/23

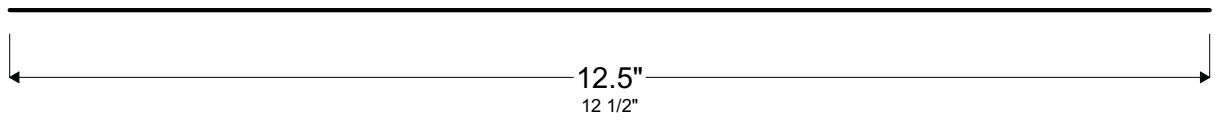
29 | 26 | 24 | 22

UPPER PROFILE MATCHES
 RIDGE CAP (01)

PEAK FLASHING ANGLES



A1 Profile Section Detail
 Scale: 6" = 1'-0"



B1 Profile Flat Width Required
 Scale: 6" = 1'-0"

TRIM 31
PROPERTY OF IBEX
 NOT FOR REPRODUCTION WITHOUT PRIOR
 WRITTEN PERMISSION OF IBEX METAL, LLC

Product ID :	31
Name :	PEAK FLASHING
Description :	Upper peak/eave flashing for single slope roof



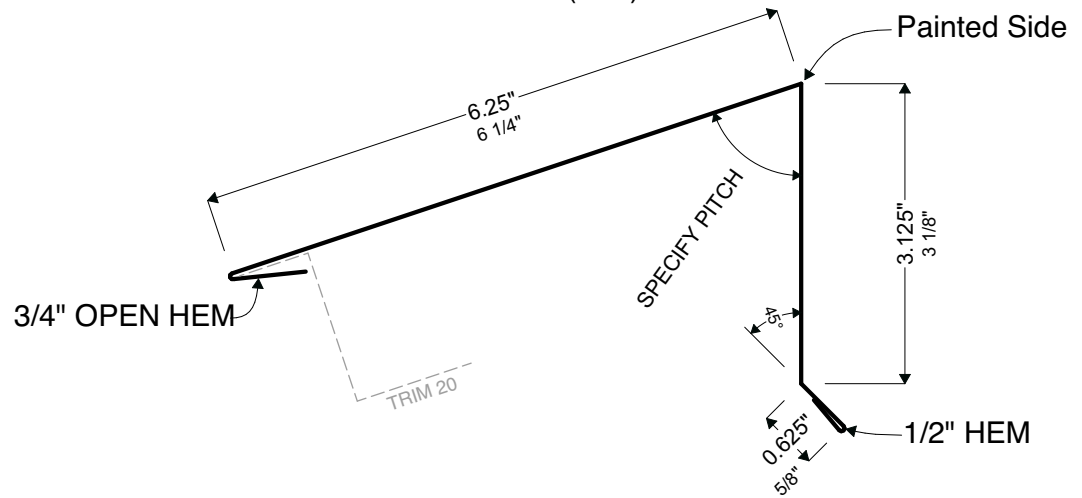
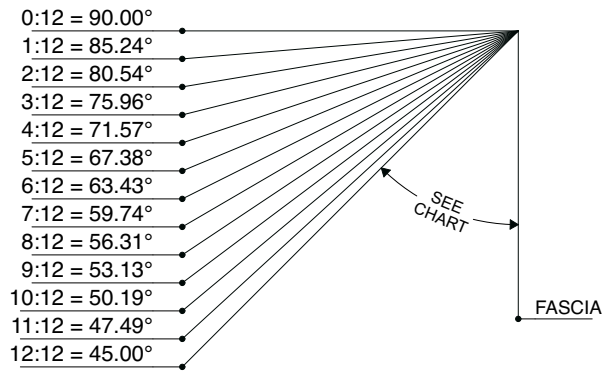
Metal Roofing, Siding, and Trim
 P: 208-565-3002
 www.ibexmetal.com
 info@ibexmetal.com
 282 Great Northern Road
 Bonners Ferry, ID 83805

FRACTIONS ROUNDED TO NEAREST 1/16"
 REVISED: 4/5/23

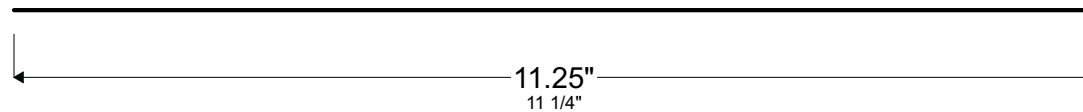
29 | 26 | 24 | 22

UPPER PROFILE MATCHES
 ARCH'L RIDGE CAP (01B)

PEAK FLASHING ANGLES



A1 Profile Section Detail
 Scale: 6" = 1'-0"



B1 Profile Flat Width Required
 Scale: 6" = 1'-0"

TRIM 31B

PROPERTY OF IBEX
 NOT FOR REPRODUCTION WITHOUT PRIOR
 WRITTEN CONSENT OF IBEX METAL, LLC

TRIM 31B

Product ID :	31B
Name :	ARCHITECTURAL PEAK FLASHING
Description :	Concealed fastener peak/eave flashing for single slope roof



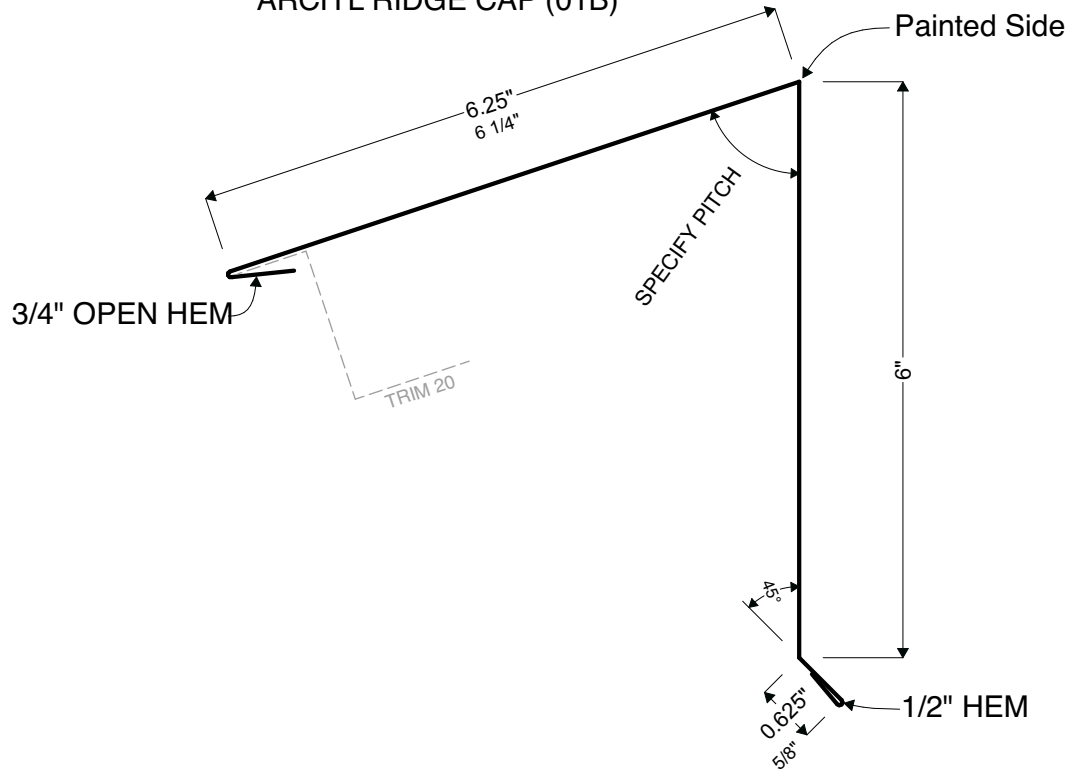
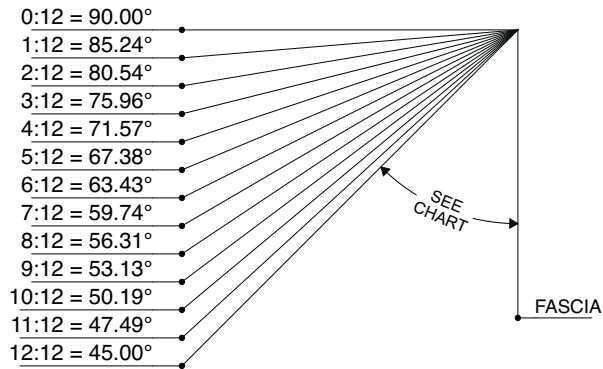
Metal Roofing, Siding, and Trim
 P: 208-565-3002
 www.ibexmetal.com
 info@ibexmetal.com
 282 Great Northern Road
 Bonners Ferry, ID 83805

FRACTIONS ROUNDED TO NEAREST 1/16"
 REVISED: 4/5/23

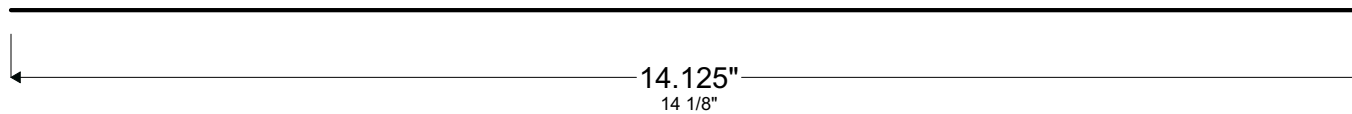
29 | 26 | 24 | 22

UPPER PROFILE MATCHES
 ARCH'L RIDGE CAP (01B)

PEAK FLASHING ANGLES



A1 Profile Section Detail
 Scale: 6" = 1'-0"



B1 Profile Flat Width Required
 Scale: 6" = 1'-0"

TRIM 31C PROPERTY OF IBEX NOT FOR REPRODUCTION WITHOUT PRIOR WRITTEN CONSENT OF IBEX METAL, LLC	TRIM 31C	
	Product ID :	31C
	Name :	JUMBO ARCH'L PEAK FLASHING
Description :	JUMBO concealed fastener peak/eave flashing for single slope roof	



Metal Roofing, Siding, and Trim
 P: 208-565-3002
 www.ibexmetal.com
 info@ibexmetal.com
 282 Great Northern Road
 Bonners Ferry, ID 83805

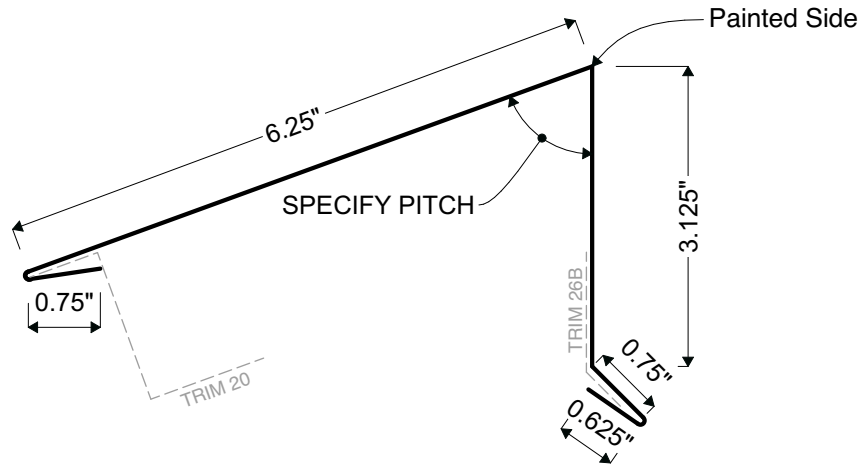
1

2

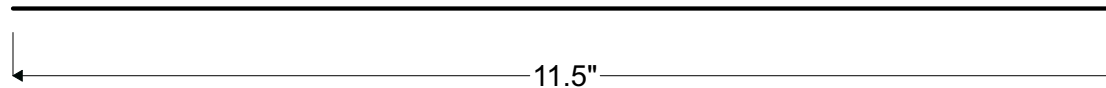
3

FRACTIONS ROUNDED TO NEAREST 1/16"
REVISED: *Work in Progress*

29 | 26 | 24 | 22



A **A1** Profile Section Detail
Scale: 6" = 1'-0"



B **B1** Profile Flat Width Required
Scale: 6" = 1'-0"

TRIM 31D

PROPERTY OF IBEX
NOT FOR REPRODUCTION WITHOUT PRIOR
WRITTEN CONSENT OF IBEX METAL, LLC

<i>Product ID :</i>	31D
<i>Name :</i>	ARCH'L PEAK FLASHING
<i>Description :</i>	3-Piece Fully Concealed Peak Flashing



IBEX

IDAHO'S BEST EXTERIORS

Metal Roofing, Siding, and Trim

P: 208-565-3002
www.ibexmetal.com
info@ibexmetal.com

282 Great Northern Road
Bonners Ferry, ID 83805

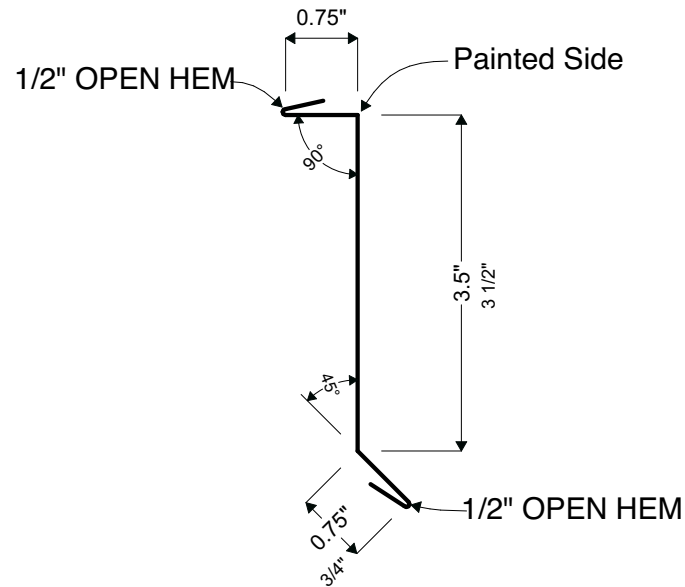
1

2

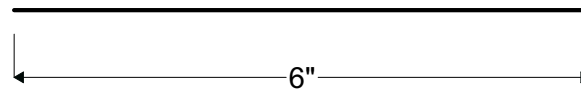
3

FRACTIONS ROUNDED TO NEAREST 1/16"
REVISED: 4/5/23

26 | 24 | 22



A1 Profile Section Detail
Scale: 6" = 1'-0"



B1 Profile Flat Width Required
Scale: 6" = 1'-0"

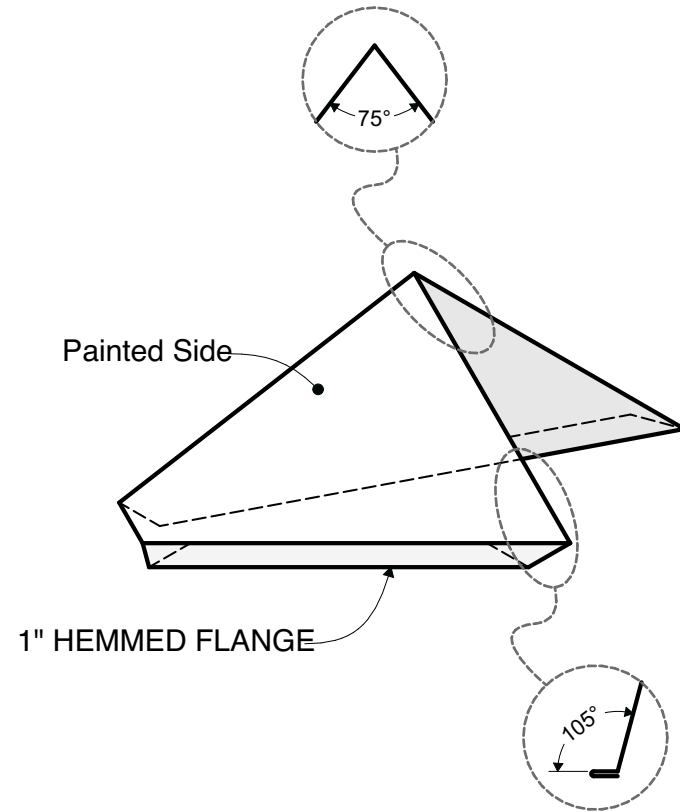
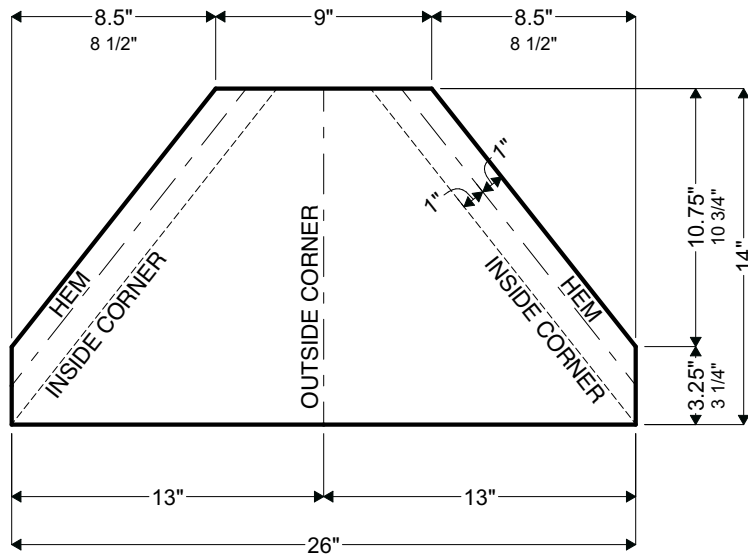
TRIM 32 PROPERTY OF IBEX NOT FOR REPRODUCTION WITHOUT PRIOR WRITTEN CONSENT OF IBEX METAL, LLC	TRIM 32
---	----------------

Product ID :	32
Name :	REGLET FLASHING
Description :	Counter-flashing for use at masonry chimney



Metal Roofing, Siding, and Trim
 P: 208-565-3002
 www.ibexmetal.com
 info@ibexmetal.com
 282 Great Northern Road
 Bonners Ferry, ID 83805

FRACTIONS ROUNDED TO NEAREST 1/16"
REVISED: 12/12/23



A1 Profile Section Detail
Scale: 1 1/2" = 1'-0"

TRIM 33 PROPERTY OF IBEX NOT FOR REPRODUCTION WITHOUT PRIOR WRITTEN CONSENT OF IBEX METAL, LLC	TRIM 33

Product ID :	33
Name :	SNOW DIVERTER
Description :	Snow Diverter



Metal Roofing, Siding, and Trim
 P: 208-565-3002
 www.ibexmetal.com
 info@ibexmetal.com
 282 Great Northern Road
 Bonners Ferry, ID 83805

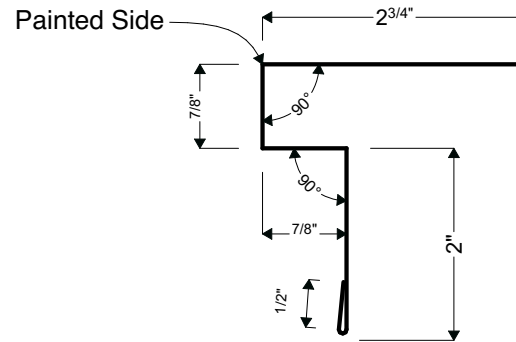
1

2

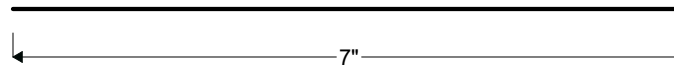
3

FRACTIONS ROUNDED TO NEAREST 1/16"
REVISED: *Work in Progress*

29 | 26 | 24 | 22



A	A1	Profile Section Detail Scale: 6" = 1'-0"	A
---	-----------	---	---



B	B1	Profile Flat Width Required Scale: 6" = 1'-0"	B
---	-----------	--	---

TRIM 34	TRIM 34
----------------	----------------

PROPERTY OF IBEX
NOT FOR REPRODUCTION WITHOUT PRIOR
WRITTEN CONSENT OF IBEX METAL, LLC

<i>Product ID :</i>	34
<i>Name :</i>	SOFFIT TRIM
<i>Description :</i>	Soffit Trim for 3/4" Siding and 3/4" Soffit



Metal Roofing, Siding, and Trim
P: 208-565-3002
www.ibexmetal.com
info@ibexmetal.com
282 Great Northern Road
Bonners Ferry, ID 83805

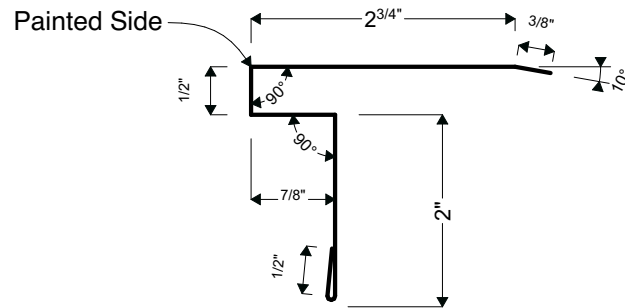
1

2

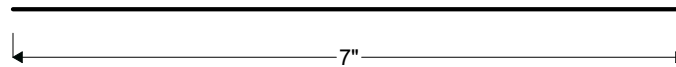
3

FRACTIONS ROUNDED TO NEAREST 1/16"
REVISED: *Work in Progress*

29 | 26 | 24 | 22



A1 Profile Section Detail
Scale: 6" = 1'-0"



B1 Profile Flat Width Required
Scale: 6" = 1'-0"

TRIM 34B	PROPERTY OF IBEX NOT FOR REPRODUCTION WITHOUT PRIOR WRITTEN CONSENT OF IBEX METAL, LLC
-----------------	---

<i>Product ID :</i>	34B
<i>Name :</i>	MINI SOFFIT TRIM
<i>Description :</i>	Soffit Trim for 3/4" Siding and Regular Soffit



Metal Roofing, Siding, and Trim
 P: 208-565-3002
 www.ibexmetal.com
 info@ibexmetal.com
 282 Great Northern Road
 Bonners Ferry, ID 83805

TRIM 34B

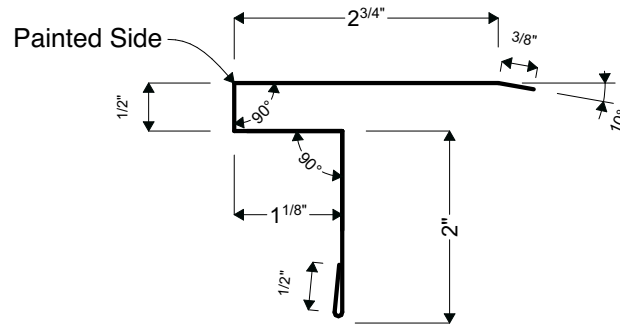
1

2

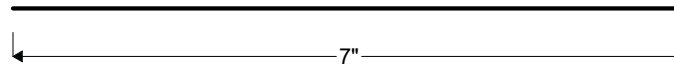
3

FRACTIONS ROUNDED TO NEAREST 1/16"
REVISED: *Work in Progress*

29 | 26 | 24 | 22



A1 Profile Section Detail
Scale: 6" = 1'-0"



B1 Profile Flat Width Required
Scale: 6" = 1'-0"

TRIM 34C PROPERTY OF IBEX NOT FOR REPRODUCTION WITHOUT PRIOR WRITTEN CONSENT OF IBEX METAL, LLC	TRIM 34C

<i>Product ID :</i>	34C
<i>Name :</i>	1" MINI SOFFIT TRIM
<i>Description :</i>	Soffit Trim for 1" Snaplock and Regular Soffit

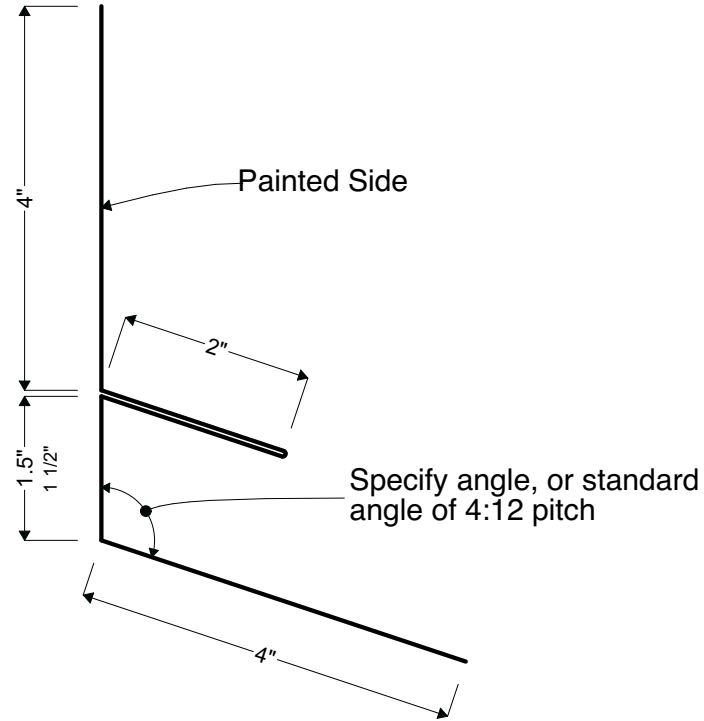
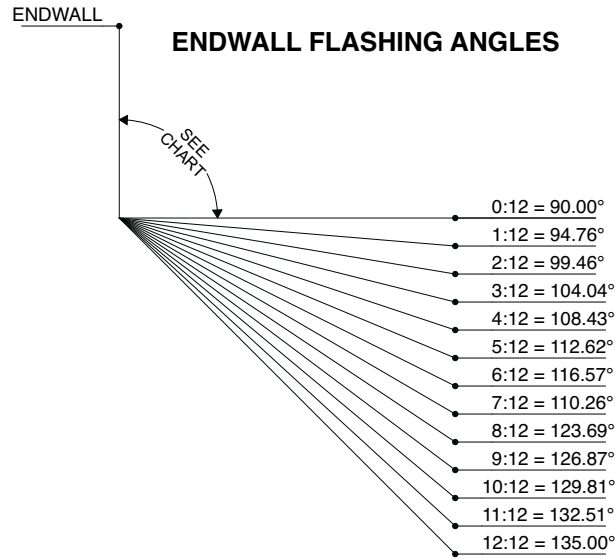


Metal Roofing, Siding, and Trim
 P: 208-565-3002
 www.ibexmetal.com
 info@ibexmetal.com
 282 Great Northern Road
 Bonners Ferry, ID 83805

TRIM 34C

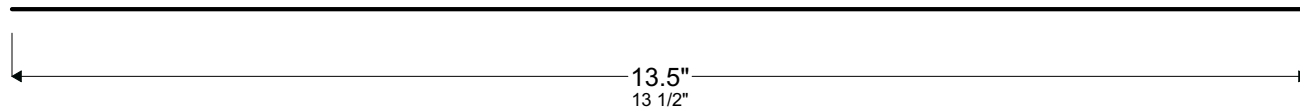
FRACTIONS ROUNDED TO NEAREST 1/16"
 REVISED: 4/5/23

26 | 24



ARCHITECTURAL SERIES

A **A1** Profile Section Detail
 Scale: 6" = 1'-0"



B **B1** Profile Flat Width Required
 Scale: 6" = 1'-0"

TRIM 50

PROPERTY OF IBEX
 NOT FOR REPRODUCTION WITHOUT PRIOR
 WRITTEN CONSENT OF IBEX METAL, LLC

TRIM 50

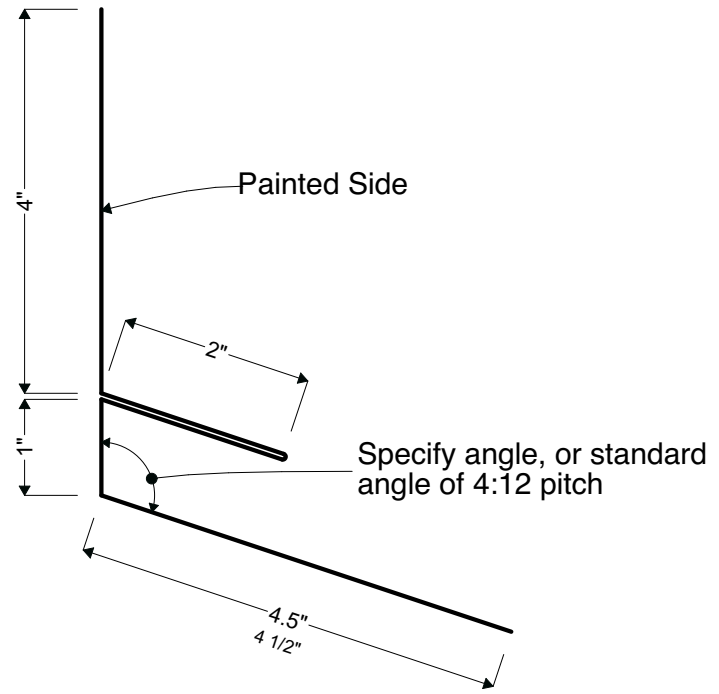
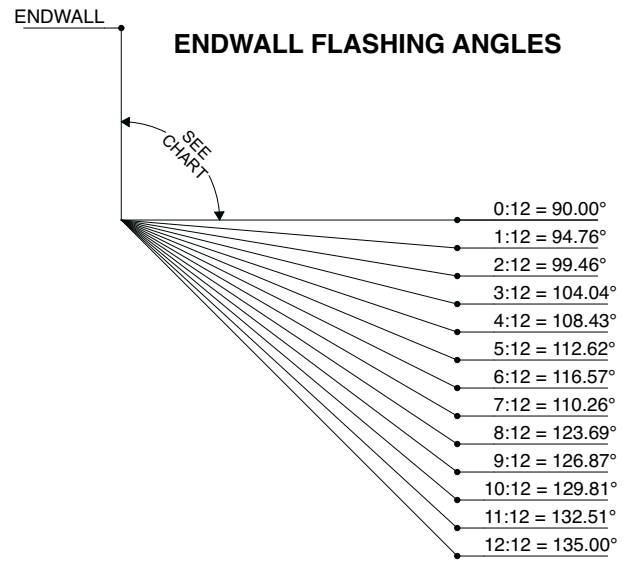
<i>Product ID :</i>	50
<i>Name :</i>	TRIM FIRST ENDWALL
<i>Description :</i>	Endwall Flashing for Concealed Fastener



Metal Roofing, Siding, and Trim
 P: 208-565-3002
 www.ibexmetal.com
 info@ibexmetal.com
 282 Great Northern Road
 Bonners Ferry, ID 83805

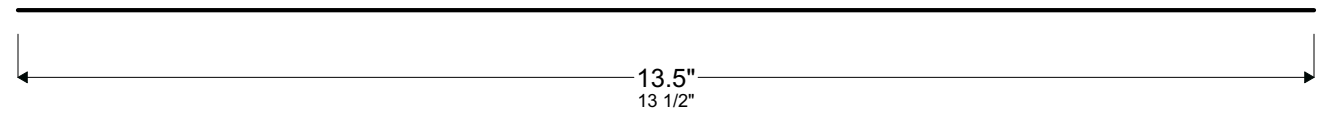
FRACTIONS ROUNDED TO NEAREST 1/16"
 REVISED: 7/18/23

26 | 24



ARCHITECTURAL SERIES

A1 Profile Section Detail
 Scale: 6" = 1'-0"



B1 Profile Flat Width Required
 Scale: 6" = 1'-0"

TRIM 50A
PROPERTY OF IBEX
 NOT FOR REPRODUCTION WITHOUT PRIOR
 WRITTEN PERMISSION OF IBEX METAL, LLC
TRIM 50A

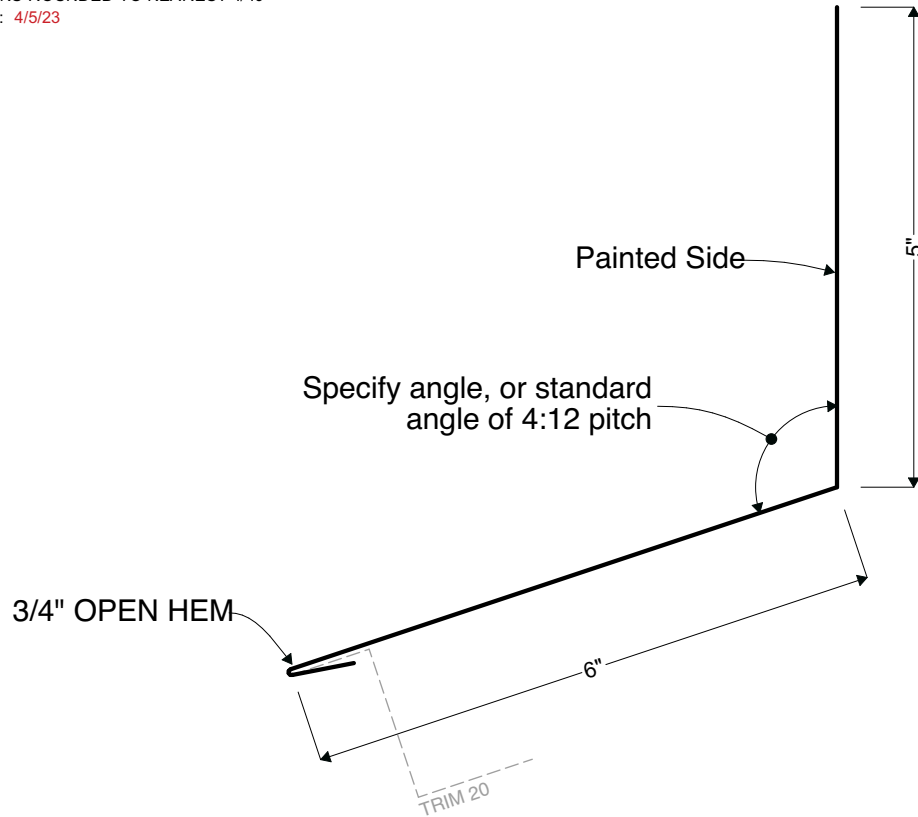
Product ID :	50A
Name :	1" TRIM FIRST ENDWALL
Description :	Endwall Flashing for 1" Concealed Fastener

IBEX

IDAHO'S BEST EXTERIORS

Metal Roofing, Siding, and Trim
 P: 208-565-3002
 www.ibexmetal.com
 info@ibexmetal.com
 282 Great Northern Road
 Bonners Ferry, ID 83805

FRACTIONS ROUNDED TO NEAREST 1/16"
 REVISED: 4/5/23



29 | 26 | 24 | 22

ENDWALL FLASHING ANGLES

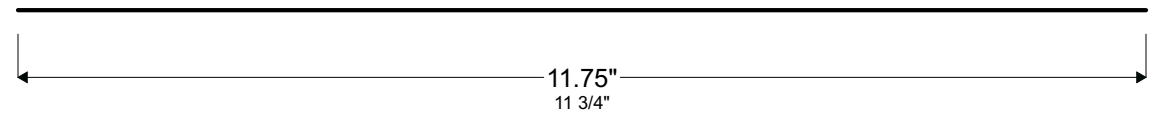
- 0:12 = 90.00°
- 1:12 = 94.76°
- 2:12 = 99.46°
- 3:12 = 104.04°
- 4:12 = 108.43°
- 5:12 = 112.62°
- 6:12 = 116.57°
- 7:12 = 110.26°
- 8:12 = 123.69°
- 9:12 = 126.87°
- 10:12 = 129.81°
- 11:12 = 132.51°
- 12:12 = 135.00°

SEE CHART

ENDWALL

ARCHITECTURAL SERIES

A1 Profile Section Detail
 Scale: 6" = 1'-0"



B1 Profile Flat Width Required
 Scale: 6" = 1'-0"

TRIM 50B PROPERTY OF IBEX NOT FOR REPRODUCTION WITHOUT PRIOR WRITTEN CONSENT OF IBEX METAL, LLC	TRIM 50B	Product ID :	50B
		Name :	STANDING SEAM ENDWALL
		Description :	Endwall Flashing for Concealed Fastener

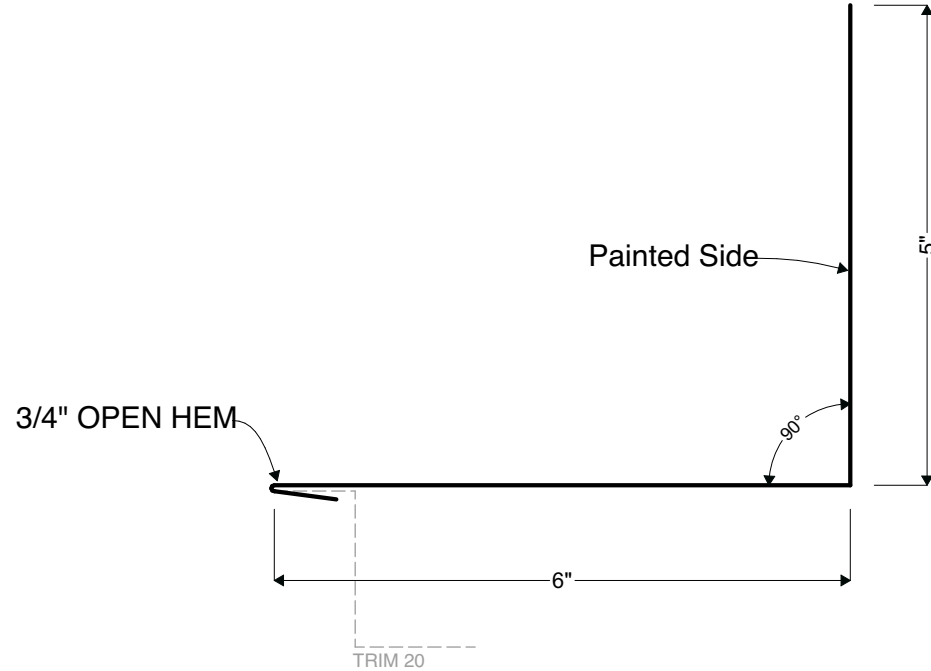


Metal Roofing, Siding, and Trim
 P: 208-565-3002
 www.ibexmetal.com
 info@ibexmetal.com
 282 Great Northern Road
 Bonners Ferry, ID 83805

1 2 3

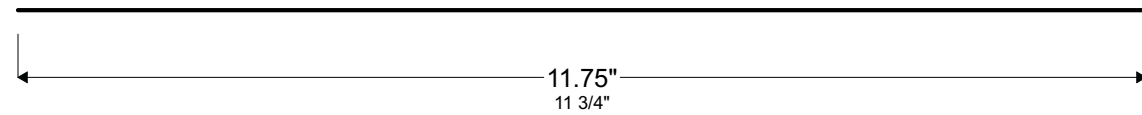
FRACTIONS ROUNDED TO NEAREST 1/16"
 REVISED: 4/5/23

29 | 26 | 24 | 22



ARCHITECTURAL SERIES

A **A1** Profile Section Detail
 Scale: 6" = 1'-0" A



B **B1** Profile Flat Width Required
 Scale: 6" = 1'-0" B

TRIM 50C
PROPERTY OF IBEX
 NOT FOR REPRODUCTION WITHOUT PRIOR
 WRITTEN CONSENT OF IBEX METAL, LLC
TRIM 50C

<i>Product ID :</i>	50C
<i>Name :</i>	STANDING SEAM SIDEWALL
<i>Description :</i>	Sidewall Flashing for Concealed Fastener



IBEX

IDAHO'S BEST EXTERIORS

Metal Roofing, Siding, and Trim

P: 208-565-3002
 www.ibexmetal.com
 info@ibexmetal.com

282 Great Northern Road
 Bonners Ferry, ID 83805

1

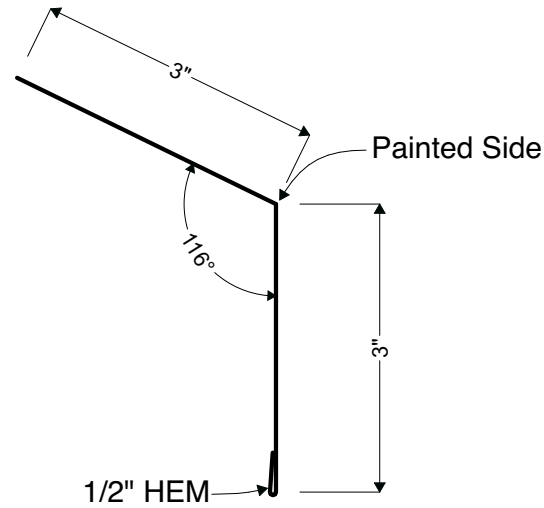
2

3

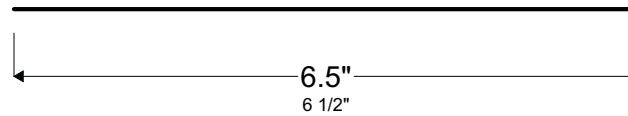
FRACTIONS ROUNDED TO NEAREST 1/16"
REVISED: 12/12/23

29 | 26 | 24 | 22

10'-6"



A1 Profile Section Detail
Scale: 6" = 1'-0"



B1 Profile Flat Width Required
Scale: 6" = 1'-0"

TRIM 60 PROPERTY OF IBEX NOT FOR REPRODUCTION WITHOUT PRIOR WRITTEN CONSENT OF IBEX METAL, LLC	TRIM 60

Product ID :	60
Name :	PINE HILL EAVE/GAMBREL TRIM
Description :	Eave or Gambrel flashing for roof



Metal Roofing, Siding, and Trim
 P: 208-565-3002
 www.ibexmetal.com
 info@ibexmetal.com
 282 Great Northern Road
 Bonners Ferry, ID 83805

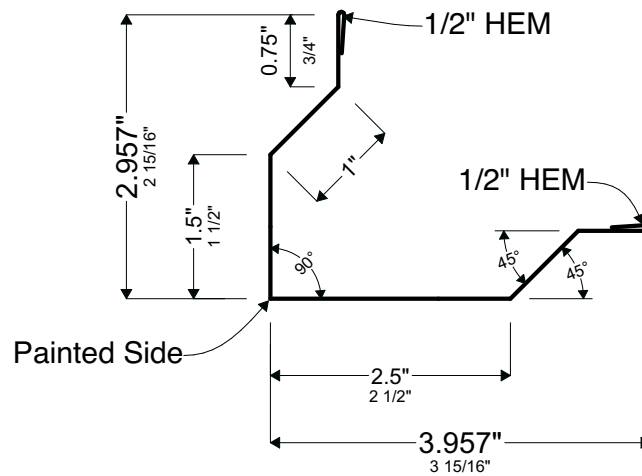
1

2

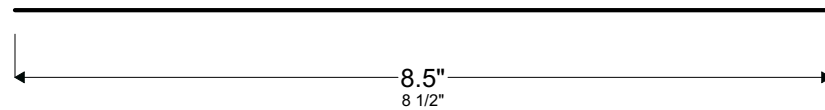
3

FRACTIONS ROUNDED TO NEAREST 1/16"
REVISED: 12/12/23

29 | 26 | 24 | 22



A **A1** Profile Section Detail
Scale: 6" = 1'-0"



B **B1** Profile Flat Width Required
Scale: 6" = 1'-0"

TRIM 61 PROPERTY OF IBEX NOT FOR REPRODUCTION WITHOUT PRIOR WRITTEN CONSENT OF IBEX METAL, LLC	TRIM 61
---	----------------

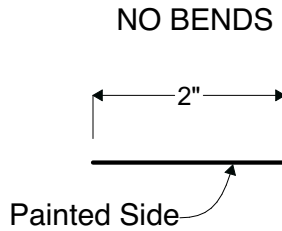
<i>Product ID :</i>	61
<i>Name :</i>	PINE HILL OUTSIDE CORNER
<i>Description :</i>	Outside Corner Trim (Pine Hill)



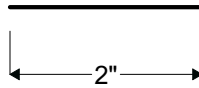
Metal Roofing, Siding, and Trim
 P: 208-565-3002
 www.ibexmetal.com
 info@ibexmetal.com
 282 Great Northern Road
 Bonners Ferry, ID 83805

FRACTIONS ROUNDED TO NEAREST 1/16"
 REVISED: 4/5/23

29 | 26 | 24 | 22



A	A1	Profile Section Detail Scale: 6" = 1'-0"	A
---	-----------	---	---



B	B1	Profile Flat Width Required Scale: 6" = 1'-0"	B
---	-----------	--	---

TRIM 62	TRIM 62
TRIM 62	TRIM 62

<i>Product ID :</i>	62
<i>Name :</i>	COLOR GUARD
<i>Description :</i>	Color Guard strip for "SS Color Guard"

 IBEX IDAHO'S BEST EXTERIORS	Metal Roofing, Siding, and Trim P: 208-565-3002 www.ibexmetal.com info@ibexmetal.com 282 Great Northern Road Bonners Ferry, ID 83805
---	---

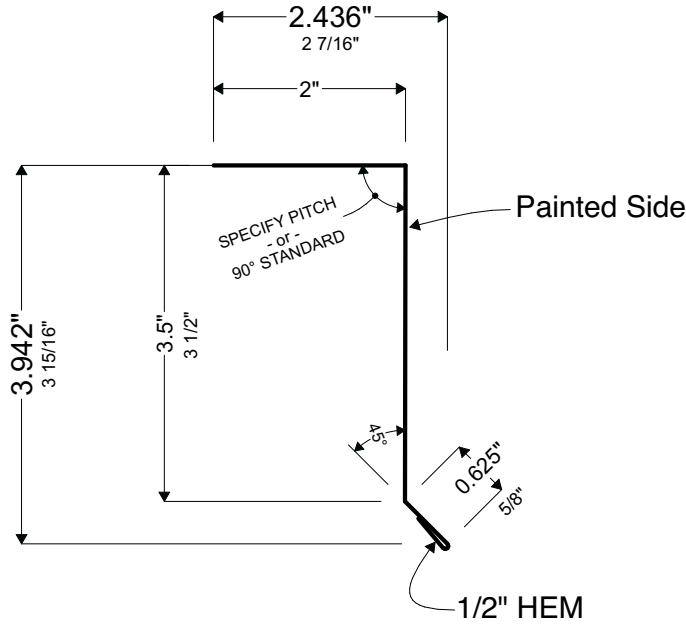
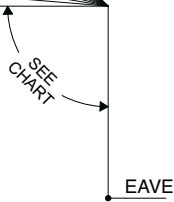
PROPERTY OF IBEX
 NOT FOR REPRODUCTION WITHOUT PRIOR
 WRITTEN CONSENT OF IBEX METAL, LLC

FRACTIONS ROUNDED TO NEAREST 1/16"
 REVISED: 7/18/23

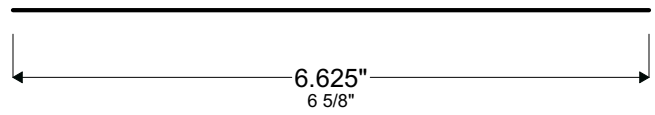
29 | 26 | 24 | 22

- 12:12 = 135.00°
- 11:12 = 132.51°
- 10:12 = 129.81°
- 9:12 = 126.87°
- 8:12 = 123.69°
- 7:12 = 110.26°
- 6:12 = 116.57°
- 5:12 = 112.62°
- 4:12 = 108.43°
- 3:12 = 104.04°
- 2:12 = 99.46°
- 1:12 = 94.76°
- 0:12 = 90.00°

EAVE FLASHING ANGLES



A **A1** Profile Section Detail
 Scale: 6" = 1'-0"



B **B1** Profile Flat Width Required
 Scale: 6" = 1'-0"

TRIM 63

PROPERTY OF IBEX
 NOT FOR REPRODUCTION WITHOUT PRIOR
 WRITTEN PERMISSION OF IBEX METAL, LLC

Product ID :	63
Name :	BEACHY BUILDING EAVE
Description :	Eave Trim (Beachy Buildings)

IBEX

IDAHO'S BEST EXTERIORS

Metal Roofing, Siding, and Trim
 P: 208-565-3002
 www.ibexmetal.com
 info@ibexmetal.com
 282 Great Northern Road
 Bonners Ferry, ID 83805

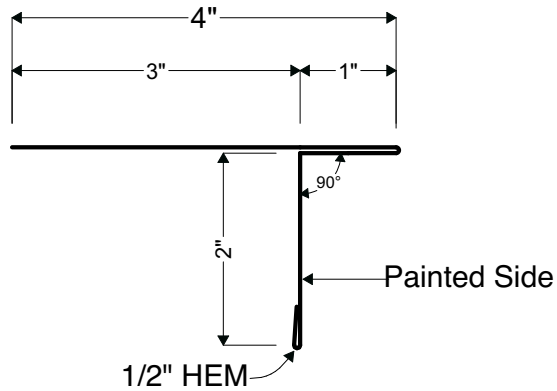
1

2

3

FRACTIONS ROUNDED TO NEAREST 1/16"
REVISED: 12/12/23

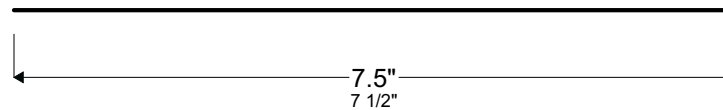
29 | 26 | 24 | 22



A

A1 Profile Section Detail
Scale: 6" = 1'-0"

A



B

B1 Profile Flat Width Required
Scale: 6" = 1'-0"

B

TRIM 64

PROPERTY OF IBEX
NOT FOR REPRODUCTION WITHOUT PRIOR
WRITTEN CONSENT OF IBEX METAL, LLC

<i>Product ID :</i>	64
<i>Name :</i>	ADEX ROOFING DRIP EDGE
<i>Description :</i>	Drip Edge for Concealed Fastener "D-style"



Metal Roofing, Siding, and Trim
 P: 208-565-3002
 www.ibexmetal.com
 info@ibexmetal.com
 282 Great Northern Road
 Bonners Ferry, ID 83805

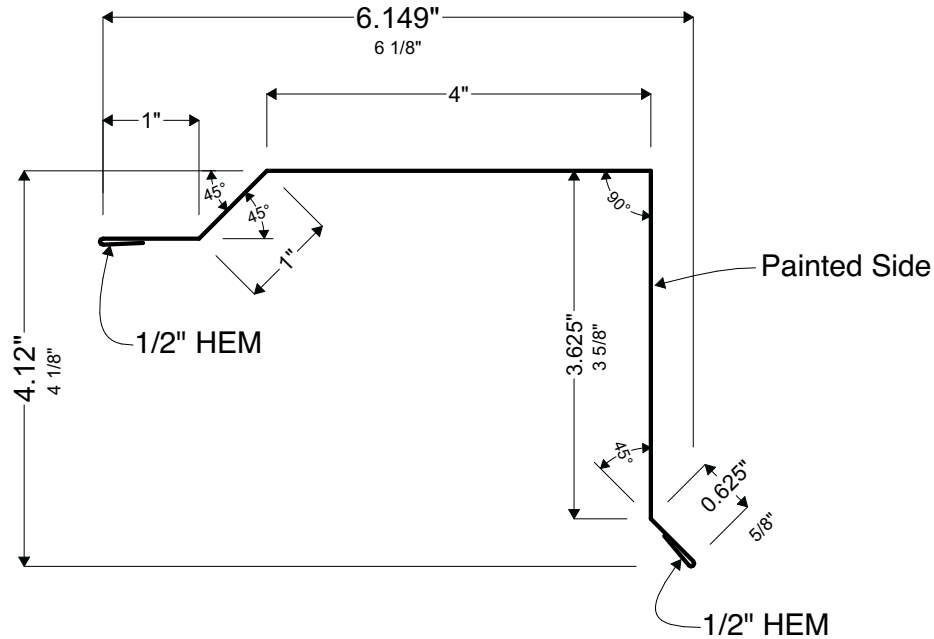
1

2

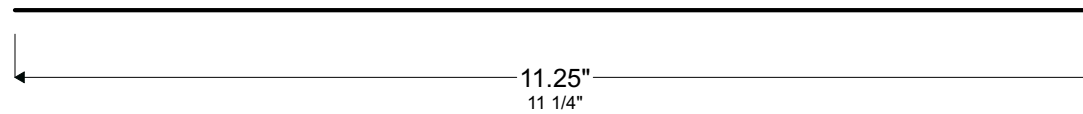
3

FRACTIONS ROUNDED TO NEAREST 1/16"
REVISED: 12/12/23

29 | 26 | 24 | 22



A1 Profile Section Detail
Scale: 6" = 1'-0"



B1 Profile Flat Width Required
Scale: 6" = 1'-0"

TRIM 65

PROPERTY OF IBEX
NOT FOR REPRODUCTION WITHOUT PRIOR
WRITTEN PERMISSION OF IBEX METAL, LLC

Product ID :	65
Name :	ADEX ROOFING GABLE
Description :	Gable End Flashing Trim (ADEX ROOFING)



Metal Roofing, Siding, and Trim
 P: 208-565-3002
 www.ibexmetal.com
 info@ibexmetal.com
 282 Great Northern Road
 Bonners Ferry, ID 83805

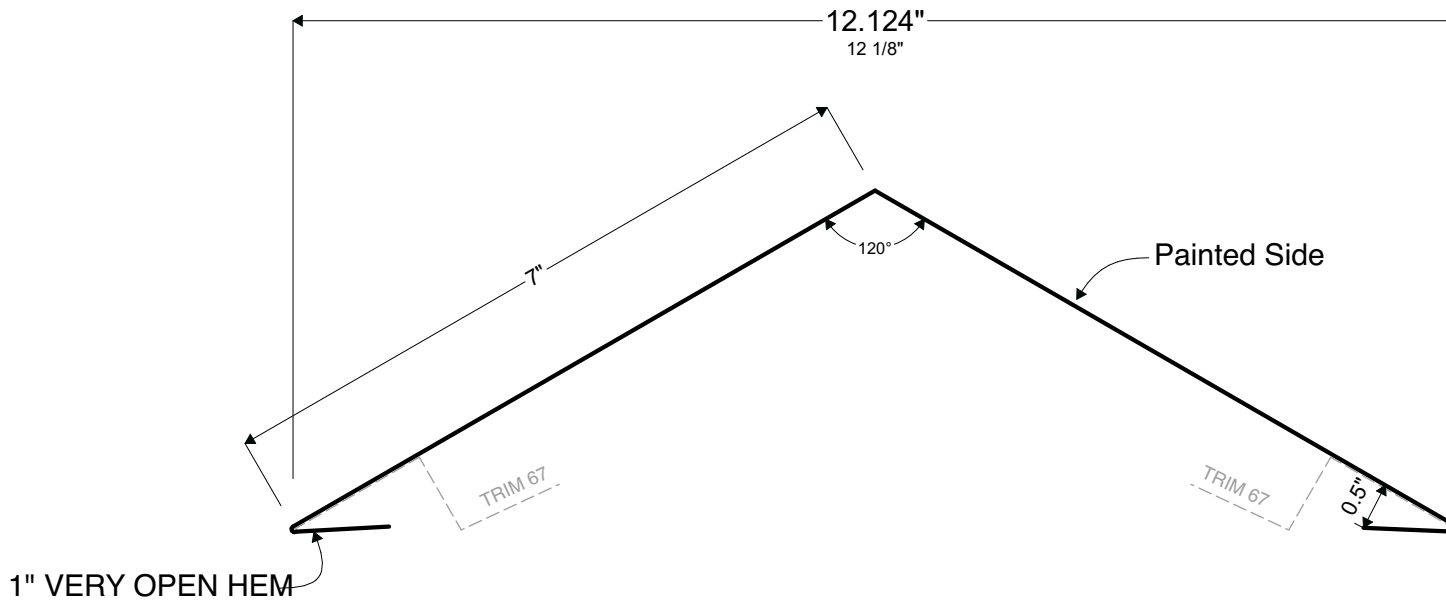
1

2

3

FRACTIONS ROUNDED TO NEAREST 1/16"
REVISED: 12/12/23

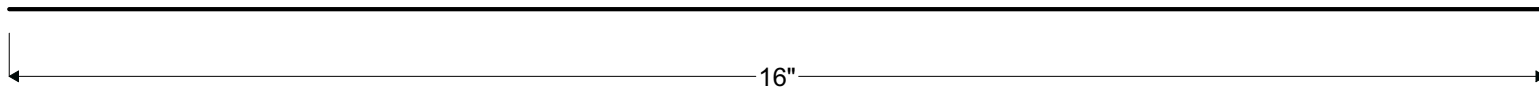
29 | 26 | 24 | 22



A

A1 Profile Section Detail
Scale: 6" = 1'-0"

A



B

B1 Profile Flat Width Required
Scale: 6" = 1'-0"

B

TRIM 66 PROPERTY OF IBEX NOT FOR REPRODUCTION WITHOUT PRIOR WRITTEN CONSENT OF IBEX METAL, LLC	TRIM 66

Product ID :	66
Name :	ADEX ROOFING RIDGE
Description :	Concealed Fastener Ridge (ADEX ROOFING)



Metal Roofing, Siding, and Trim
 P: 208-565-3002
 www.ibexmetal.com
 info@ibexmetal.com
 282 Great Northern Road
 Bonners Ferry, ID 83805

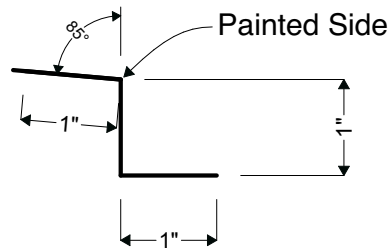
1

2

3

FRACTIONS ROUNDED TO NEAREST 1/16"
REVISED: 12/12/23

29 | 26 | 24 | 22



A **A1** Profile Section Detail
Scale: 6" = 1'-0"

B **B1** Profile Flat Width Required
Scale: 6" = 1'-0"

TRIM 67

Product ID : 67

Name : ADEX Z TRIM

Description : Z Trim (ADEX ROOFING)



Metal Roofing, Siding, and Trim

P: 208-565-3002
www.ibexmetal.com
info@ibexmetal.com

282 Great Northern Road
Bonners Ferry, ID 83805

PROPERTY OF IBEX
NOT FOR REPRODUCTION WITHOUT PRIOR
WRITTEN CONSENT OF IBEX METAL, LLC
TRIM 67

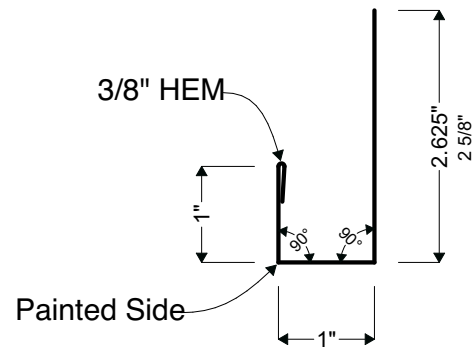
1

2

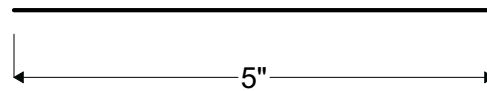
3

FRACTIONS ROUNDED TO NEAREST 1/16"
REVISED: 12/12/23

29 | 26 | 24 | 22



A **A1** Profile Section Detail
Scale: 6" = 1'-0"



B **B1** Profile Flat Width Required
Scale: 6" = 1'-0"

TRIM 79

PROPERTY OF IBEX
NOT FOR REPRODUCTION WITHOUT PRIOR
WRITTEN CONSENT OF IBEX METAL, LLC

<i>Product ID :</i>	79
<i>Name :</i>	INTEGRITY POLE BUILDING J CHANNEL
<i>Description :</i>	J-Channel Trim: Integrity Pole Building

IBEX

IDAHO'S BEST EXTERIORS

Metal Roofing, Siding, and Trim
P: 208-565-3002
www.ibexmetal.com
info@ibexmetal.com
282 Great Northern Road
Bonners Ferry, ID 83805

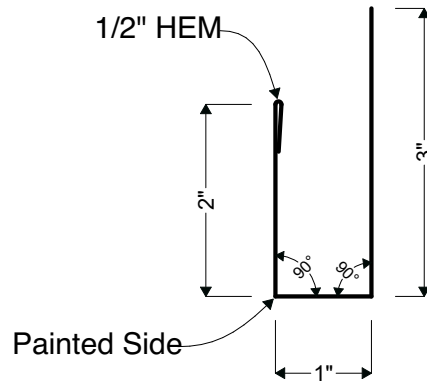
1

2

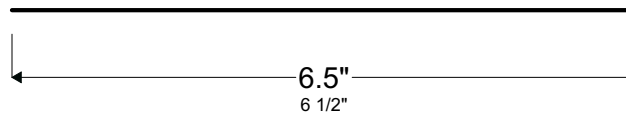
3

FRACTIONS ROUNDED TO NEAREST 1/16"
REVISED: 12/12/23

29 | 26 | 24 | 22



A **A1** Profile Section Detail
Scale: 6" = 1'-0"



B **B1** Profile Flat Width Required
Scale: 6" = 1'-0"

TRIM 80

PROPERTY OF IBEX
NOT FOR REPRODUCTION WITHOUT PRIOR
WRITTEN CONSENT OF IBEX METAL, LLC

TRIM 80

Product ID :	80
Name :	SSA SOFFIT - C METAL
Description :	

IBEX

IDAHO'S BEST EXTERIORS

Metal Roofing, Siding, and Trim

P: 208-565-3002
www.ibexmetal.com
info@ibexmetal.com

282 Great Northern Road
Bonners Ferry, ID 83805

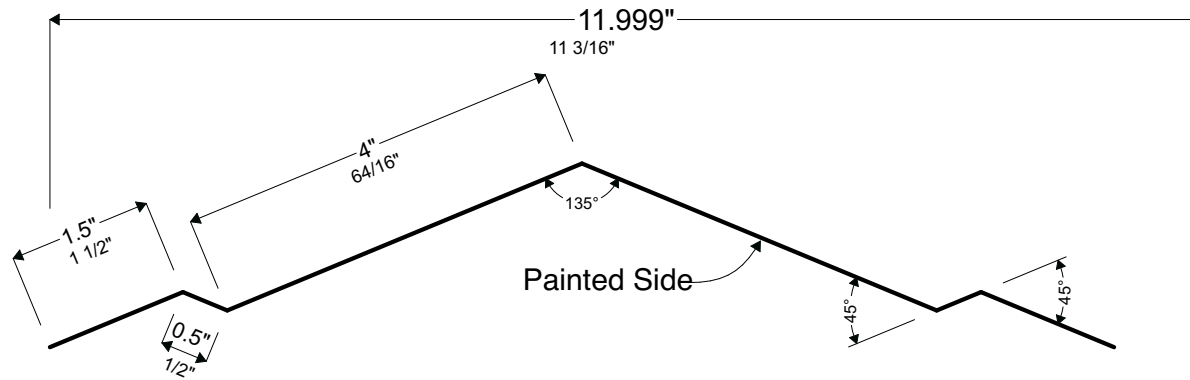
1

2

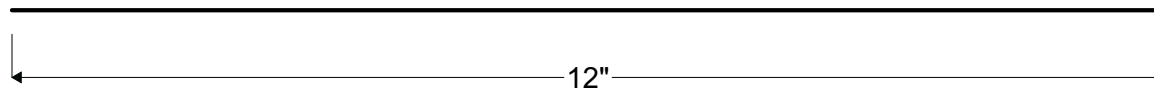
3

FRACTIONS ROUNDED TO NEAREST 1/16"
REVISED: 7/18/23

29 | 26 | 24 | 22



A **A1** Profile Section Detail
Scale: 6" = 1'-0"



B **B1** Profile Flat Width Required
Scale: 6" = 1'-0"

TRIM 81

PROPERTY OF IBEX
NOT FOR REPRODUCTION WITHOUT PRIOR WRITTEN CONSENT OF IBEX METAL, LLC

TRIM 81

Product ID :	81
Name :	SSA SOFFIT RIDGE
Description :	

IBEX

IDAHO'S BEST EXTERIORS

Metal Roofing, Siding, and Trim

P: 208-565-3002
www.ibexmetal.com
info@ibexmetal.com

282 Great Northern Road
Bonners Ferry, ID 83805

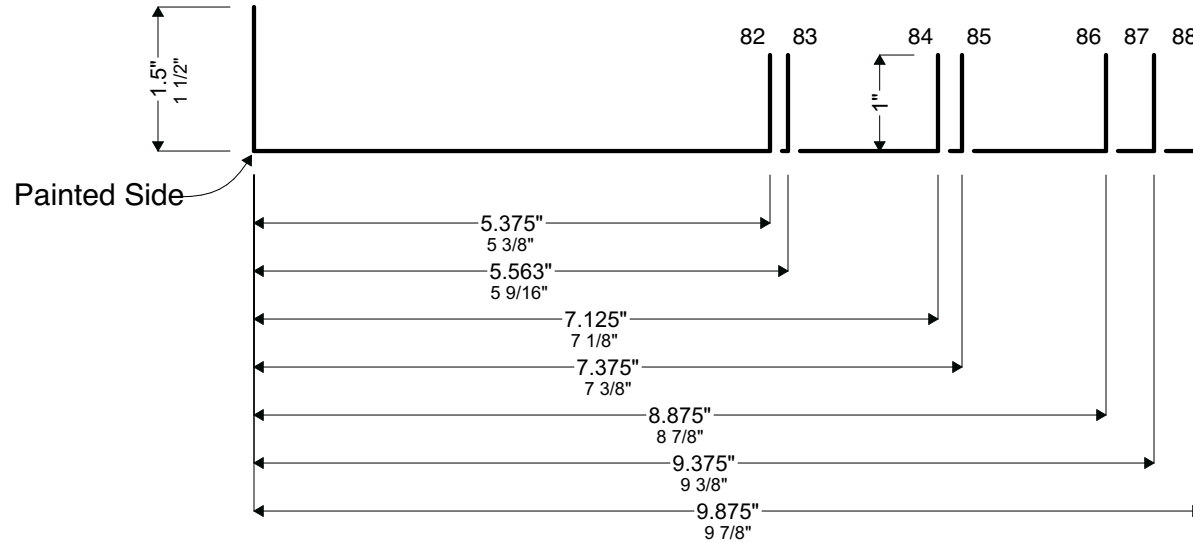
1

2

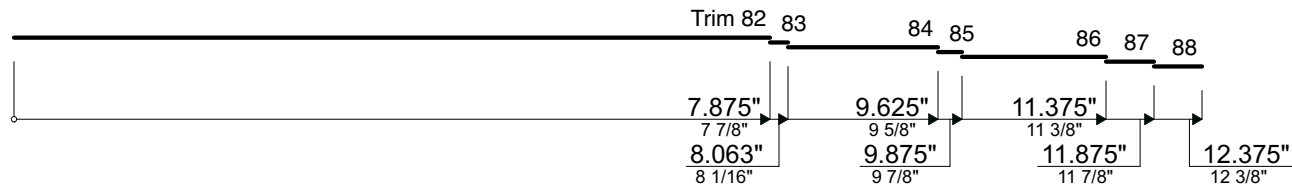
3

FRACTIONS ROUNDED TO NEAREST 1/16"
REVISED: 12/12/23

29 | 26 | 24 | 22



A1 Profile Section Detail
Scale: 6" = 1'-0"



B1 Profile Flat Width Required
Scale: 6" = 1'-0"

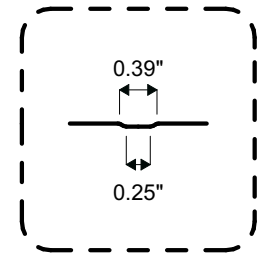
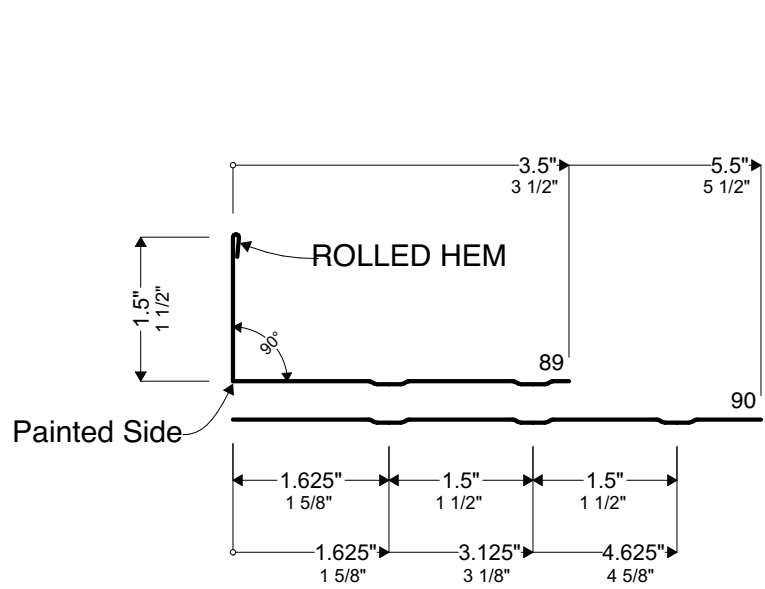
TRIM 82 - 88 NOT FOR REPRODUCTION WITHOUT PRIOR WRITTEN PERMISSION OF IBEX METAL, LLC PROPERTY OF IBEX	TRIM 82 - 88

<i>Product ID :</i>	82 - 88
<i>Name :</i>	SSA DOOR JAMB
<i>Description :</i>	



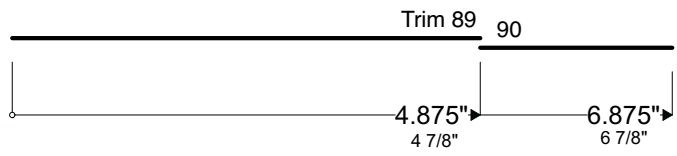
Metal Roofing, Siding, and Trim
 P: 208-565-3002
 www.ibexmetal.com
 info@ibexmetal.com
 282 Great Northern Road
 Bonners Ferry, ID 83805

FRACTIONS ROUNDED TO NEAREST 1/16"
 REVISED: 12/12/23



29 | 26

A1 Profile Section Detail
 Scale: 6" = 1'-0"



B1 Profile Flat Width Required
 Scale: 6" = 1'-0"

TRIM 89, 90
 PROPERTY OF IBEX
 NOT FOR REPRODUCTION WITHOUT PRIOR
 WRITTEN CONSENT OF IBEX METAL, LLC

Product ID :	89, 90
Name :	SSA RIBBED FASCIA
Description :	Rolled Fascia Trim (SSA)

IBEX

IDAHO'S BEST EXTERIORS

Metal Roofing, Siding, and Trim

P: 208-565-3002
 www.ibexmetal.com
 info@ibexmetal.com

282 Great Northern Road
 Bonners Ferry, ID 83805

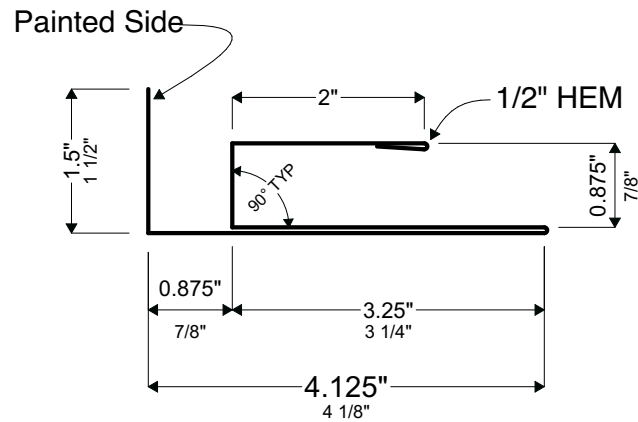
1

2

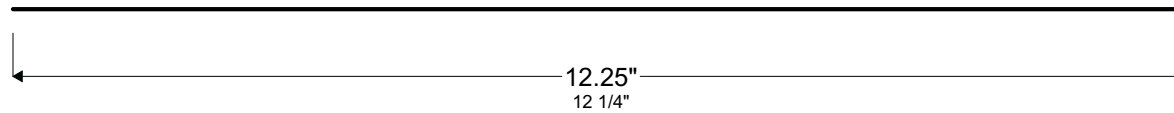
3

FRACTIONS ROUNDED TO NEAREST 1/16"
REVISED: 12/12/23

29 | 26 | 24 | 22



A1 Profile Section Detail
Scale: 6" = 1'-0"



B1 Profile Flat Width Required
Scale: 6" = 1'-0"

TRIM 91 PROPERTY OF IBEX NOT FOR REPRODUCTION WITHOUT PRIOR WRITTEN PERMISSION OF IBEX METAL, LLC	TRIM 91
--	----------------

Product ID :	91
Name :	SSA 2" FJ TRIM
Description :	FJ Trim with 2" exposed face



Metal Roofing, Siding, and Trim
 P: 208-565-3002
 www.ibexmetal.com
 info@ibexmetal.com
 282 Great Northern Road
 Bonners Ferry, ID 83805

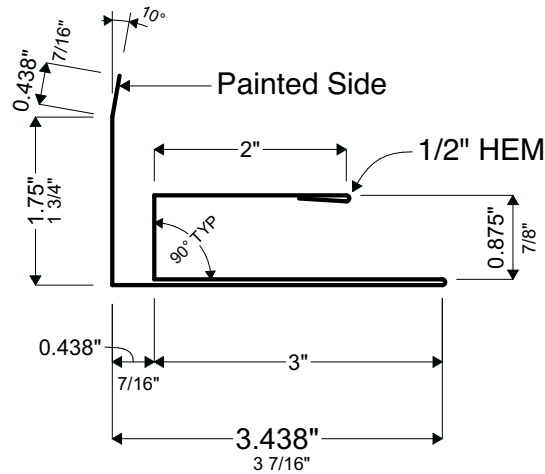
1

2

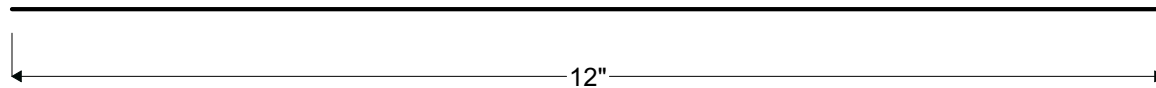
3

FRACTIONS ROUNDED TO NEAREST 1/16"
REVISED: 12/12/23

29 | 26 | 24 | 22



A1 Profile Section Detail
Scale: 6" = 1'-0"



B1 Profile Flat Width Required
Scale: 6" = 1'-0"

TRIM 92

PROPERTY OF IBEX
NOT FOR REPRODUCTION WITHOUT PRIOR
WRITTEN CONSENT OF IBEX METAL, LLC

Product ID :	92
Name :	SSA 2" MINI FJ TRIM
Description :	FJ Trim for Soffit with 2" exposed face



Metal Roofing, Siding, and Trim
 P: 208-565-3002
 www.ibexmetal.com
 info@ibexmetal.com
 282 Great Northern Road
 Bonners Ferry, ID 83805

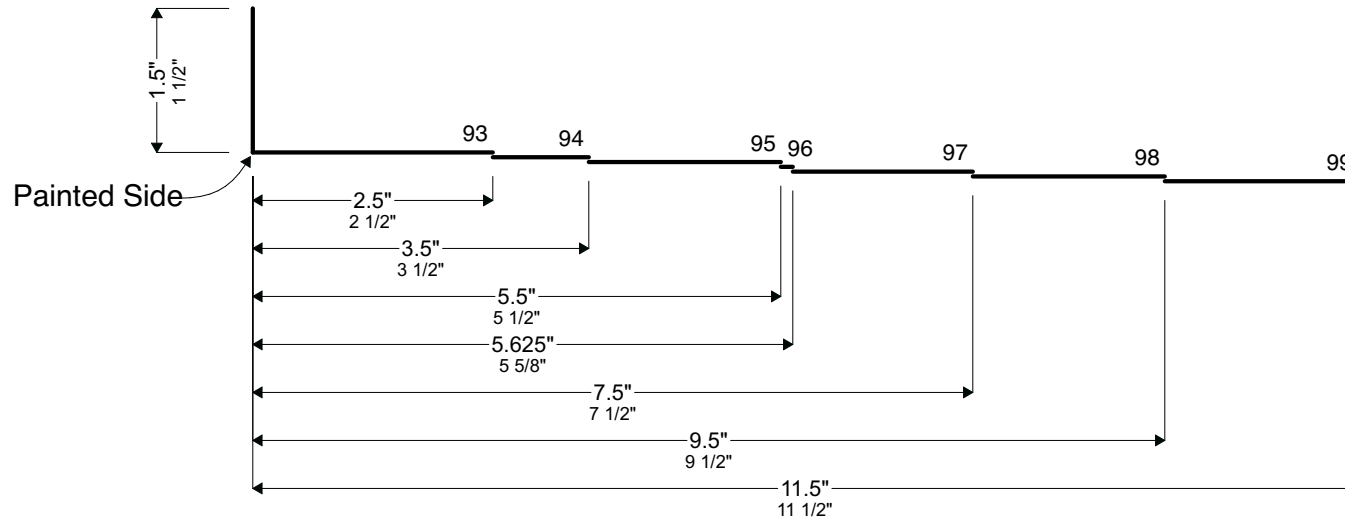
1

2

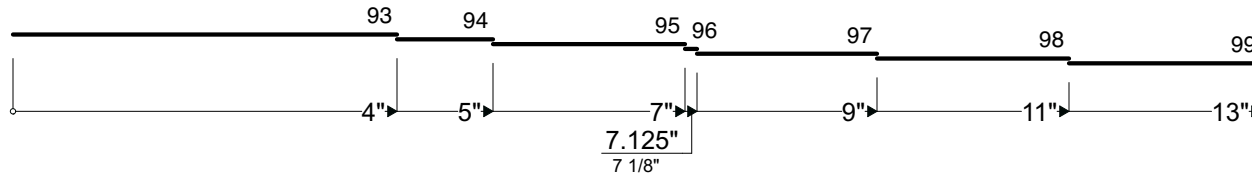
3

FRACTIONS ROUNDED TO NEAREST 1/16"
REVISED: 12/12/23

29 | 26 | 24 | 22



A1 Profile Section Detail
Scale: 6" = 1'-0"



B1 Profile Flat Width Required
Scale: 6" = 1'-0"

TRIM 93 - 99

Product ID : 93, 94, 95, 96, 97, 98, 99

Name : SSA OPEN JAMB

Description :



Metal Roofing, Siding, and Trim

P: 208-565-3002
www.ibexmetal.com
info@ibexmetal.com

282 Great Northern Road
Bonners Ferry, ID 83805

TRIM 93 - 99

PROPERTY OF IBEX
NOT FOR REPRODUCTION WITHOUT PRIOR
WRITTEN PERMISSION OF IBEX METAL, LLC